

Excellent Integrated System Limited

Stocking Distributor

Click to view price, real time Inventory, Delivery & Lifecycle Information:

[BUD Industries, Inc.](#)
[CN-5714](#)

For any questions, you can email us directly:

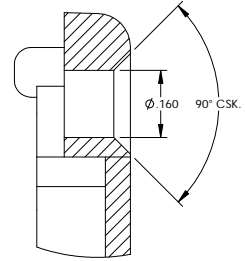
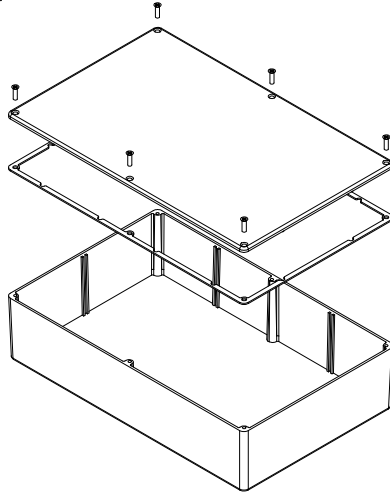
sales@integrated-circuit.com

THE INFORMATION CONTAINED IN THIS DRAWING IS THE SOLE PROPERTY OF BUD INDUSTRIES INC. ANY REPRODUCTION IN PART OR WHOLE WITHOUT THE WRITTEN PERMISSION OF BUD INDUSTRIES INC. IS PROHIBITED.

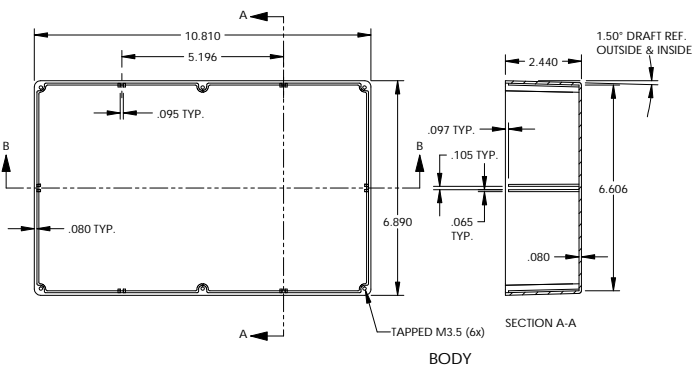
CN-5714	
ISSUE	REVISIONS

MATERIAL - ALUMINUM ALLOY #ADC-12
 FINISH - NATURAL (CONTACT BUD FACTORY FOR ALTERNATE FINISHES)
 GASKET - RATED IP65 NEOPRENE, SELF-ADHESIVE, 3mm THICK, COLOR BLACK
 SCREWS - STAINLESS STEEL, M3.5 x 12mm LG., CSK. HEAD, SELF-THREADING

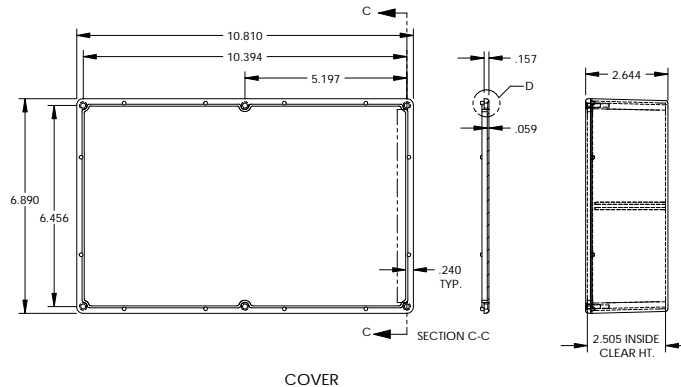
ALL HOLE DIAMETERS HAVE ±.005 TOLERANCE.
 ALL OTHER DIMENSIONS HAVE ±.015 TOLERANCE.
 ENCLOSURES ARE SHIPPED UNASSEMBLED WITH ALL ITEMS SHOWN.



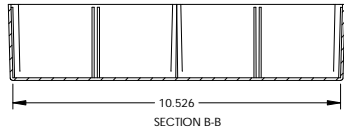
DETAIL D
SCALE 6:1



BODY



COVER



PARTS LIST		BUD INDUSTRIES INC.	
REV. NO.	DATE	APP. NO.	ISSUE
AS NOTED	AS NOTED	DAB	3-31-06
AS NOTED		DIE CAST ALUMINUM ENCLOSURE	
REV. NO.	DATE	APP. NO.	ISSUE
C			CN-5714
SCALE	CAD FILE	DESK	DE

QTY	USED ON	DO NOT SCALE DRAWING