

Excellent Integrated System Limited

Stocking Distributor

Click to view price, real time Inventory, Delivery & Lifecycle Information:

[BUD Industries, Inc.](#)
[CN-6705](#)

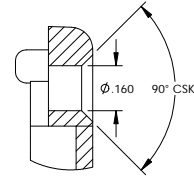
For any questions, you can email us directly:

sales@integrated-circuit.com

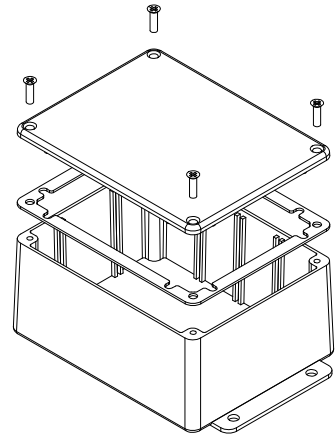
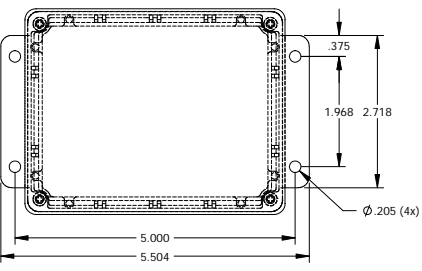
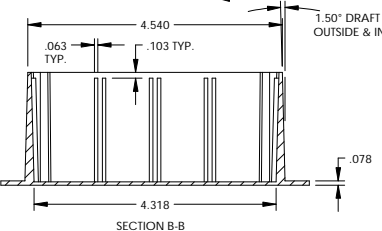
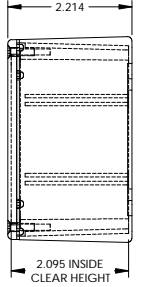
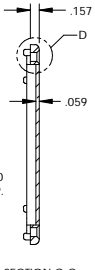
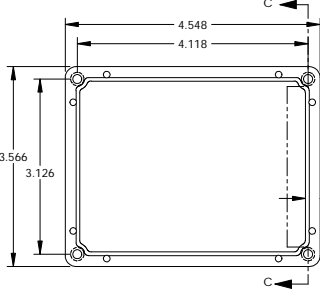
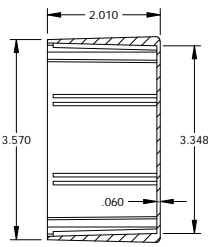
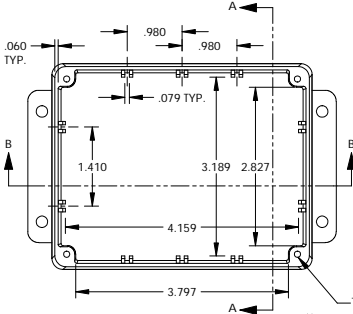
THE INFORMATION CONTAINED IN THIS DRAWING IS THE SOLE PROPERTY OF BUD INDUSTRIES INC. ANY REPRODUCTION IN PART OR WHOLE WITHOUT THE WRITTEN PERMISSION OF BUD INDUSTRIES INC. IS PROHIBITED.

MATERIAL - ALUMINUM ALLOY #ADC-12
FINISH - NATURAL (CONTACT BUD FACTORY FOR ALTERNATE FINISHES)
GASKET - RATED IP65 NEOPRENE, SELF-ADHESIVE, 3mm THICK, COLOR BLACK
SCREWS - STAINLESS STEEL, M3.5 x 12mm LG., CSK. HEAD, SELF-THREADING

ALL HOLE DIAMETERS HAVE $\pm .005$ TOLERANCE.
ALL OTHER DIMENSIONS HAVE $\pm .015$ TOLERANCE.
ENCLOSURES ARE SHIPPED UNASSEMBLED WITH ALL ITEMS SHOWN.



CN-6705	
ISSUE	REVISIONS



COVER

PARTS LIST			
QTY	USED ON	REV	REV

QTY	USED ON	REV	REV

QTY	USED ON	REV	REV

BUD INDUSTRIES INC.
DIE CAST ALUMINUM ENCLOSURE

QTY USED ON REV REV

AS NOTED APPROVED

DATE CAD FILE