

Excellent Integrated System Limited

Stocking Distributor

Click to view price, real time Inventory, Delivery & Lifecycle Information:

[BUD Industries, Inc.](#)
[CN-6707](#)

For any questions, you can email us directly:

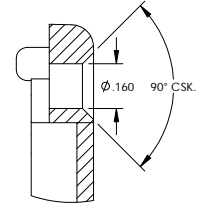
sales@integrated-circuit.com

THE INFORMATION CONTAINED IN THIS DRAWING IS THE SOLE PROPERTY OF BUD INDUSTRIES INC. ANY REPRODUCTION IN PART OR WHOLE WITHOUT THE WRITTEN PERMISSION OF BUD INDUSTRIES INC. IS PROHIBITED.

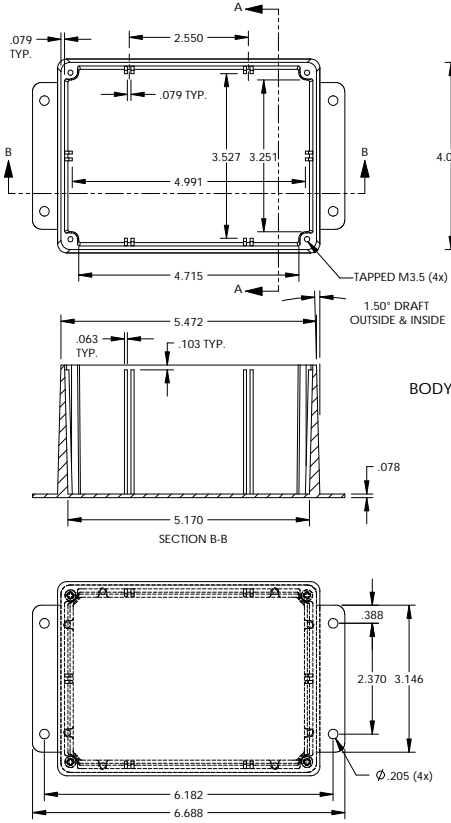
MATERIAL - ALUMINUM ALLOY #ADC-12
 FINISH - NATURAL (CONTACT BUD FACTORY FOR ALTERNATE FINISHES)
 GASKET - RATED IP65 NEOPRENE, SELF-ADHESIVE, 3mm THICK, COLOR BLACK
 SCREWS - STAINLESS STEEL, M3.5 x 12mm LG., CSK. HEAD, SELF-THREADING

ALL HOLE DIAMETERS HAVE $\pm .005$ TOLERANCE.
 ALL OTHER DIMENSIONS HAVE $\pm .015$ TOLERANCE.
 ENCLOSURES ARE SHIPPED UNASSEMBLED WITH ALL ITEMS SHOWN.

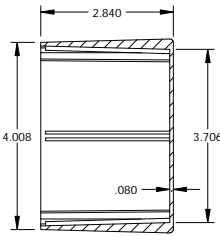
PART NO. CN-6707	
ISSUE	REVISIONS



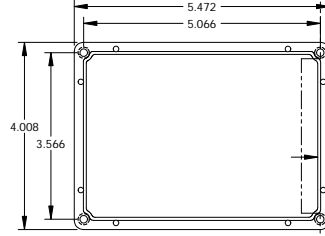
DETAIL D
SCALE 4 : 1



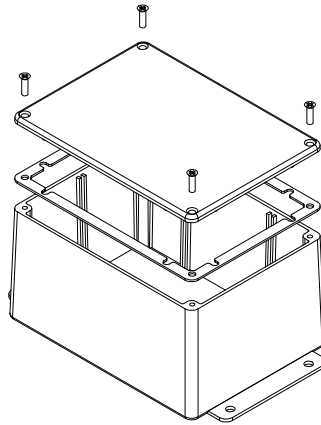
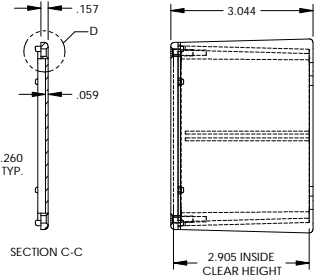
BODY



SECTION A-A



COVER



PARTS LIST			
REV. 005 BETWEEN HOLE CENTERS	DATE GENERATED DRAWING:	BUD INDUSTRIES INC.	
REV. 010 BETWEEN HOLE EDGE	DATE REVISIONS ISSUED:	DIE CAST ALUMINUM ENCLOSURE	
REV. 020 FROM A BENT SURFACE	APPROVAL: DAB	DATE: 4-3-06	
REV. 030 BETWEEN ANGLE/BLIND	DESIGNED:		
REV. 040 BETWEEN ANGLE/BLIND	CHECKED:		
REV. 050 BETWEEN ANGLE/BLIND	APPROVED:		
REV. 060 BETWEEN ANGLE/BLIND	AS NOTED		
REV. 070 BETWEEN ANGLE/BLIND	AS NOTED		
REV. 080 BETWEEN ANGLE/BLIND	AS NOTED		
REV. 090 BETWEEN ANGLE/BLIND	AS NOTED		
REV. 100 BETWEEN ANGLE/BLIND	AS NOTED		
REV. 110 BETWEEN ANGLE/BLIND	AS NOTED		
REV. 120 BETWEEN ANGLE/BLIND	AS NOTED		
REV. 130 BETWEEN ANGLE/BLIND	AS NOTED		
REV. 140 BETWEEN ANGLE/BLIND	AS NOTED		
REV. 150 BETWEEN ANGLE/BLIND	AS NOTED		
REV. 160 BETWEEN ANGLE/BLIND	AS NOTED		
REV. 170 BETWEEN ANGLE/BLIND	AS NOTED		
REV. 180 BETWEEN ANGLE/BLIND	AS NOTED		
REV. 190 BETWEEN ANGLE/BLIND	AS NOTED		
REV. 200 BETWEEN ANGLE/BLIND	AS NOTED		
REV. 210 BETWEEN ANGLE/BLIND	AS NOTED		
REV. 220 BETWEEN ANGLE/BLIND	AS NOTED		
REV. 230 BETWEEN ANGLE/BLIND	AS NOTED		
REV. 240 BETWEEN ANGLE/BLIND	AS NOTED		
REV. 250 BETWEEN ANGLE/BLIND	AS NOTED		
REV. 260 BETWEEN ANGLE/BLIND	AS NOTED		
REV. 270 BETWEEN ANGLE/BLIND	AS NOTED		
REV. 280 BETWEEN ANGLE/BLIND	AS NOTED		
REV. 290 BETWEEN ANGLE/BLIND	AS NOTED		
REV. 300 BETWEEN ANGLE/BLIND	AS NOTED		
REV. 310 BETWEEN ANGLE/BLIND	AS NOTED		
REV. 320 BETWEEN ANGLE/BLIND	AS NOTED		
REV. 330 BETWEEN ANGLE/BLIND	AS NOTED		
REV. 340 BETWEEN ANGLE/BLIND	AS NOTED		
REV. 350 BETWEEN ANGLE/BLIND	AS NOTED		
REV. 360 BETWEEN ANGLE/BLIND	AS NOTED		
REV. 370 BETWEEN ANGLE/BLIND	AS NOTED		
REV. 380 BETWEEN ANGLE/BLIND	AS NOTED		
REV. 390 BETWEEN ANGLE/BLIND	AS NOTED		
REV. 400 BETWEEN ANGLE/BLIND	AS NOTED		
REV. 410 BETWEEN ANGLE/BLIND	AS NOTED		
REV. 420 BETWEEN ANGLE/BLIND	AS NOTED		
REV. 430 BETWEEN ANGLE/BLIND	AS NOTED		
REV. 440 BETWEEN ANGLE/BLIND	AS NOTED		
REV. 450 BETWEEN ANGLE/BLIND	AS NOTED		
REV. 460 BETWEEN ANGLE/BLIND	AS NOTED		
REV. 470 BETWEEN ANGLE/BLIND	AS NOTED		
REV. 480 BETWEEN ANGLE/BLIND	AS NOTED		
REV. 490 BETWEEN ANGLE/BLIND	AS NOTED		
REV. 500 BETWEEN ANGLE/BLIND	AS NOTED		
REV. 510 BETWEEN ANGLE/BLIND	AS NOTED		
REV. 520 BETWEEN ANGLE/BLIND	AS NOTED		
REV. 530 BETWEEN ANGLE/BLIND	AS NOTED		
REV. 540 BETWEEN ANGLE/BLIND	AS NOTED		
REV. 550 BETWEEN ANGLE/BLIND	AS NOTED		
REV. 560 BETWEEN ANGLE/BLIND	AS NOTED		
REV. 570 BETWEEN ANGLE/BLIND	AS NOTED		
REV. 580 BETWEEN ANGLE/BLIND	AS NOTED		
REV. 590 BETWEEN ANGLE/BLIND	AS NOTED		
REV. 600 BETWEEN ANGLE/BLIND	AS NOTED		
REV. 610 BETWEEN ANGLE/BLIND	AS NOTED		
REV. 620 BETWEEN ANGLE/BLIND	AS NOTED		
REV. 630 BETWEEN ANGLE/BLIND	AS NOTED		
REV. 640 BETWEEN ANGLE/BLIND	AS NOTED		
REV. 650 BETWEEN ANGLE/BLIND	AS NOTED		
REV. 660 BETWEEN ANGLE/BLIND	AS NOTED		
REV. 670 BETWEEN ANGLE/BLIND	AS NOTED		
REV. 680 BETWEEN ANGLE/BLIND	AS NOTED		
REV. 690 BETWEEN ANGLE/BLIND	AS NOTED		
REV. 700 BETWEEN ANGLE/BLIND	AS NOTED		
REV. 710 BETWEEN ANGLE/BLIND	AS NOTED		
REV. 720 BETWEEN ANGLE/BLIND	AS NOTED		
REV. 730 BETWEEN ANGLE/BLIND	AS NOTED		
REV. 740 BETWEEN ANGLE/BLIND	AS NOTED		
REV. 750 BETWEEN ANGLE/BLIND	AS NOTED		
REV. 760 BETWEEN ANGLE/BLIND	AS NOTED		
REV. 770 BETWEEN ANGLE/BLIND	AS NOTED		
REV. 780 BETWEEN ANGLE/BLIND	AS NOTED		
REV. 790 BETWEEN ANGLE/BLIND	AS NOTED		
REV. 800 BETWEEN ANGLE/BLIND	AS NOTED		
REV. 810 BETWEEN ANGLE/BLIND	AS NOTED		
REV. 820 BETWEEN ANGLE/BLIND	AS NOTED		
REV. 830 BETWEEN ANGLE/BLIND	AS NOTED		
REV. 840 BETWEEN ANGLE/BLIND	AS NOTED		
REV. 850 BETWEEN ANGLE/BLIND	AS NOTED		
REV. 860 BETWEEN ANGLE/BLIND	AS NOTED		
REV. 870 BETWEEN ANGLE/BLIND	AS NOTED		
REV. 880 BETWEEN ANGLE/BLIND	AS NOTED		
REV. 890 BETWEEN ANGLE/BLIND	AS NOTED		
REV. 900 BETWEEN ANGLE/BLIND	AS NOTED		
REV. 910 BETWEEN ANGLE/BLIND	AS NOTED		
REV. 920 BETWEEN ANGLE/BLIND	AS NOTED		
REV. 930 BETWEEN ANGLE/BLIND	AS NOTED		
REV. 940 BETWEEN ANGLE/BLIND	AS NOTED		
REV. 950 BETWEEN ANGLE/BLIND	AS NOTED		
REV. 960 BETWEEN ANGLE/BLIND	AS NOTED		
REV. 970 BETWEEN ANGLE/BLIND	AS NOTED		
REV. 980 BETWEEN ANGLE/BLIND	AS NOTED		
REV. 990 BETWEEN ANGLE/BLIND	AS NOTED		
REV. 1000 BETWEEN ANGLE/BLIND	AS NOTED		