

Excellent Integrated System Limited

Stocking Distributor

Click to view price, real time Inventory, Delivery & Lifecycle Information:

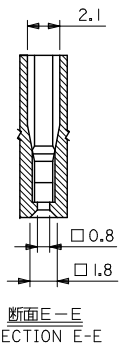
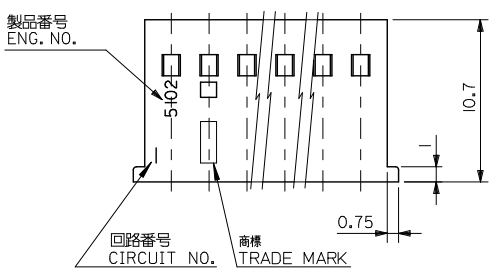
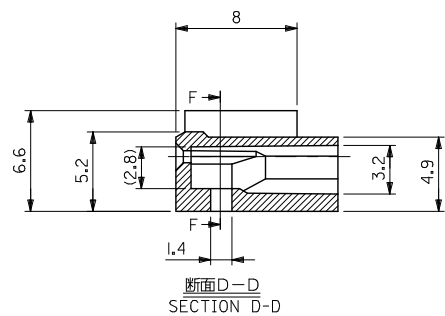
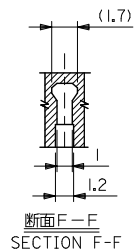
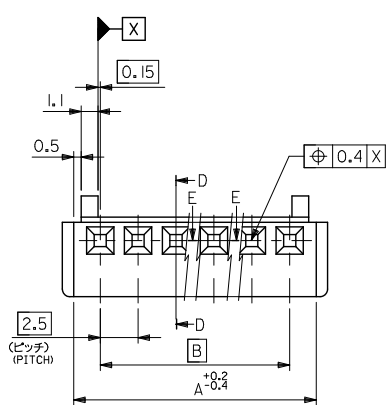
[Molex Connector Corporation](#)

[22-01-1074](#)

For any questions, you can email us directly:

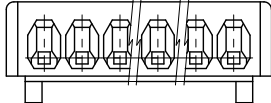
sales@integrated-circuit.com

10 9 8 7 6 5 4 3 2 1



注記
NOTE
使用ターミナル: ENG. NO. 5103*
APPLICABLE TERMINAL: ENG. NO. 5103*

| | | | | |
|------|------|------------|----------|--------------|
| 47.5 | 51 | 22-01-1204 | 5102-20 | 20 |
| 45 | 48.5 | -1194 | -19 | 19 |
| 42.5 | 46 | -1184 | -18 | 18 |
| 40 | 43.5 | -1174 | -17 | 17 |
| 37.5 | 41 | -1164 | -16 | 16 |
| 35 | 38.5 | -1154 | -15 | 15 |
| 32.5 | 36 | -1144 | -14 | 14 |
| 30 | 33.5 | -1134 | -13 | 13 |
| 27.5 | 31 | -1124 | -12 | 12 |
| 25 | 28.5 | -1114 | -11 | 11 |
| 22.5 | 26 | -1104 | -10 | 10 |
| 20 | 23.5 | -1094 | -09 | 9 |
| 17.5 | 21 | -1084 | -08 | 8 |
| 15 | 18.5 | -1074 | -07 | 7 |
| 12.5 | 16 | -1064 | -06 | 6 |
| 10 | 13.5 | -1054 | -05 | 5 |
| 7.5 | 11 | -1044 | -04 | 4 |
| 5 | 8.5 | -1034 | -03 | 3 |
| 2.5 | 6 | 22-01-1024 | 5102-02 | 2 |
| B | A | EDP. NO. | ENG. NO. | NO. OF EXTS. |



材料
MATERIAL
ナイロン66, UL94V-0
NYLON66, UL94V-0

| | | | | | | |
|--|---|--------|----------------------------|---|-----------------------------|------------------------|
| REVISED EC NO. J2012-0647 DRAWN BY DRWNSATO 2011/11/30 CHKD:KAKAWA 2011/11/30 APPR:YOTO 2011/11/30 | GENERAL TOLERANCES (UNLESS SPECIFIED) | | DIMENSION STYLE MM ONLY | SCALE 4:1 | DESIGN UNITS METRIC | THIRD ANGLE PROJECTION |
| | 10 UNDER | ± 0.2 | DRAWN BY H. IJIMA | DATE 1996/07/05 | TITLE MINI SPOX HSG | |
| | 10 OVER 30 UNDER | ± 0.25 | CHECKED BY M. FUKUSHIMA | DATE 1996/07/05 | MOLEX INCORPORATED | |
| | 30 OVER | ± 0.3 | APPROVED BY M. ENOMOTO | DATE 1996/07/05 | DOCUMENT NO. SD-5102-001 | SHEET NO. 1 OF 1 |
| J | ANGULAR ±3° DRAFT WHERE APPLICABLE MUST REMAIN WITHIN DIMENSIONS | | MATERIAL NO. SEE CHART | THIS DRAWING CONTAINS INFORMATION THAT IS PROPRIETARY TO MOLEX INCORPORATED AND SHOULD NOT BE USED WITHOUT WRITTEN PERMISSION | | |