

## Excellent Integrated System Limited

Stocking Distributor

Click to view price, real time Inventory, Delivery & Lifecycle Information:

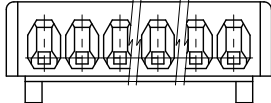
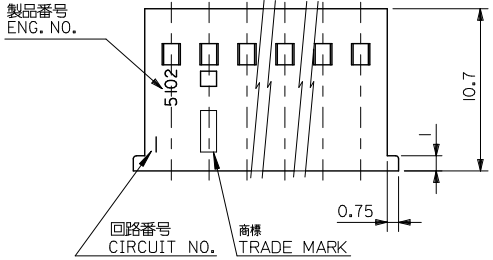
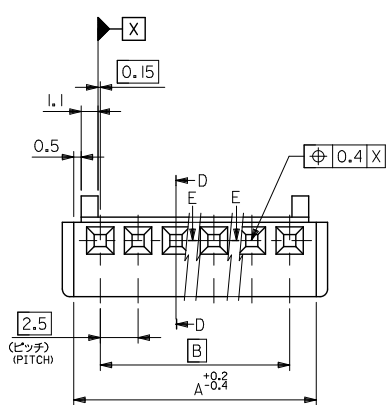
[Molex Connector Corporation](#)

[22-01-1084](#)

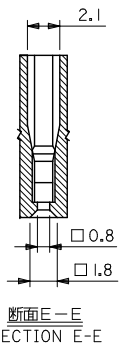
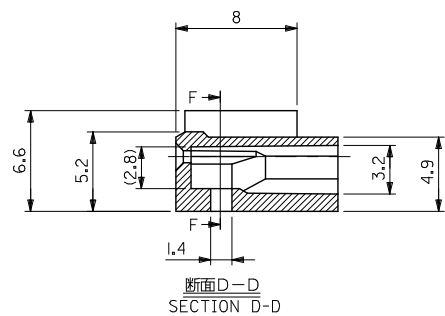
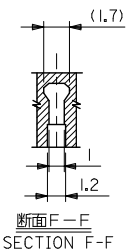
For any questions, you can email us directly:

[sales@integrated-circuit.com](mailto:sales@integrated-circuit.com)

10 9 8 7 6 5 4 3 2 1



材料 MATERIAL  
ナイロン66, UL94V-0  
NYLON66, UL94V-0



注記 NOTE  
使用ターミナル: ENG. NO. 5103\*  
APPLICABLE TERMINAL: ENG. NO. 5103\*

|      |      |            |          |              |
|------|------|------------|----------|--------------|
| 47.5 | 51   | 22-01-1204 | 5102-20  | 20           |
| 45   | 48.5 | -1194      | -19      | 19           |
| 42.5 | 46   | -1184      | -18      | 18           |
| 40   | 43.5 | -1174      | -17      | 17           |
| 37.5 | 41   | -1164      | -16      | 16           |
| 35   | 38.5 | -1154      | -15      | 15           |
| 32.5 | 36   | -1144      | -14      | 14           |
| 30   | 33.5 | -1134      | -13      | 13           |
| 27.5 | 31   | -1124      | -12      | 12           |
| 25   | 28.5 | -1114      | -11      | 11           |
| 22.5 | 26   | -1104      | -10      | 10           |
| 20   | 23.5 | -1094      | -09      | 9            |
| 17.5 | 21   | -1084      | -08      | 8            |
| 15   | 18.5 | -1074      | -07      | 7            |
| 12.5 | 16   | -1064      | -06      | 6            |
| 10   | 13.5 | -1054      | -05      | 5            |
| 7.5  | 11   | -1044      | -04      | 4            |
| 5    | 8.5  | -1034      | -03      | 3            |
| 2.5  | 6    | 22-01-1024 | 5102-02  | 2            |
| B    | A    | EDP. NO.   | ENG. NO. | NO. OF EXTS. |

|                                                                                                                                          |                                       |                  |                                                                                                                               |               |              |                        |  |
|------------------------------------------------------------------------------------------------------------------------------------------|---------------------------------------|------------------|-------------------------------------------------------------------------------------------------------------------------------|---------------|--------------|------------------------|--|
| REVISED<br>EC NO. J2012-0647<br>DRAWN BY DRWNSATO 2011/11/30<br>CHECKED BY CHIKUDASAKAWA 2011/11/30<br>APPROVED BY APPR.YOITO 2011/11/30 | GENERAL TOLERANCES (UNLESS SPECIFIED) |                  | DIMENSION STYLE                                                                                                               | SCALE         | DESIGN UNITS | THIRD ANGLE PROJECTION |  |
|                                                                                                                                          | 10 UNDER ± 0.2                        |                  | MM ONLY                                                                                                                       | 4:1           | METRIC       |                        |  |
|                                                                                                                                          | 10 OVER 30 UNDER ± 0.25               |                  | DRAWN BY DATE                                                                                                                 | TITLE         |              |                        |  |
|                                                                                                                                          | 30 OVER ± 0.3                         |                  | CHECKED BY DATE                                                                                                               | MINI SPOX HSG |              |                        |  |
| ANGULAR ± 3°                                                                                                                             |                                       | APPROVED BY DATE | MOLEX INCORPORATED                                                                                                            |               |              |                        |  |
| DRAFT WHERE APPLICABLE MUST REMAIN WITHIN DIMENSIONS                                                                                     |                                       | MATERIAL NO.     | SEE CHART                                                                                                                     |               | DOCUMENT NO. | SHEET NO.              |  |
|                                                                                                                                          |                                       | SIZE             | THIS DRAWING CONTAINS INFORMATION THAT IS PROPRIETARY TO MOLEX INCORPORATED AND SHOULD NOT BE USED WITHOUT WRITTEN PERMISSION |               | SD-5102-001  | 1 OF 1                 |  |