

## **Excellent Integrated System Limited**

Stocking Distributor

Click to view price, real time Inventory, Delivery & Lifecycle Information:

[Serpac Electronic Enclosures](#)  
[A20,BK](#)

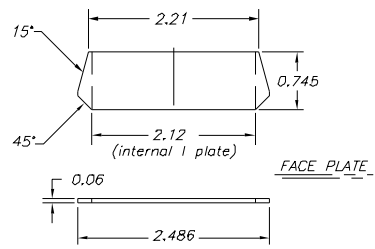
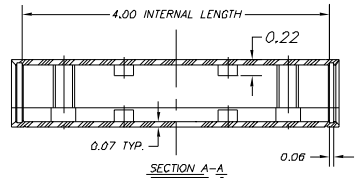
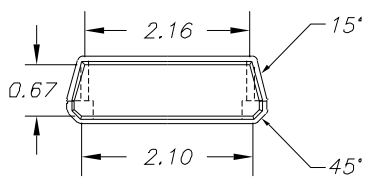
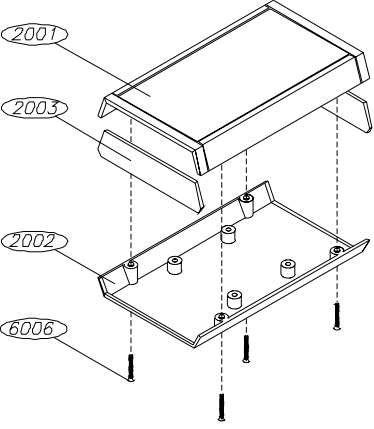
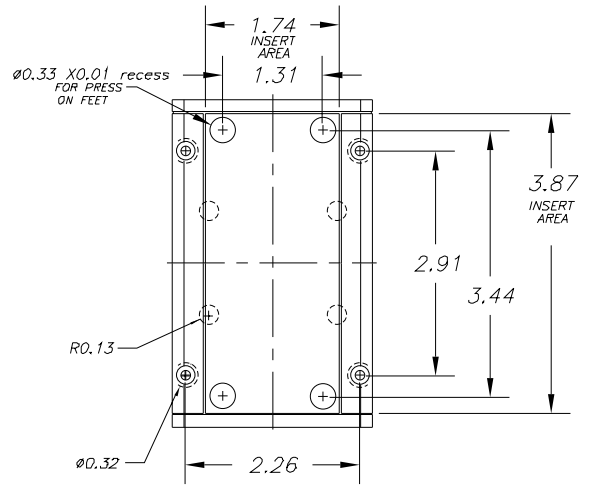
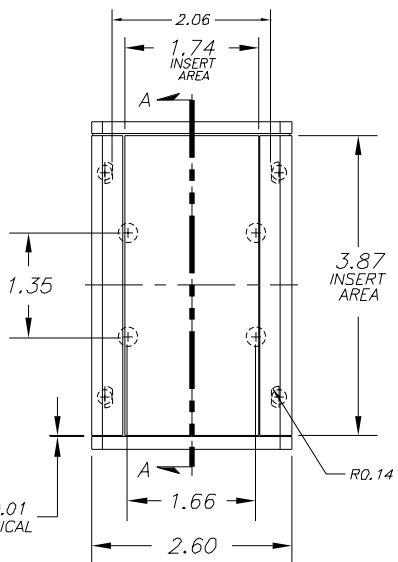
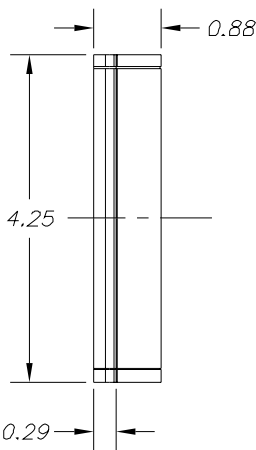
For any questions, you can email us directly:

[sales@integrated-circuit.com](mailto:sales@integrated-circuit.com)

NOTES:

1. WHEN MACHINE OR PLATES MODIFICATIONS ARE REQUIRED, USE THE CENTER OF THE ENCLOSURE TO DIMENSION.

**SERPAC A-20**  
Electronics Enclosures



10-07-98 ALL DIMENSIONS ± .010

PART NO.	DESCRIPTION	PART NO.	ACCESSORIES
2001	PLASTIC TOP	52	PRESS ON FEET
2003	PLASTIC END PANEL	2003IR	INFARED PANELS
2002	PLASTIC BOTTOM	2003CL	CLEAR & TRANSPARENT RED PANELS
6006	SCREW	PC	POCKET CLIP