

Excellent Integrated System Limited

Stocking Distributor

Click to view price, real time Inventory, Delivery & Lifecycle Information:

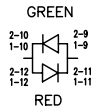
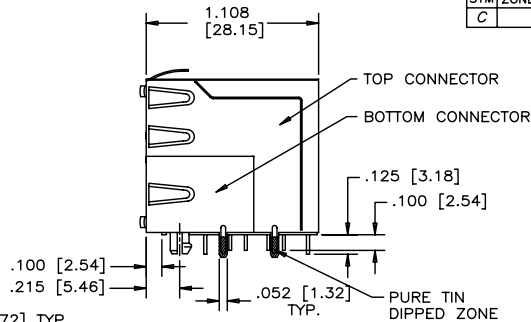
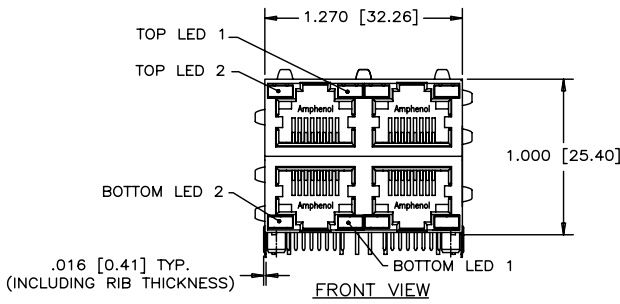
[Amphenol Commercial Products](#)

[RJSAE-5381-04](#)

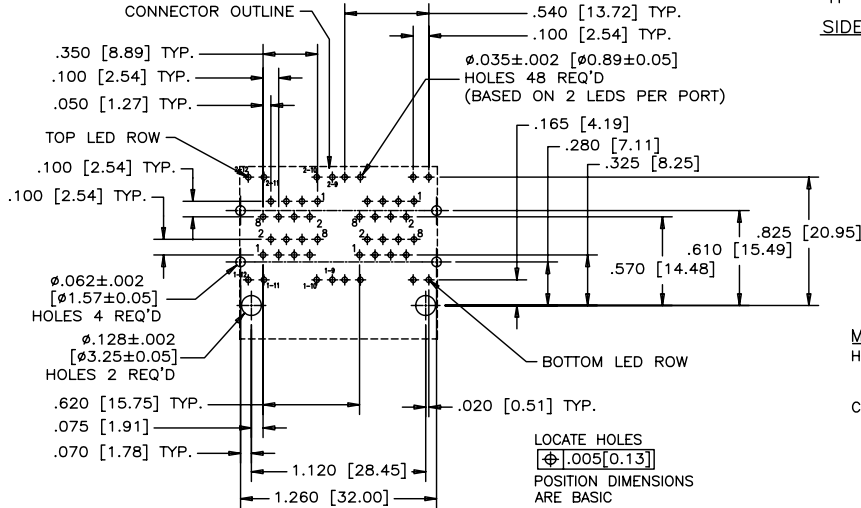
For any questions, you can email us directly:

sales@integrated-circuit.com

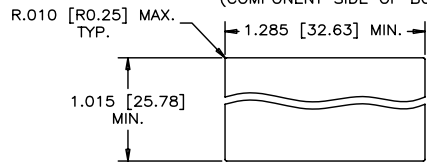
REVISIONS				
SYM	ZONE	DESCRIPTION	DATE	APPRD.
C		PROPOSAL	NOV.16/04	L.CHAN



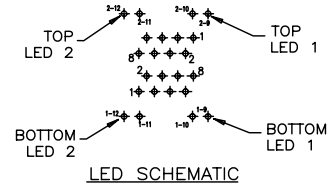
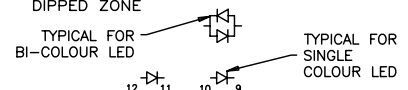
BI-COLOUR LED DETAIL
(GREEN/YELLOW, RED/YELLOW AND GREEN/ORANGE ARE ALSO AVAILABLE)



RECOMMENDED P.C.B. LAYOUT
(COMPONENT SIDE OF BOARD)



RECOMMENDED PANEL LAYOUT



MATERIALS:

- HOUSING: HIGH TEMPERATURE THERMOPLASTIC. FLAMMABILITY RATING UL 94V-0
- CONTACTS: PHOSPHOR BRONZE
- PLATING: 50µ" [1.27 MICRONS] MIN. GOLD OVER MATING SURFACES. 50µ" [1.27 MICRONS] MIN. NICKEL UNDERPLATE. 100µ" MIN. MATTE TIN OR GOLD FLASH ON CONTACT AILS.
- SHIELD: COPPER ALLOY PLATING: NICKEL WITH PURE-TIN DIPPED TAILS.

AMPHENOL PART NUMBER: RJSAE-538X-04X

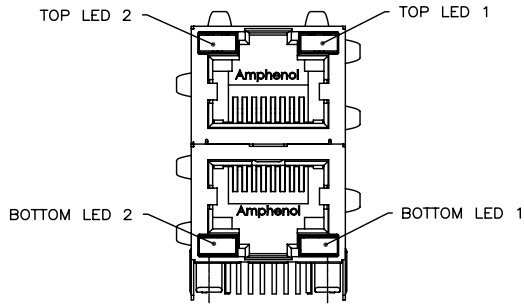
REFER TO LED OPTIONS DRAWING FOR ORDERING CODES



THIS DOCUMENT CONTAINS PROPRIETARY INFORMATION AND SUCH INFORMATION MAY NOT BE DISCLOSED TO OTHERS FOR ANY PURPOSE OR USED FOR MANUFACTURING PURPOSES WITHOUT WRITTEN PERMISSION FROM AMPHENOL CANADA CORP.

DRAWN ChigowX	DATE NOV.16/04	Amphenol Canada Corp.
DESIGNED		
CHECKED LCHAN	NOV.16/04	TITLE STACKABLE MULTI-PORT MODULAR JACK, SHIELDED, 4 PORTS, 2 PIECE CONSTRUCTION, (8 POSITION, 8 CONTACTS, WITH LEDS) - RoHS COMPLIANT
I. E. APPRD.		
Q. A. APPRD.		
DWG. APPRD.		
ENG. REL. NO.		DWG. DRAWING NO. P-RJSAE-538X-04X
REF.		REV. C
DIMENSIONS ARE IN INCHES [mm]	CODE ID. NO. 03554	SCALE WT. SURF. SHEET 1 OF 1

REVISIONS			
SYM	ZONE	ECN, ERN NO.	DATE APPRD.
C		PROPOSAL	NOV.16/06 LCHAN



TYPICAL FOR TWO & MULTI-PORT

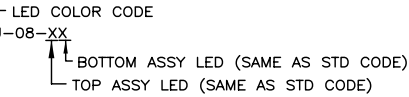
EXAMPLE:

PART NUMBER RJSAE-528X



EXAMPLE:

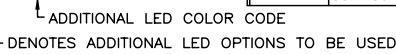
PART NUMBER RJSAE-538U-08-XX



CODE	LED 2 (LEFT)	LED 1 (RIGHT)	CODE	LED 2 (LEFT)	LED 1 (RIGHT)	CODE	LED 2 (LEFT)	LED 1 (RIGHT)
0	BLOCKED	BLOCKED	9	GREEN	BLOCKED	J	BIC RD/GR	YELLOW
1	YELLOW	GREEN	A	BIC GR/YE	BIC GR/YE	K	YELLOW	BIC GR/OR
2	BLOCKED	GREEN	B	BIC RD/GR	BIC RD/GR	L	BIC GR/YE	RED
3	YELLOW	BLOCKED	C	BIC RD/GR	BIC GR/YE	M	RED	YELLOW
4	GREEN	YELLOW	D	GREEN	BIC GR/YE	N	BIC GR/RD	BIC GR/YE
5	GREEN	GREEN	E	YELLOW	BIC GR/YE	P	GREEN	BIC RD/GR
6	YELLOW	YELLOW	F	BIC GR/YE	YELLOW	R	BIC GR/OR	GREEN
7	RED	GREEN	G	BIC GR/OR	BIC GR/OR	T	RED	RED
8	GREEN	RED	H	BIC GR/YE	GREEN	V	BIC RD/GR	GREEN
						W	ADDITIONAL OPTIONS	
						U	SPECIAL CODE FOR TOP & BOTTOM LEDS CONFIGURATION	

EXAMPLE OF ADDITIONAL LED OPTIONS:

PART NUMBER RJSAE-528W-A2X



CODE	LED 2 (LEFT)	LED 1 (RIGHT)	CODE	LED 2 (LEFT)	LED 1 (RIGHT)	CODE	LED 2 (LEFT)	LED 1 (RIGHT)
0	DO NOT USE		5	BLOCKED	YELLOW	A	LOWC YE	LOWC YE
1	RED	BLOCKED	6	RED	BIC RD/GR	B	LOWC YE	LOWC GR
2	BIC GR/OR	YELLOW	7			C	LOWC GR	LOWC YE
3	YELLOW	RED	8	BIC RD/GR	BLOCKED	D	LOWC GR	LOWC GR
4	BLOCKED	RED	9	BIC GR/YE	BLOCKED	M	LOWC RD	LOWC YE
						N	GREEN	BIC GR/OR

LED SPECIFICATIONS:

FORWARD VOLTAGE: 2.1 VOLTS TYP.
 REVERSE VOLTAGE: 5.0 VOLTS MIN.
 LUMINOUS INTENSITY: 0.5 mCd MIN.
 (AT If=2mA)
 STORAGE TEMPERATURE: -20° TO 85° C
 LEAD SOLDERING TEMPERATURE: 260° C
 (5 SEC, 1/16" FROM CASE)
 PLATING ON TAILS: TIN OR TIN/COPPER ALLOY OVER SILVER

PRIMARY COLOR FOR BI-COLOR LEDS IN STANDARD ANODE/CATHODE CONFIGURATION IS:
 RED-GREEN= RED
 RED-YELLOW= RED
 GREEN-YELLOW= GREEN
 GREEN-ORANGE= GREEN



LEGEND

BIC=BI-COLOR LED
 LOWC=LOW CURRENT LED
 YE=YELLOW
 GR=GREEN
 RD=RED
 OR=ORANGE

NOTE:

THE TWO DIGITS PRECEDING THE ADDITIONAL LED CODE MUST BE USED IN THE PART NUMBER, WHEN ORDERING ANY OF THE ADDITIONAL LED OPTIONS.

THIS DOCUMENT CONTAINS PROPRIETARY INFORMATION AND SUCH INFORMATION MAY NOT BE DISCLOSED TO OTHERS FOR ANY PURPOSE OR USED FOR MANUFACTURING PURPOSES WITHOUT WRITTEN PERMISSION FROM AMPHENOL CANADA CORP.

DRAWN	ChigowX	DATE	NOV.16/06	Amphenol Canada Corp.	
DESIGNED					
CHECKED	LCHAN	DATE	NOV.16/06	TITLE LED OPTIONS FOR RJSAE, MULTI-PORT CONNECTORS - RoHS COMPLIANT	
I. E. APPRD.					
Q. A. APPRD.				DWG DRAWING NO. P-RJSAE-LEDS	
DWG. APPRD.					
ENG. REL. NO.				REV. C	
REF.					
DIMENSIONS ARE IN INCHES (mm)		CODE ID. NO.	03554	SCALE	WT. _____ SURF. _____ SHEET 1 OF 1