

Excellent Integrated System Limited

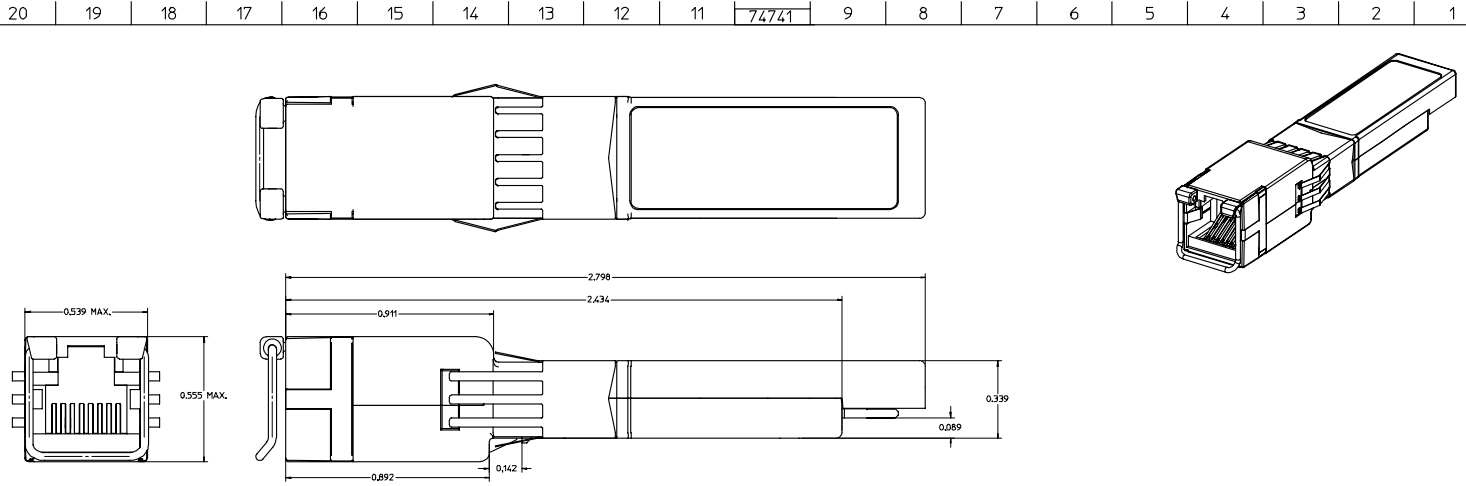
Stocking Distributor

Click to view price, real time Inventory, Delivery & Lifecycle Information:

[Molex Connector Corporation](#)
[74741-0021](#)

For any questions, you can email us directly:

sales@integrated-circuit.com



- FEATURES:**
1. MEETS IEEE 802.3z, u, ab.
 2. MEETS 1000BASE-T STANDARDS.
 3. MATES WITH STANDARD SFP MSA SPECIFICATION COMPONENTS.
 4. MATES WITH COMMON 1X4 AND OTHER GANGED SFP CAGES.
 5. HOT PLUGGABLE.
 6. REQUIRES <1 WATT OF POWER.
 7. SERIAL ID.
 8. SOFTWARE CONFIGURABLE.
 9. 100 METER CAT-5 AT -10° BER.
 10. CENTERED RJ-45 MOD JACK, CONFORMS TO 1U RACK.
 11. .567 INCH SPACE REQUIRED BETWEEN ADJACENT CAGE ON TOP OR BOTTOM.
 12. ROBUST ZINC ALLOY DIE CAST BODY, NICKEL PLATED.
 13. EMI GROUNDING GRIDLE PROVIDES 13 CONTACT POINTS AROUND CAGE OPENING.
 14. BAIL DE-LATCH SYSTEM, USES LIFT AND PULL ACTION TO REMOVE.
 15. LEAD FREE, ROHS COMPLIANT.

PART NUMBER	DESCRIPTION
747410021	1000BASE-T SFP RJ-45 CENTERED, LOS GND
747410022	1000BASE-T SFP RJ-45 CENTERED, LOS TOGGLE

EC NO. 2006/07/28 DRAWN BY DRANK COX CHECKED BY CHICKS APPROVED BY BRUSSELL DATE 2006/08/07 APPR. BRUSSELL 2006/08/15 DESCRIPTION REF.	QUALITY SYMBOLS	GENERAL TOLERANCES (UNLESS SPECIFIED)	SCALE 5:1	DESIGN UNITS INCH	THIRD ANGLE PROJECTION	REVISE ON CAD ONLY
	0.0 0.0	4 PLACES ±--- ±---	mm INCH	INCH ONLY	TITLE	1000 BASE-T SFP ADAPTER SALES DRAWING MOLEX INCORPORATED SEE CHART ISD-74741-021
		3 PLACES ±--- ±---	DRAWN BY KLOYD	DATE 2003/07/29	SHEET NO. 1 OF 1	
		2 PLACES ±--- ±---	CHECKED BY BRUSSELL	DATE 2003/07/29	INCORPORATED AND SHOULD NOT BE USED WITHOUT WRITTEN PERMISSION	
1 PLACE ±--- ±---	ANGULAR ± 2°	DRAFT WHERE APPLICABLE MUST REMAIN WITHIN DIMENSIONS	APPROVED BY BRUSSELL	DATE 2003/07/29	INCORPORATED AND SHOULD NOT BE USED WITHOUT WRITTEN PERMISSION	