

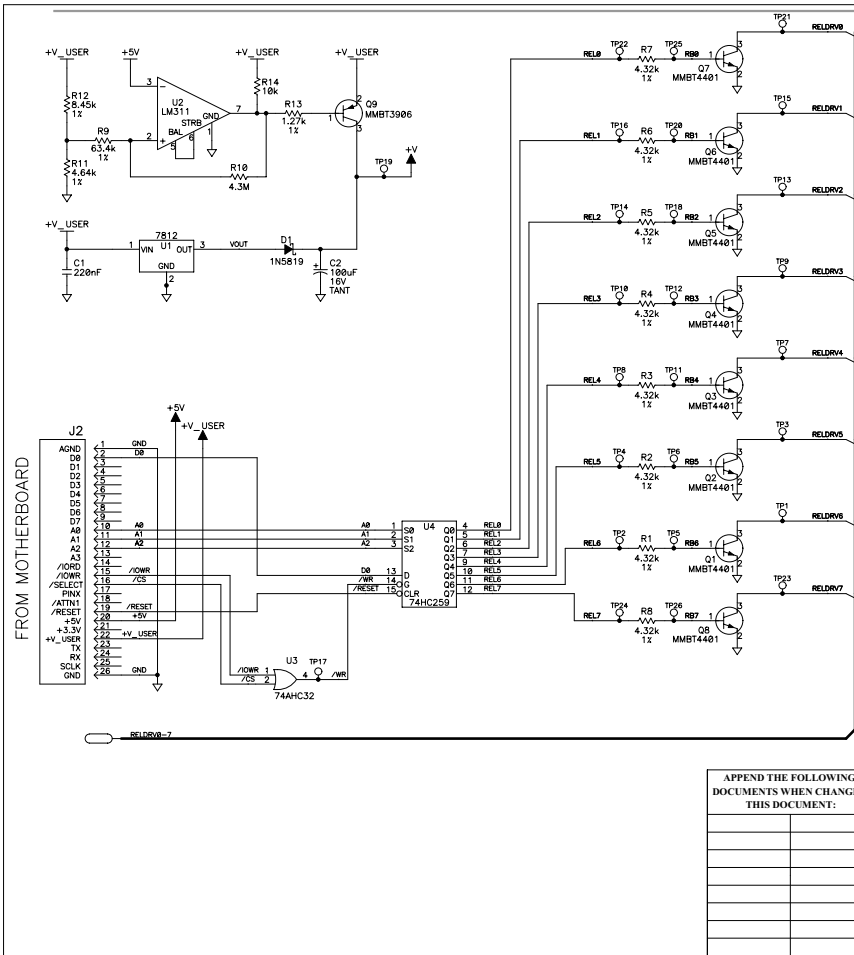
## Excellent Integrated System Limited

Stocking Distributor

Click to view price, real time Inventory, Delivery & Lifecycle Information:

[Digi International](#)  
[20-101-0440](#)

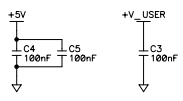
For any questions, you can email us directly:  
[sales@integrated-circuit.com](mailto:sales@integrated-circuit.com)



REVISION HISTORY		REVISION APPROVAL				
REV	ECO	DESCRIPTION	PROJECT ENGINEER	APPROVAL DATE	DOCUMENT CONTROL	APPROVAL DATE
A	E11266	INITIAL RELEASE A/W @ REV-A	XT	11/21/00	KIS	11/21/00
B	E11776	CORRECTED REFERENCE DESIGNATORS.	XT	12/19/01	KIS	12/19/01

TABLE A

REF DES	DEVICE	DEVICE VOLTAGE INFORMATION				DEVICE: FILTER CAP
		AGND	GND	+5V	+V_USER	
U1	7812					
U2	LM311			4	8	C10
U3	74AHC32			3	5	C11
U4	74HC259			8	16	C12

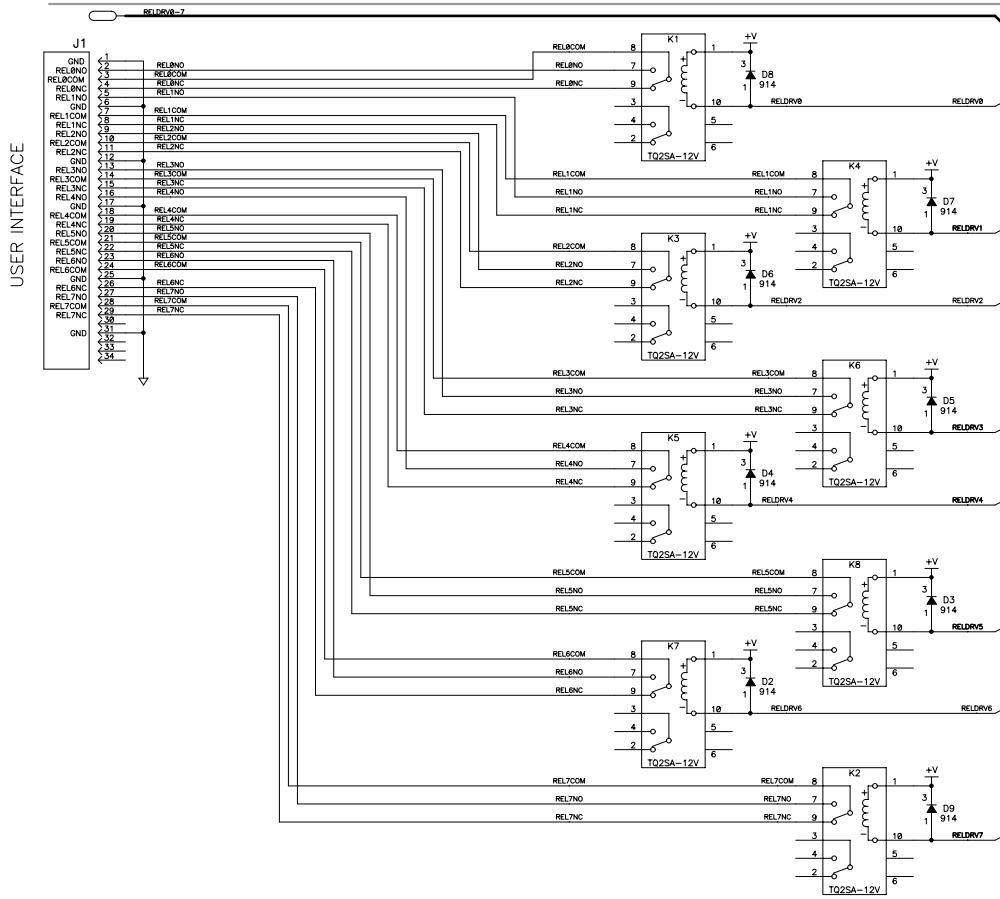


NOTES: UNLESS OTHERWISE SPECIFIED:  
 1. ALL RESISTOR VALUES ARE IN OHMS, 1/10W, 5%  
 2. ALL CAPACITORS ARE 50VDC OR HIGHER.  
 3. THE ORIGINATION SOURCE OF A VOLTAGE IS REPRESENTED BY (VCC), AND ALL REFERENCES TO THAT VOLTAGE ARE REPRESENTED BY (VCC).

COPYRIGHT 2001, Z-WORLD, INC.

APPEND THE FOLLOWING DOCUMENTS WHEN CHANGING THIS DOCUMENT:		DRAWING CONTENT:		TITLE	
REP	19JUN00	DRAWN BY: (INITIAL RELEASE)	19JUN00	SCHEMATIC DIAGRAM	
REVISED BY:	18DEC01	XUAN TRUONG	18DEC01	SR9510 RELAY 8 BOARD	
APPROVALS: INITIAL RELEASE					
PROJECT ENGINEER:	Xuan Truong	11/21/00	SIZE	DWG NO.	B 090-0108
ENGINEERING MANAGER:	R. Matthews	11/21/00	SCALE	NONE	
SIGNATURES	DATE	SCALE	NONE	RELEASE DATE	
				SHEET	1 OF 2





COPYRIGHT 2001, Z-WORLD, INC.

18DEC01

SIZE	DWG NO.
<b>B</b>	090-0108
SCALE	REV LTR
NONE	B
SHEET	OF
2	2