

## Excellent Integrated System Limited

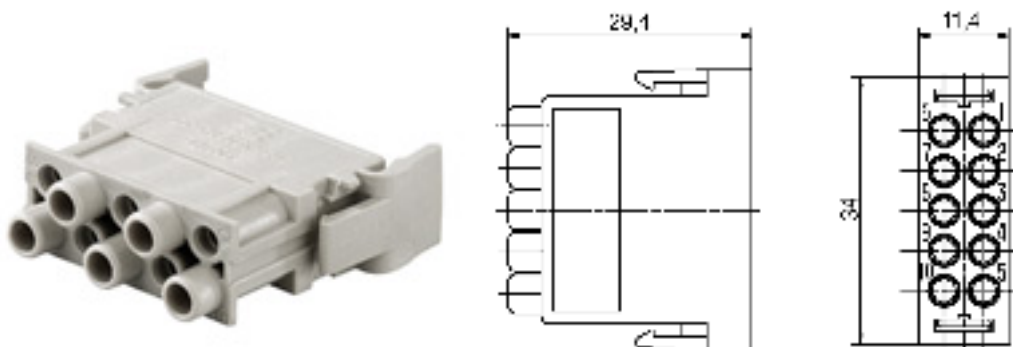
Stocking Distributor

Click to view price, real time Inventory, Delivery & Lifecycle Information:

[Weidmüller](#)  
[1862050000](#)

For any questions, you can email us directly:

[sales@integrated-circuit.com](mailto:sales@integrated-circuit.com)



**General ordering data**

Order No.	1862050000
Part designation	HDC CM 10 MC MR
Version	HDC insert, ConCept module
EAN	4032248425488
Qty.	10 pc(s).

**Product notes**

Note, ordering data	Order contacts separately
Note, technical data	For conductor cross-sections $\leq 0.75 \text{ mm}^2$ , you must use wire-end ferrules at the connection to the PE conductor. When used properly and as designated, the listed connectors may not be connected or disconnected if there is a live voltage or load!
Product description	For conductor cross-sections $\leq 0.75 \text{ mm}^2$ , you must use wire-end ferrules at the connection to the PE conductor.
Note, accessories	For additional accessories, refer to Accessories chapter.

**Approvals**

Approvals institutes



**Classifications**

ETIM 2.0	EC001121
ETIM 3.0	EC001121
eClass 4.1	27-14-08-05
eClass 5.0	27-14-34-19
eClass 5.1	27-14-34-19

### Similar products

Order No.	Part designation	Version
1758410000	HDC CM 10 FC	HDC insert, ConCept module
1862030000	HDC CM 10 FC MR	HDC insert, ConCept module
1758400000	HDC CM 10 MC	HDC insert, ConCept module