

## Excellent Integrated System Limited

Stocking Distributor

Click to view price, real time Inventory, Delivery & Lifecycle Information:

[Honeywell Sensing and Productivity Solutions  
V3-19M](#)

For any questions, you can email us directly:

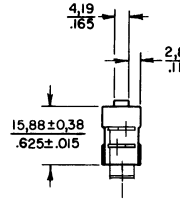
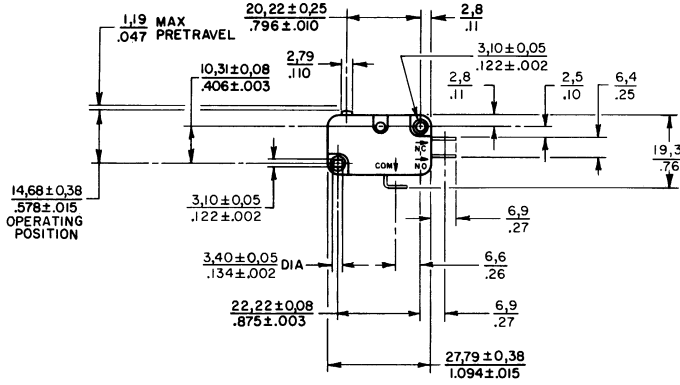
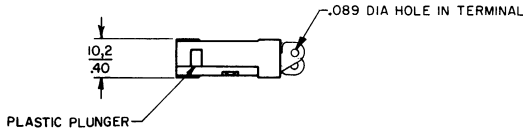
[sales@integrated-circuit.com](mailto:sales@integrated-circuit.com)



**MICRO SWITCH**  
 a Honeywell Division

SWITCH-BASIC

CATALOG LISTING  
**V3-19M**  
 CK-A1901



- NOTES
- 1 - LINEAR MEASURE  $\frac{mm}{IN}$  OR mm/IN
  - 2 - mm DIMENSIONS ARE FOR REFERENCE ONLY
  - 3 - TERMINALS ARE PLATED FOR SOLDERING
  - 4 - METRIC MOUNTING HOLES

THIS DRAWING COVERS A PROPRIETARY ITEM AND IS THE PROPERTY OF MICRO SWITCH, A DIVISION OF HONEYWELL. THIS DRAWING IS NOT TO BE COPIED OR USED WITHOUT THE APPROVAL OF MICRO SWITCH.

|  |  |
|--|--|
| <b>SCALE FULL</b>  |  |
| DO NOT SCALE PRINT   |  |
| TOLERANCES   |  |
| APPLY TO DESIGN UNITS. CONVERSIONS ARE ONLY FOR REFERENCE UNLESS NOTED. TOLERANCES ARE ± |  |
| NO PLACES  | 1.00   |
| ONE PLACE  | 0.05   |
| TWO PLACES   | 0.01   |
| THREE PLACES   | 0.001  |
| FOUR PLACES  | 0.0001   |
| DESIGN UNITS   |  |
| <input type="checkbox"/> METRIC  | <input checked="" type="checkbox"/> US CUSTOMARY |
| RAW MATERIALS - COMMERCIAL STANDARDS   |  |
| MICRO SWITCH STANDARDS APPLY   |  |
| DIMENSIONS ARE TO BE MET BEFORE PROTECTIVE COATING IS APPLIED                            |  |
| WEIGHT   |  |

| CHARACTERISTICS                            | ELECTRICAL DATA              |
|--|------------------------------|
| OPERATING FORCE - - - - - 170 - 398 GR MAX | CONTACT ARRANGEMENT          |
| RELEASE FORCE - - - - - 6 - 14 OZ          | S P D T                      |
| DIFFERENTIAL TRAVEL - - - - - 0.15 - 0.41  | L83 15.1A 1/2HP 125, 250 VAC |
| OVERTRAVEL - - - - - 0.40 MIN              | 1/2A 125 VDC, 1/4A 250 VDC   |
| RELEASE TRAVEL - - - - - 0.07 MIN          | 5A 125 VAC "L"               |
| FREE POSITION - - - - - .625 MAX           |                              |

CATALOG LISTING  
**V3-19M**  
 ISSUE 8  
 RELEASE NO. PR-1069  
 REVISIONS  
 A 10 28848  
 15 JUL 96  
 DCS 15 JUL 96  
 FORMTEK