

Excellent Integrated System Limited

Stocking Distributor

Click to view price, real time Inventory, Delivery & Lifecycle Information:

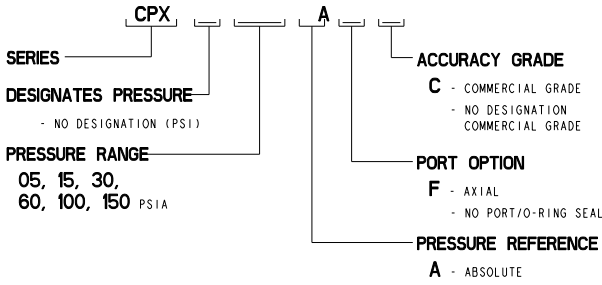
[Honeywell Sensing and Productivity Solutions](#)
[CPX15AF](#)

For any questions, you can email us directly:

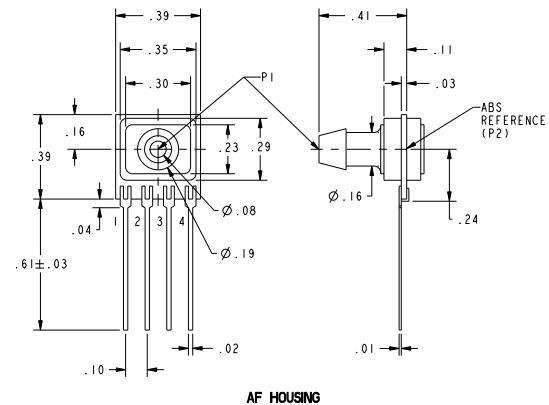
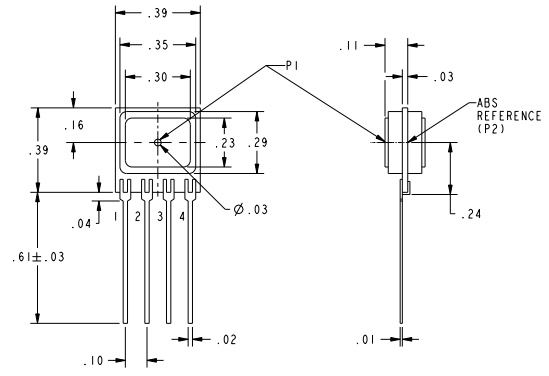
sales@integrated-circuit.com

FO-52841-F

REV	DOCUMENT	CHANGED BY	CHECK
3	0033382	AB	30AUG07 CMH

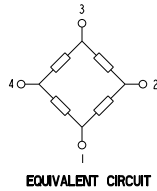


②
CPX15AF
②
③
③



CPX A STYLE (ABSOLUTE)	PERFORMANCE AT 25°C AND 5±0.01 V _{dc} (UNLESS OTHERWISE STATED)						
	C-GRADE			UNITS	FULL SCALE PRESSURE PSI	PROOF PRESSURE PSI	BURST PRESSURE PSI
	MIN	NOM	MAX				
OFFSET (0 PSIA) (FOR ALL ABSOLUTE LISTINGS)	-50	0	50	mV			
5 PSIA SPAN (P1>P2)	112	168.5	225	mV	5	15	25
15 PSIA SPAN (P1>P2)	168	253	338	mV	15	45	75
30 PSIA SPAN (P1>P2)	168	253	338	mV	30	90	150
60 PSIA SPAN (P1>P2)	189	263.5	338	mV	60	180	300
100 PSIA SPAN (P1>P2)	210	295	380	mV	100	250	400
150 PSIA SPAN (P1>P2)	187	262.5	338	mV	150	250	400
TEMPERATURE CHANGE BRIDGE RESISTANCE	---	2600	---	ppm/°C			
TEMPERATURE CHANGE SPAN	---	-1800	---	ppm/°C			
COMBINED LINEARITY AND HYSTERESIS Δ	---	---	I	% SPAN			

GENERAL OPERATING CHARACTERISTICS	ALL PRESSURES AND GRADES			UNITS
	MIN	NOM	MAX	
EXCITATION VOLTAGE	---	5	12	V _{dc}
INPUT RESISTANCE	---	3000	---	OHMS
OUTPUT RESISTANCE	---	3000	---	OHMS
OPERATING TEMPERATURE	-25	25	85	°C
STORAGE TEMPERATURE	-40	---	125	°C



Pin	Signal
1	-V EXCITATION
2	+ OUTPUT SIGNAL
3	+V EXCITATION
4	- OUTPUT SIGNAL

NOTES

- SPAN IS THE ALGEBRAIC DIFFERENCE BETWEEN THE OUTPUT AT FULL SCALE PRESSURE AND THE OFFSET OUTPUT
- LINEARITY IS MEASURED AT 1/2 FULL SCALE PRESSURE USING BEST STRAIGHT LINE FIT
- THE OUTPUT OF THE SENSOR IS PROPORTIONAL, RATIO-METRIC, TO THE EXCITATION VOLTAGE. ALL SPECIFICATIONS WILL NOMINALLY BE CHANGED BY THE RATIO OF V_{EXCITATION}/5.0 V_{dc}
- LIMIT SOLDERING TO 315°C FOR LESS THAN 10 SECONDS
- APPLYING PRESSURE TO PORT INDICATED ON THE DRAWINGS SHOWN
- SENSORS ARE OPERATIONAL OVER VACUUM PRESSURE RANGE
- P1 INPUT MEDIA RESTRICTED TO DRY GASES ONLY

UNLESS OTHERWISE SPECIFIED TOLERANCES ARE:	INches	Metric	DRAWN	TRF	19MAR01	Honeywell
NO PLACE	X	±.040 ±.1	CHECK	SAV	19MAR01	
ONE PLACE	.X	±.030 ±.04	THIS DRAWING COVERS A PROPRIETARY ITEM AND IS THE PROPERTY OF HONEYWELL. THIS DRAWING IS NOT TO BE COPIED OR USED WITHOUT THE PERMISSION OF HONEYWELL.			TITLE
TWO PLACE	.XX	±.015 ±0.15	DIMENSIONS ARE TO BE MET BEFORE PROTECTIVE COATINGS ARE APPLIED			PRESSURE SENSOR
THREE PLACE	.XXX	±.005 ±	3D PTC	ASME Y14.5M-1994	SCALE	SIZE DWG TYPE DRAWING NAME
RAW MATERIAL - COMMERCIAL STANDARD					3:1	C I CPX ABS SERIES CHART 1
THIRD ANGLE PROJECTION					WEIGHT	REV 3
					SHEET	I OF I