



Distributor of TE Connectivity AMP Connectors: Excellent Integrated System Limited
Datasheet of 748872-1 - D-Sub Connector Plug, Male Pins 15 Position Through Hole, Right
Angle Solder

Contact us: sales@integrated-circuit.com Website: www.integrated-circuit.com

Excellent Integrated System Limited

Stocking Distributor

Click to view price, real time Inventory, Delivery & Lifecycle Information:

[TE Connectivity AMP Connectors](#)
[748872-1](#)

For any questions, you can email us directly:

sales@integrated-circuit.com

tyco
 Electronics

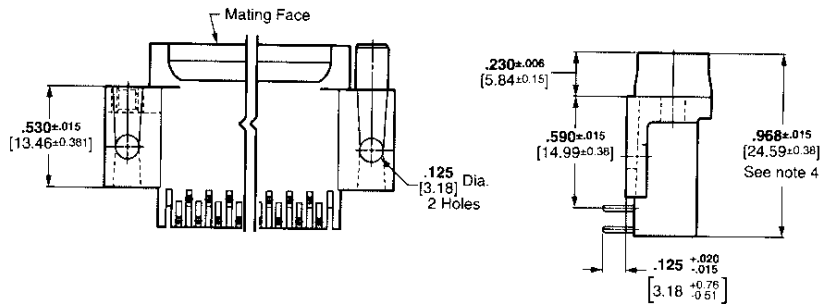
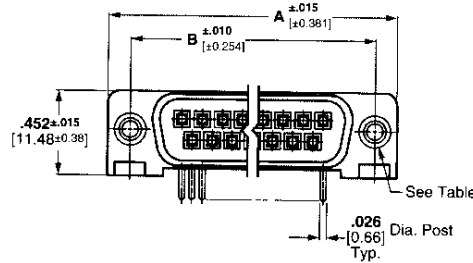
AMPLIMITE Subminiature D Type Connectors

AMP

HD-20 All-Plastic Right-Angle Posted Connectors 590 Mount (Continued)

Post Size—.026 [0.66] Dia.

Plug—Without Boardlocks



Material and Finish:

Housing—94V-0 rated thermoplastic, black

Threaded Inserts—Zinc, chromate coated

Female Screwlocks—Zinc, chromate coated

Pin Contacts (Posted)—Brass, duplex plated as follows:

A—.000030 [0.00076] gold on mating end, tin-lead on termination end, with entire contact nickel underplated

B—Gold flash on mating end, tin-lead on termination end, with entire contact nickel underplated

Technical Documents:

Product Specification—108-40025

Application Specification—114-40015

See customer drawings for printed circuit board layouts.

Shell Size	No. of Contact Positions	Dimensions		Contact Finish (Plating Code)	Part Numbers		
		A	B		With Threaded Inserts	With Fixed Female Screwlocks	With .125 [3.18] Mounting Holes
1	9	1.213	.984	A	747467-4	—	747467-2
		30.81	24.99	B	—	—	747467-1
2	15	1.541	1.312	A	748872-1	748952-1	747468-2
		39.14	33.32	B	—	—	—
3	25	2.090	1.852	A	748873-1	748953-1	748826-1
		53.09	47.04	B	—	—	748826-2
4	37	2.729	2.500	A	—	—	747470-2
		69.32	63.50	B	—	—	—
5	50	2.635	2.406	A	—	—	206971-1
		66.93	61.11	B	—	—	206971-2

- Notes:**
- All plug connectors are preloaded with size 20 DF posted pin contacts.
 - Recommended pc board thickness is .093 [2.36] max.
 - Male screw retainers are used as mating hardware for connectors with 4-40 female screwlocks.
 - Dimension is 1.115 [28.32] for size 5 d-sub, GPL244.

.590 [14.99] Board Mount Footprint