

Excellent Integrated System Limited

Stocking Distributor

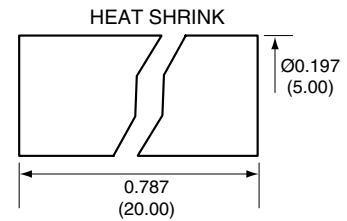
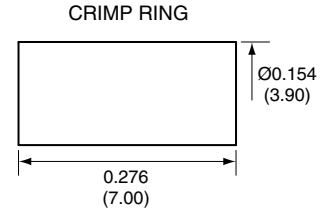
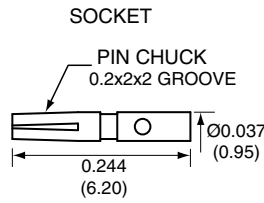
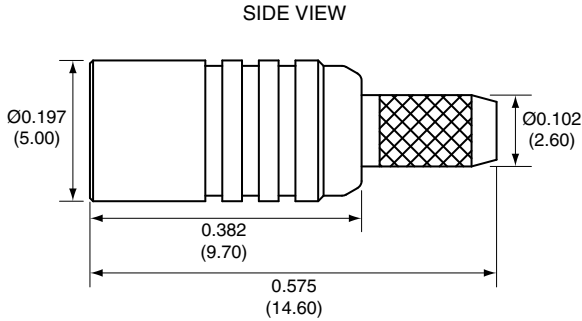
Click to view price, real time Inventory, Delivery & Lifecycle Information:

[Linx Technologies](#)
[CONMCX011](#)

For any questions, you can email us directly:
sales@integrated-circuit.com

| Description | Material | Finish |
|-------------|------------|--------|
| Body | Brass | Gold |
| Socket | BE CU | Gold |
| Insulation | PTFE | N/A |
| Crimp Ring | Brass | Gold |
| Heat Shrink | Polyolefin | Black |

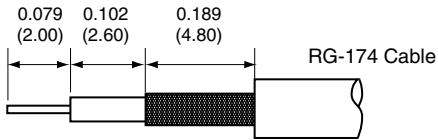
| REVISIONS | | | |
|-----------|---|-----------|------|
| REV | DESCRIPTION | DATE | APPV |
| B | Added new title block and heat shrink; updated instructions | 11-JUL-12 | SAH |



CONMCX011 ASSEMBLY INSTRUCTIONS

1. Strip cable to recommended dimensions.
2. Slip heat shrink and crimp ring onto stripped cable.
3. Solder the socket to the center conductor.
4. Insert the socket, center conductor, and insulator into the body until the top of the socket is even with the white insulation in the body.
5. Wrap the braid around the tail of the body and crimp the ring with a 0.128" hex crimp tool (or one labeled for use with RG-174 cable).
6. Use heat shrink to cover crimp.

RECOMMENDED CABLE STRIPPING DIMENSIONS



NOTES: (UNLESS OTHERWISE SPECIFIED)

1. ALL DIMENSIONS ARE IN INCHES [mm].
2. DIMENSIONS APPLY AFTER FINISHING.
3. MANUFACTURE TO BE COMPLIANT WITH EU RoHS DIRECTIVE.
4. SAFETY BREAK ALL SHARP CORNERS AND EDGES .02 MAXIMUM.

WARNING: THIS DRAWING CONTAINS PROPRIETARY INFORMATION THAT IS THE SOLE PROPERTY OF LINX TECHNOLOGIES, AND SHALL BE TREATED AS SUCH. NO DISCLOSURE OR REPRODUCTION OF THIS DOCUMENT IS PERMITTED, IN WHOLE OR IN PART, WITHOUT THE EXPRESS WRITTEN PERMISSION OF LINX TECHNOLOGIES OR ITS DESIGNATED AGENTS.

| | | |
|-----------|--|-----------------|
| MATERIAL: | TOLERANCES: .020 [0.50]-.200 [5.00]= ± .008 [0.20] .200 [5.00]-1.200 [30.00]= ± .016 [0.40] 1.20 [30.0]-4.75 [120.0]= ± .024 [0.60] 4.75 [120.0]-12.40 [315.0]= ± .040 [1.0] | PROJECTION: |
| FINISH: | DRAWN: B.MURPHY DT: 11-JUL-12 | ANGLES: ±1° |
| | ENGR: S.HOGAN DT: 11-JUL-12 | |

| | | | |
|----------------------------------|----------------------|---|-----|
| 159 ORT LANE MERLIN, OR 97532 | | TITLE: | REV |
| | | MCX FEMALE CABLE END CRIMP FOR RG174 CABLE | B |
| SIZE | DWG. NO. | | |
| A | CONMCX011 | | |
| SCALE: 2:1 | DO NOT SCALE DRAWING | SHEET 1 OF 1 | |