

## Excellent Integrated System Limited

Stocking Distributor

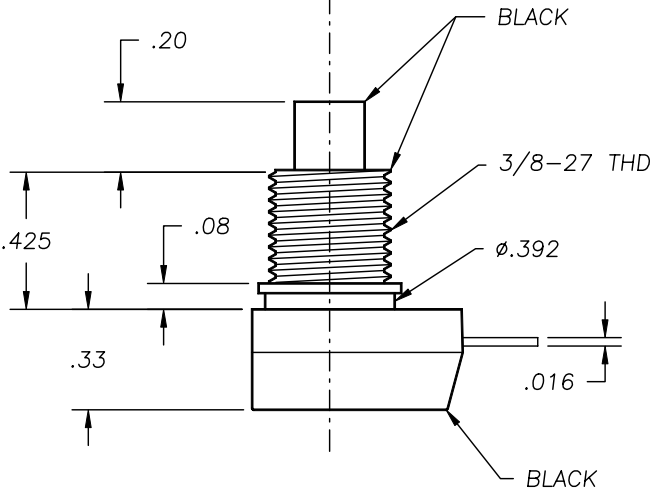
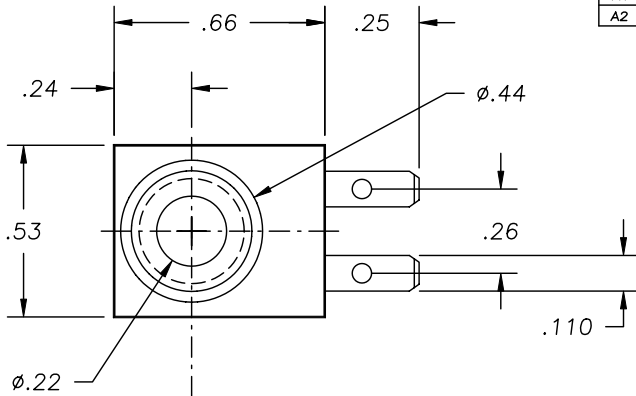
Click to view price, real time Inventory, Delivery & Lifecycle Information:

[Judco Manufacturing, Inc.](#)  
[40-4532-00](#)

For any questions, you can email us directly:

[sales@integrated-circuit.com](mailto:sales@integrated-circuit.com)


LTR	EN	DESCRIPTION	APPR	BY	DATE
A	-	INITIAL RELEASE	RB	EM	09-19-06
A1	-	ADDED ELECTRICAL RATING ON SWITCH DESCRIPTION.	RB	DC	11-06-06
A2	-	ADDED CUSTOMER'S PART NUMBER.	RB	DC	01-16-07



JUDCO INVENTORY NO. 40-4532-00  
SWITCH TYPE: PUSH ON-PUSH OFF, SPST  
NUT PACKED SEPARATELY

CUSTOMER: DIGI-KEY  
CUSTOMER PN: 544PB-ND

APPROVED BY: \_\_\_\_\_  
DATE: \_\_\_\_\_

DIMENSIONS IN INCHES DIMENSIONS ARE REFERENCE	 HARBOR CITY CALIFORNIA	
	TITLE <b>OUTLINE</b>	
DRAWN: EM 09-19-06	J-188A-1 W/STR TRMS	
APPR: KJ 01-16-07	DWG. NO. 1415-1030	
1415U1030A2.DWG	SHEET 1 OF 1	

This document embodies a product, component, and/or design proprietary to JUDCO MANUFACTURING INC., and which is protected either as a trade secret, by U.S. Patent, or by copyright. It may not be used in any way without written express consent of JUDCO MANUFACTURING INC.