

Excellent Integrated System Limited

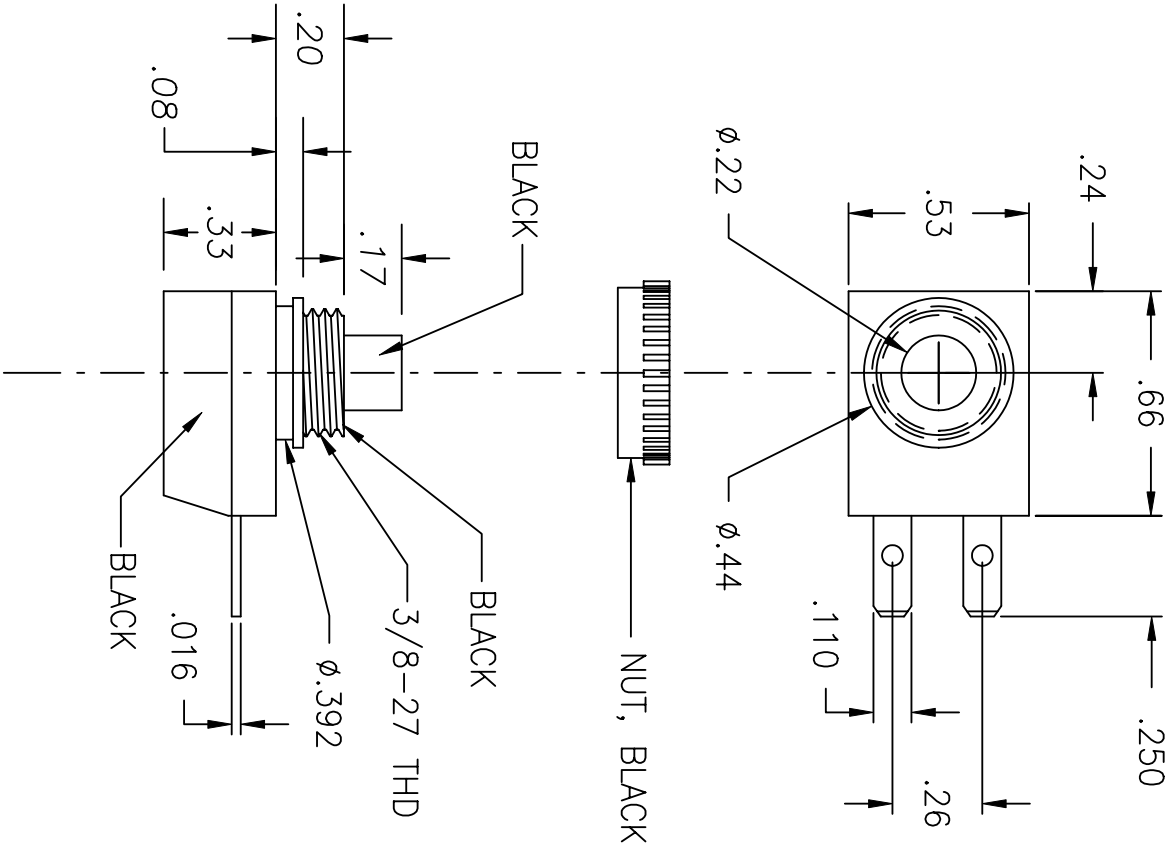
Stocking Distributor

Click to view price, real time Inventory, Delivery & Lifecycle Information:

[Judco Manufacturing, Inc.](#)
[40-4520-00](#)

For any questions, you can email us directly:

sales@integrated-circuit.com



LTR	EN	DESCRIPTION	APPR	BY	DATE
A	-	INITIAL RELEASE	RB	DC	09-18-06
A1	-	ADDED ELECTRICAL RATING ON SWITCH DESCRIPTION.	RB	DC	11-06-06

JUDCO INVENTORY NO:40-4520-00
 SWITCH TYPE: PUSH ON-PUSH OFF, SPST
 ELECTRICAL RATING: 14 VDC, 10A, NON-UL
 NUTS ARE PACKED SEPARATELY.

CUSTOMER : DIGI-KEY
 CUSTOMER PN: TBD

APPROVED BY: _____
 DATE: _____

DIMENSIONS IN INCHES
 DIMENSIONS ARE REFERENCE

HARBOR CITY CALIFORNIA

TITLE
 J-188B-1 STRAIGHT TERM

DWG. NO.
 1415-1021

DRAWN: DC 09-18-06
 APPR: KU 11-06-06

1415U1021A1.DWG

SHEET
 1 OF 1

This document embodies a product, component, and/or design proprietary to JUDCO MANUFACTURING INC., and which is protected either as a trade secret, by U.S. Patent, or by copyright. It may not be used in any way without written express consent of JUDCO MANUFACTURING INC.