

Excellent Integrated System Limited

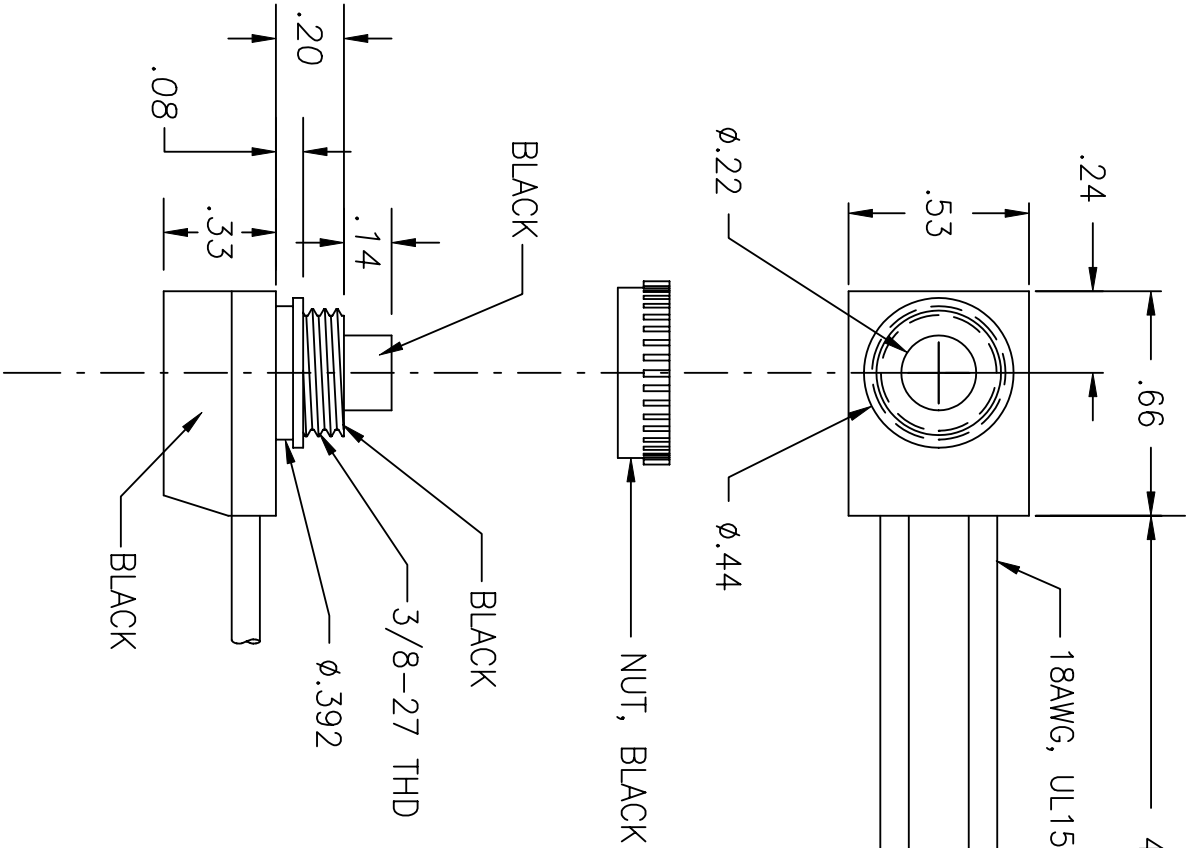
Stocking Distributor

Click to view price, real time Inventory, Delivery & Lifecycle Information:

[Judco Manufacturing, Inc.](#)
[40-4521-00](#)

For any questions, you can email us directly:

sales@integrated-circuit.com



LTR	EN	DESCRIPTION	APPR	BY	DATE
A	-	INITIAL RELEASE	RB	DC	09-18-06

0.25 STRIP W/INSULATION
(MISSING INSULATION SLUGS SHALL NOT BE CAUSE FOR REJECTION)
2X

JUDCO INVENTORY NO. 40-4521-00
SWITCH TYPE: PUSH ON-PUSH OFF, SPST
UL ELECTRICAL RATING: 125 VAC, 6A
UL TEMPERATURE RATING: 65°C
NUTS PACKED SEPARATELY.

CUSTOMER: DIGI-KEY
CUSTOMER PN: TBD

ACCEPTED BY: _____
DATE: _____

DIMENSIONS IN INCHES
DIMENSIONS ARE REFERENCE

DRAWN: DC 09-18-06
APPR: KU 09-18-06

141SU1022A.DWG

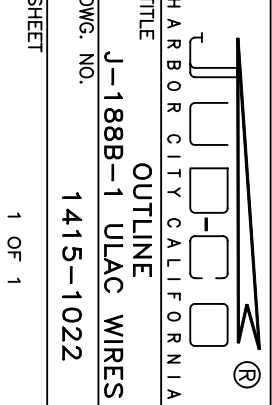
HARBOR CITY CALIFORNIA

OUTLINE

J-188B-1 ULAC WIRES

DWG. NO. 1415-1022

SHEET 1 OF 1



This document embodies a product, component, and/or design proprietary to JUDCO MANUFACTURING INC., and which is protected either as a trade secret, by U.S. Patent, or by copyright. It may not be used in any way without written consent of JUDCO MANUFACTURING INC.