

Excellent Integrated System Limited

Stocking Distributor

Click to view price, real time Inventory, Delivery & Lifecycle Information:

[C-TON Industries](#)
[BDR-999R](#)

For any questions, you can email us directly:
sales@integrated-circuit.com

LED Digital Panel Meters

2.3" Numeral Multifunction Meter LARGE 3½ Digit LED Display

FEATURES

- ▶ RED, GREEN OR BLUE LED
- ▶ Bezel mount or 180° bracket mounting in multiple planes
- ▶ Resistant to RF and EMI
- ▶ Durable metal case
- ▶ Highly visible 2.3" LED display
- ▶ Multifunction loop, set voltage, adjustable voltage inputs, all included
- ▶ Isolated AC/DC supply works in many control applications



SPECIFICATIONS

DISPLAY

Digits: 3 ½ digits (±1999 counts)
Type: 2.3" (58.4mm) - 7 segment LED red, green or blue digits

INPUTS

Set Voltage Ranges: ±200 mV, ± 2 V, ±20 VDC
Configuration: bipolar differential
Protection: ±350 VDC, (±100 VDC on 200 mV range)
Impedance: >1 MΩ, (>10 MΩ on 200 mV range)
Adj. Voltage Ranges: 200 mV, 5 V, 10 VDC
Offset Range: -1999 to +1999
Gain Range: 1 to 1000
4-20mA Loop Ranges: 4 to 20mA DC
Configuration: bipolar differential
Protection: ±30mA
Loop Impedance: 300Ω nominal

PERFORMANCE

Accuracy: ± (0.1% fs + 1 count)
Conversion Rate: 3 per second
Normal Mode Rejection: >30 dB @ 60 Hz
Common Mode Rej.: >86 dB
Zero Adjustment: automatic on set voltage ranges
Warmup: 10 minutes typical
Temperature Coeff.: ±100 ppm per °C typical

ENVIRONMENT

Operating Range: -10 to 50 °C
Storage Range: -40 to 75 °C

POWER SUPPLY

BDR-999: 90 to 250 VAC @ 12 VA
BDR-924: 10.5 to 30 VAC/DC @ 6 VA

MOUNTING

180° gimbal mounting with 30° stops,
or bezel mount

CONNECTION

screw terminals

ORDERING INFO

PART NUMBER	METER POWER	COLOR
BDR-999R.....	90 - 250 VAC	RED
BDR-999G.....	90 - 250 VAC	GREEN
BDR-999B.....	90 - 250 VAC	BLUE
BDR-924R.....	10.5 - 30 VAC/DC	RED
BDR-924G.....	10.5 - 30 VAC/DC	GREEN
BDR-924B.....	10.5 - 30 VAC/DC	BLUE

ACCESSORIES

CVCCalibrator

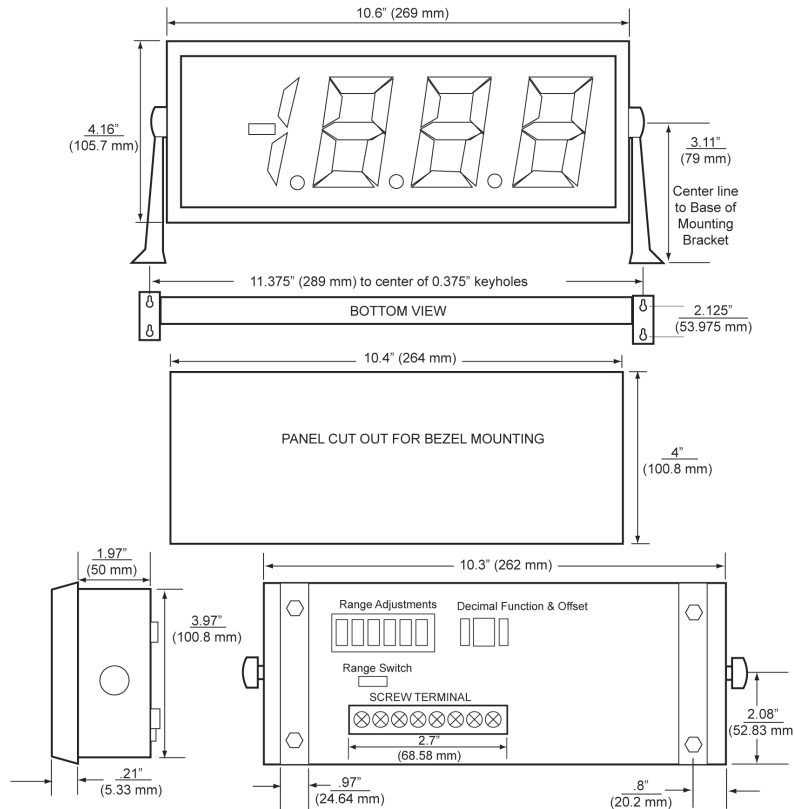


Specifications Installation and Operating Instructions
LED Digital Panel Meters
 2.3" Numeral Multifunction Meter LARGE 3½ Digit LED Display

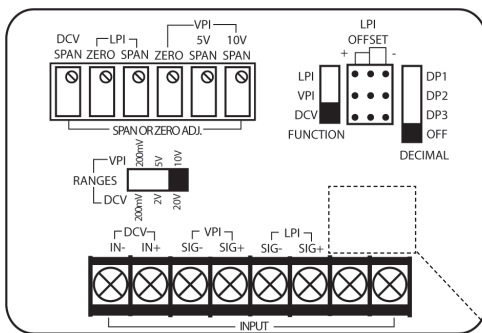
BDR Series



DIMENSIONS



WIRING & CALIBRATION



1. Set function switch in correct position (LPI, VPI, DCV).
2. Set voltage input range switch in correct position (200mV, 2V/5V, 20V/10V).
3. Attach input wires to appropriate screw terminals.
4. Attach power wires to AC/DC power screw terminals.
5. Power unit up.
6. Apply lowest input into meter, adjust correct zero pot for required reading (N/A on DCV function).
7. Apply highest input into meter, adjust correct span pot for required reading.
8. Recheck zero input and adjust again as needed.
9. Check reading at mid-point for required reading.
10. Select appropriate decimal as required.

*** LPI OFFSET PIN POSITIONS**

In "+" position enables user to have negative zero readings.
 In "-" position enables user to have positive zero readings.

AC POWER
 [90V - 250V]
 AC AC
(BDR-999)

OR

AC POWER
 [10.5V - 30V]
 AC or DC
(BDR-924)