

Excellent Integrated System Limited

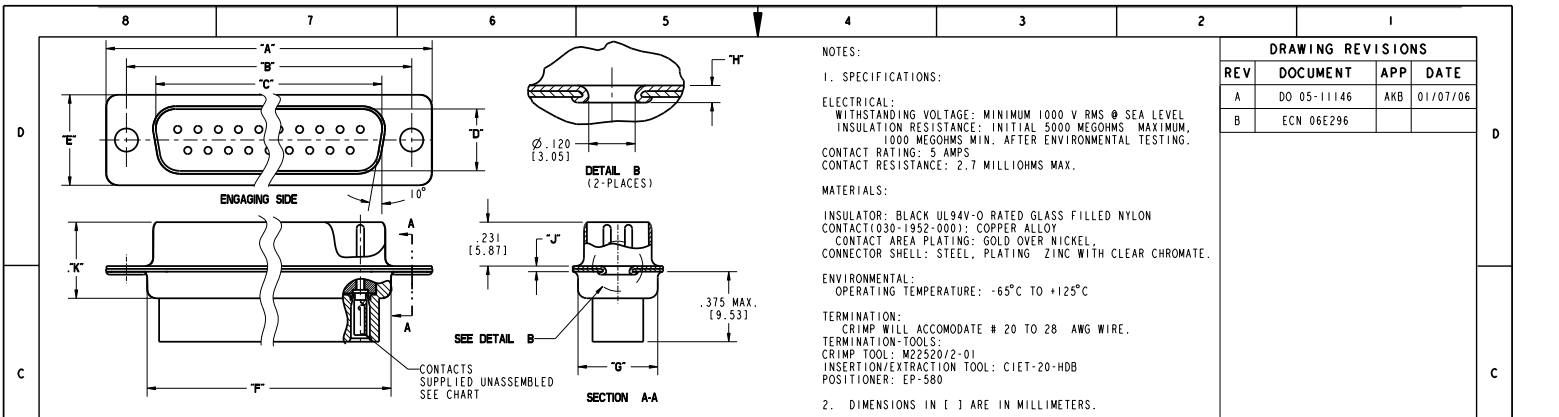
Stocking Distributor

Click to view price, real time Inventory, Delivery & Lifecycle Information:

[Bel Fuse Inc.](#)
[DAUH-15P-FO](#)

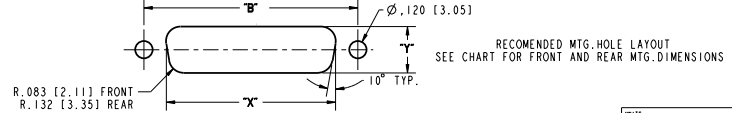
For any questions, you can email us directly:

sales@integrated-circuit.com

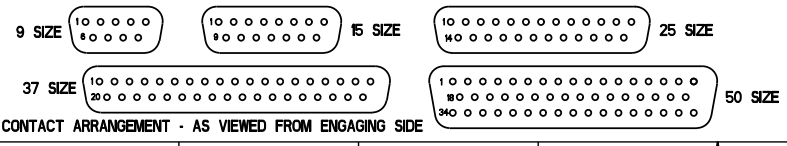


DRAWING REVISIONS			
REV	DOCUMENT	APP	DATE
A	DO 05-11146	AKB	01/07/06
B	ECN 06E296		

NUMBER OF POSITIONS	SELECTIVE GOLD FLASH PLATING (.120" [3.05] MTG. HOLES)		CONTACTS	DIMENSION										FRONT MOUNTING HOLE DIMENSIONS		REAR MOUNTING HOLE DIMENSIONS	
	PART NO.	FACTORY NO.		"A"	"B"	"C"	"D"	"E"	"F"	"G"	"H"	"J"	"K"	"X"	"Y"	"X"	"Y"
9	DEUH-9P	702 03 09 001	INCLUDED	1.213 [30.81]	.984 [24.99]	.697 [17.70]			.759 [19.28]				.874 [22.20]		.806 [20.47]		
	DEUH-9P-FO	702 03 09 005	NOT INCLUDED				.360 [9.14]					.030 [.76]	.422 [10.72]				
15	DAUH-15P	702 03 15 001	INCLUDED	1.541 [39.14]	1.312 [33.32]	1.025 [26.03]		.494 [12.55]	1.083 [27.51]	.422 [10.72]	.045 [1.14]		1.202 [30.53]	.513 [13.03]	1.134 [28.80]	.449 [11.40]	
	DAUH-15P-FO	702 03 15 005	NOT INCLUDED														
25	DBUH-25P	702 03 25 001	INCLUDED	2.088 [53.04]	1.852 [47.04]	1.583 [40.21]		.378 [9.60]	1.629 [41.38]				1.743 [44.27]		1.674 [42.52]		
	DBUH-25P-FO	702 03 25 005	NOT INCLUDED														
37	DCUH-37P	702 03 37 001	INCLUDED	2.729 [69.32]	2.500 [64.50]	2.231 [56.67]		.378 [9.60]	2.272 [57.71]				2.391 [60.73]		2.326 [59.08]		
	DCUH-37P-FO	702 03 37 005	NOT INCLUDED														
50	DDUH-50P	702 03 50 001	INCLUDED	2.635 [66.93]	2.406 [61.11]	2.127 [54.02]	.484 [12.29]	.605 [15.37]	2.178 [55.32]	.534 [13.56]	.060 [1.52]		2.297 [58.34]	.623 [15.82]	2.218 [56.34]	.555 [14.10]	
	DDUH-50P-FO	702 03 50 005	NOT INCLUDED														



ROHS COMPLIANT



UNITS: ENGLISH	DESIGN BY: V. SKUZA	DATE: 06/17/05	TITLE: D*UH SERIES CRIMP & POWE CONNECTOR PLUG ASS'Y (.120" HOLES)
DO NOT SCALE DRAWING	DESIGN ENGINEER: A. BALI	06/17/05	MATERIAL: [] FINISH: [] PROJECT NUMBER: C14740
	DESIGN ENGINEERING MGR.: A. SHAH	07/09/05	MATERIAL SPEC NUMBER: [] CAD FILE NUMBER: DXUHXXP
	MFG. ENGINEERING: J. OCEGUERA	07/07/05	CAGE IDENT NO. [] DRAWING NUMBER: D*UH-XXP
	QUALITY ASSURANCE: A. VAZQUEZ	07/06/05	CAGE IDENT NO. [] SCALE: 1:1 SHEET 1 OF 1