

Excellent Integrated System Limited

Stocking Distributor

Click to view price, real time Inventory, Delivery & Lifecycle Information:

[Comair Rotron](#)
[821202B04000](#)

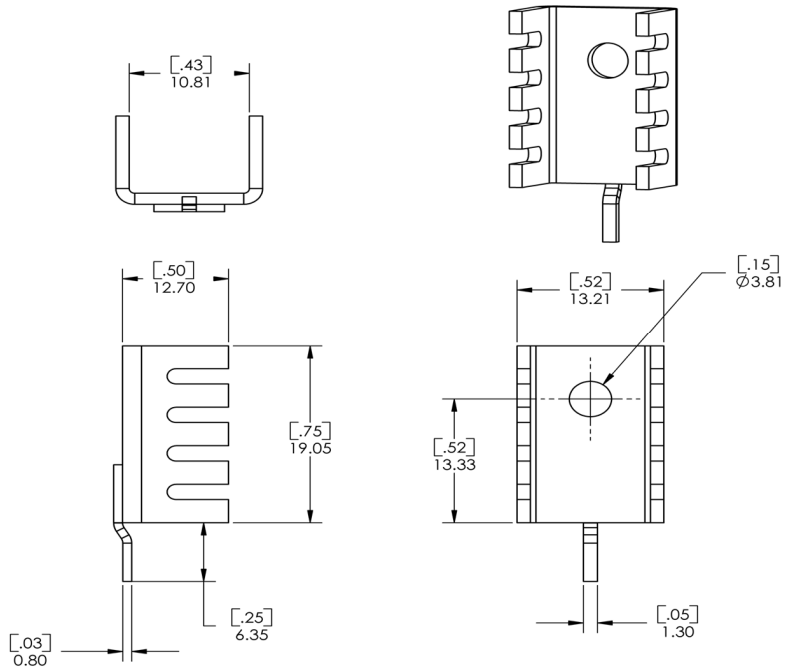
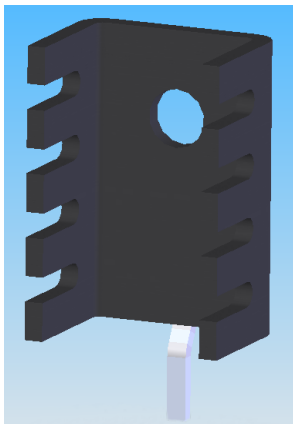
For any questions, you can email us directly:

sales@integrated-circuit.com

Board Level Heat Sinks



P/N: 821202B04000



PRODUCT SPECIFICATIONS

- Devices: TO-220
- Size: 12.7 x 13.2 x 19.1 mm
- Material: Aluminum, 1.2 mm Thick
- Weight: 1.9 grams
- Type: Stamped
- PCB Mounting: Solderable Tab
- Finish: Black Anodized
- Package: Bulk
- Accessories: Hardware & Thermal Interface Material

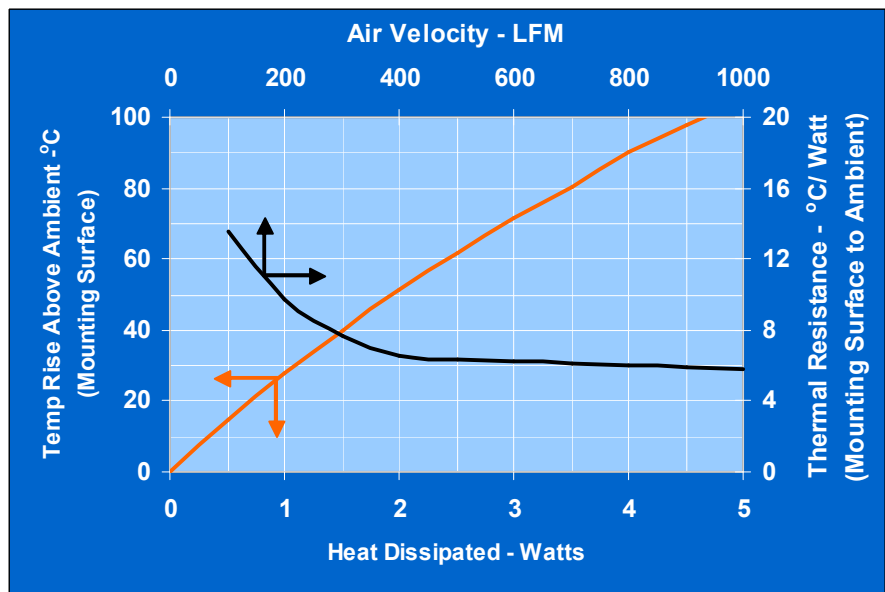
FEATURES & BENEFITS

- Hole for Device Attachment
- Vertical Mounting via Solderable Tab
- RoHS Compliant



CUSTOMIZED HEATSINKS

- Specialized Tabs, Plating
- Specialized Body Configurations
- Contact Applications Engineering



TO-220