

Excellent Integrated System Limited

Stocking Distributor

Click to view price, real time Inventory, Delivery & Lifecycle Information:

[Comair Rotron](#)
[833302B02800](#)

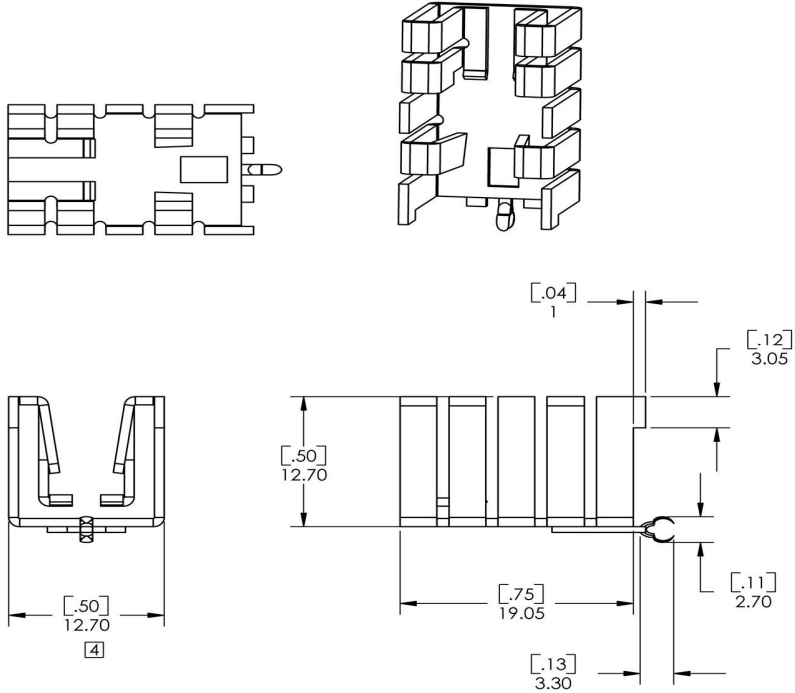
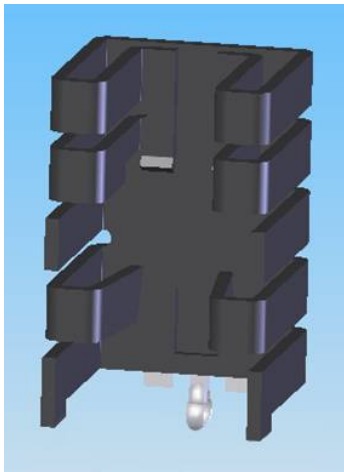
For any questions, you can email us directly:
sales@integrated-circuit.com

Board Level Heat Sinks



ThermaFlo

P/N: 833302B02800



PRODUCT SPECIFICATIONS

- Devices: TO-220 & TO-262
- Size: 19.0 x 12.7 x 12.7 mm
- Material: Aluminum, 0.8 mm thick
- Type: Stamped
- Finish: Black Anodized
- PCB Mounting: Solderable Spring Tab
- IC Mounting: Integrated Spring
- Package: Bulk

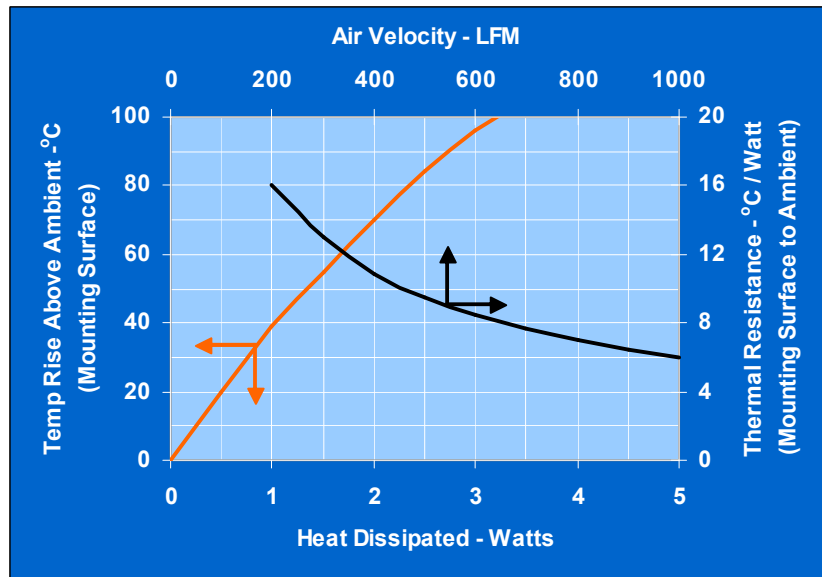
FEATURES & BENEFITS

- No Hardware Device Attachment
- Constant Spring Force Tension
- Vertical Mounting via Solderable Tab
- RoHS Compliant



CUSTOMIZED HEATSINKS

- Specialized Tabs, Plating
- Specialized Body Configurations
- Contact Applications Engineering



TO-220, TO-262