

Excellent Integrated System Limited

Stocking Distributor

Click to view price, real time Inventory, Delivery & Lifecycle Information:

[Infineon Technologies](#)

[ESD5V0S1U-03W E6327](#)

For any questions, you can email us directly:

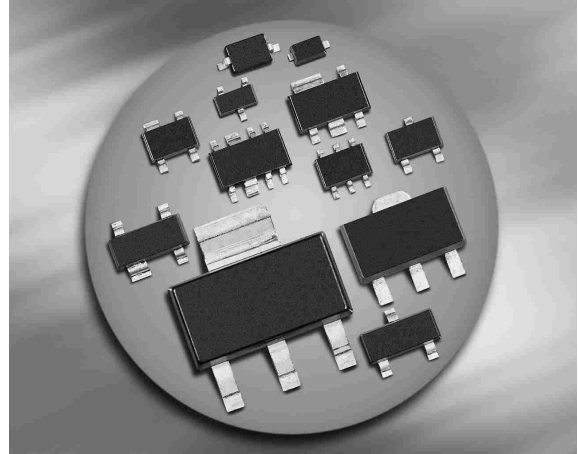
sales@integrated-circuit.com



ESD5V0S...

Silicon TVS Diodes

- ESD / transient protection of data and power lines in 3.3 V / 5 V applications according to:
 IEC61000-4-2 (ESD): ± 30 kV (contact)
 IEC61000-4-4 (EFT): 80 A (5/50 ns)
 IEC61000-4-5 (surge): 40 A/600 W (8/20 µs)
- Max. working voltage: 5 V
- Low clamping voltage
- Low reverse current
- Pb-free (RoHS compliant) package



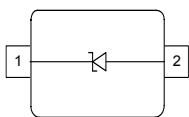
Applications

- Uni or bi-directional operation possible (see application example page 5)
- Mobile communication
- Consumer products (STB, MP3, DVD, DSC...)
- LCD displays, camera
- Notebooks and desktop computers, peripherals

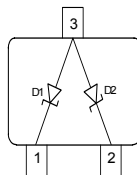
-



ESD5V0S1U-03W



ESD5V0S2U-06



Type	Package	Configuration	Marking
ESD5V0S1U-03W	SOD323	1 line, uni-directional	yellow E
ESD5V0S2U-06	SOT23	2 lines, uni-directional	E5


ESD5V0S...
Maximum Ratings at $T_A = 25^\circ\text{C}$, unless otherwise specified

Parameter	Symbol	Value	Unit
ESD contact discharge ¹⁾	V_{ESD}	30	kV
Peak pulse current ($t_p = 8 / 20 \mu\text{s}$) ²⁾	I_{pp}	40	A
Peak pulse power ($t_p = 8 / 20 \mu\text{s}$) ²⁾	P_{pk}	600	W
Operating temperature range	T_{op}	-55...125	°C
Storage temperature	T_{stg}	-65...150	

Electrical Characteristics at $T_A = 25^\circ\text{C}$, unless otherwise specified

Parameter	Symbol	Values			Unit
		min.	typ.	max.	
Characteristics -					
Reverse working voltage	V_{RWM}	-	-	5	V
Breakdown voltage $I_{(\text{BR})} = 1 \text{ mA}$	$V_{(\text{BR})}$	5.5	6.7	8	
Reverse current $V_R = 3.3 \text{ V}$ $V_R = 5 \text{ V}$	I_{R}	-	-	5 20	μA
Clamping voltage (positive transient) $I_{\text{PP}} = 5 \text{ A}, t_p = 8/20 \mu\text{s}^2$ $I_{\text{PP}} = 24 \text{ A}, t_p = 8/20 \mu\text{s}^2$ $I_{\text{PP}} = 40 \text{ A}, t_p = 8/20 \mu\text{s}^2$	V_{CL}	-	7.5 9 11	9.5 12 14	
Forward clamping voltage (negative transients) $I_{\text{PP}} = 5 \text{ A}, t_p = 8/20 \mu\text{s}^2$ $I_{\text{PP}} = 24 \text{ A}, t_p = 8/20 \mu\text{s}^2$ $I_{\text{PP}} = 40 \text{ A}, t_p = 8/20 \mu\text{s}^2$	V_{FC}	-	1.5 3 4	3 5 6	
Diode capacitance $V_R = 0 \text{ V}, f = 1 \text{ MHz}$	C_{T}	-	430	500	pF

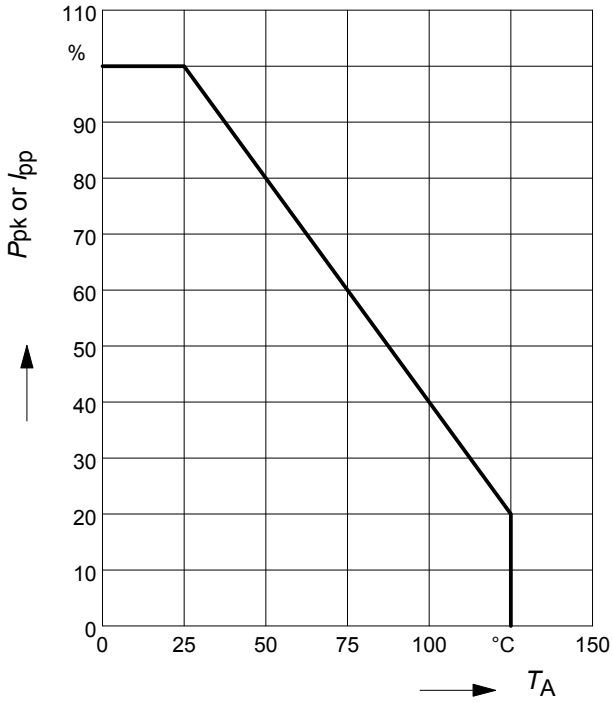
¹⁾ V_{ESD} according to IEC61000-4-2

²⁾ I_{pp} according to IEC61000-4-5

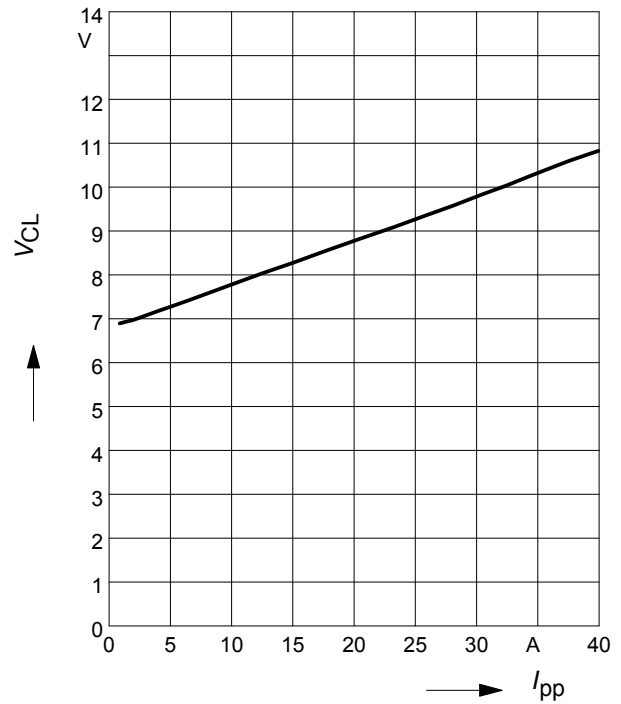


ESD5V0S...

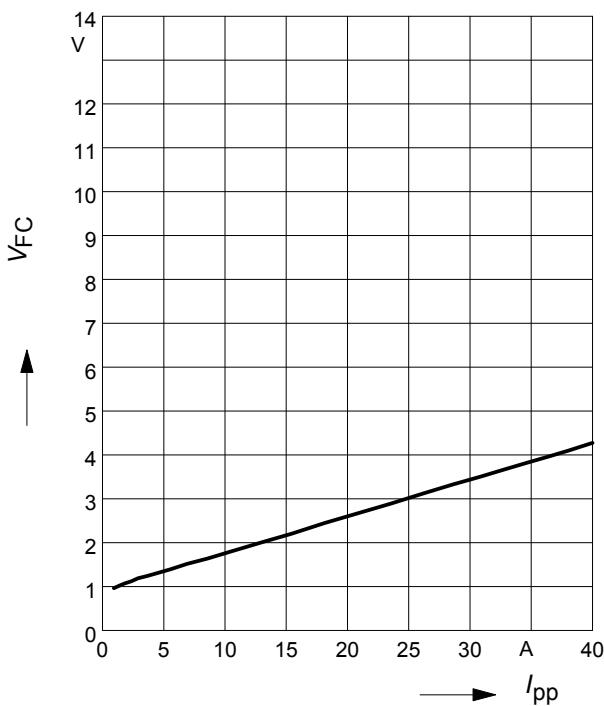
Power derating curve $P_{pk} = f(T_A)$



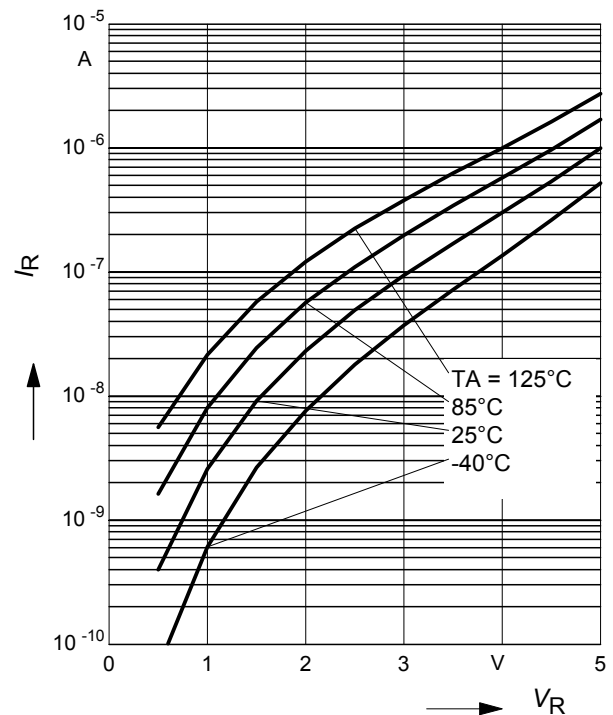
Clamping voltage $V_{cl} = f(I_{pp})$
 $t_p = 8 / 20 \mu s$ (positive transients)



Forward clamping voltage $V_{FC} = f(I_{PP})$
 $t_p = 8 / 20 \mu s$ (negative transient)



Reverse current $I_R = f(V_R)$
 $T_A = \text{Parameter}$

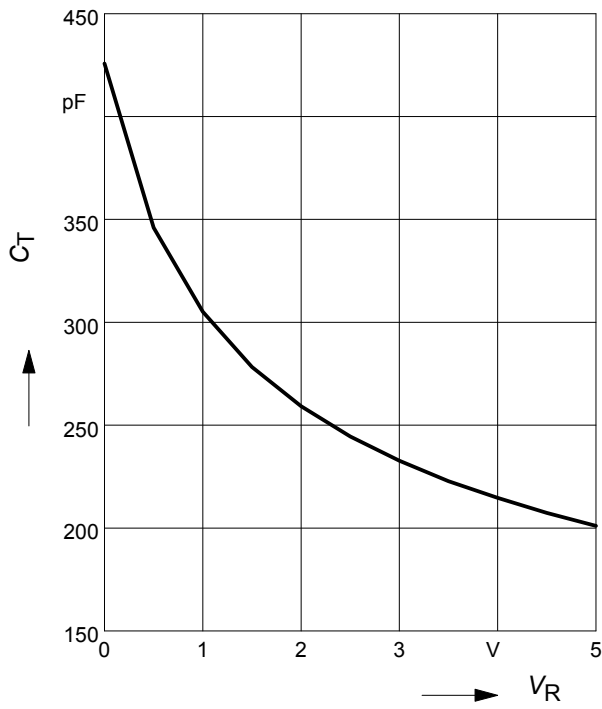




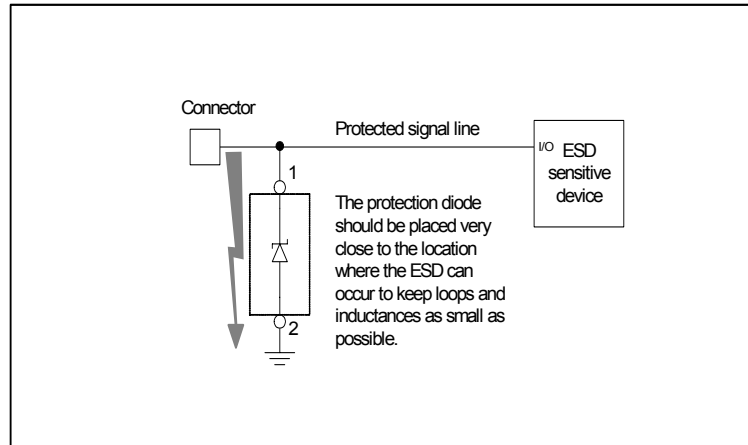
ESD5V0S...

Diode capacitance $C_T = f(V_R)$

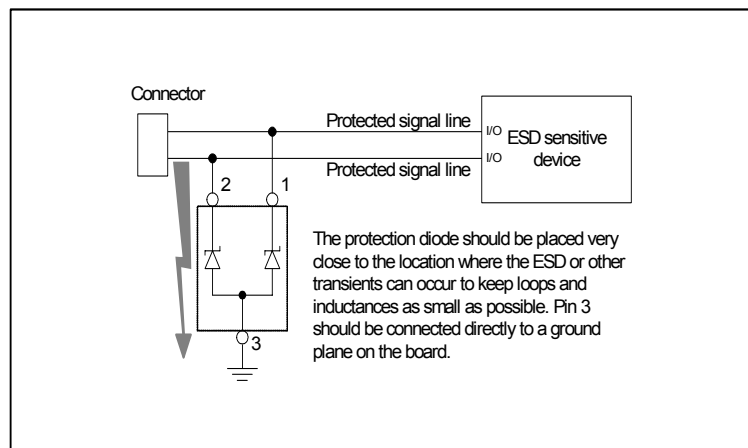
$f = 1\text{MHz}$



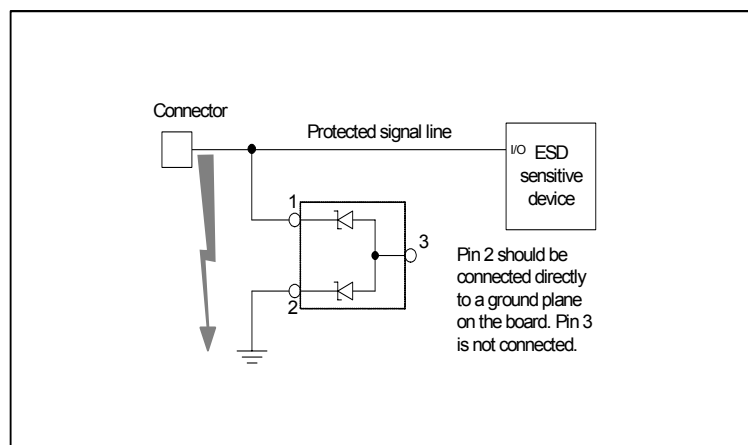
Application example ESD5V01U-03W
single channel, uni-directional



Application example ESD5V0S2U-06
dual channel, uni-directional



Application example ESD5V0S2U-06
single channel, bi-directional

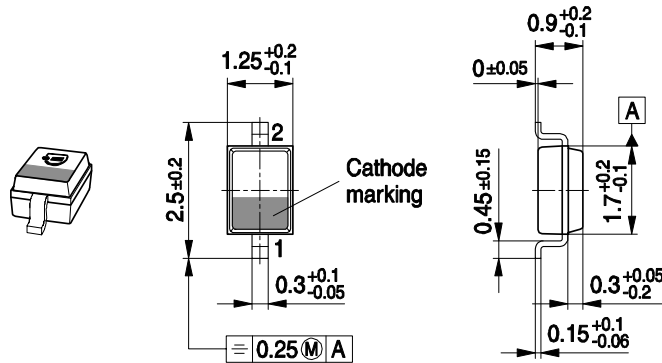




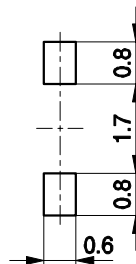
Package SOD323

ESD5V0S...

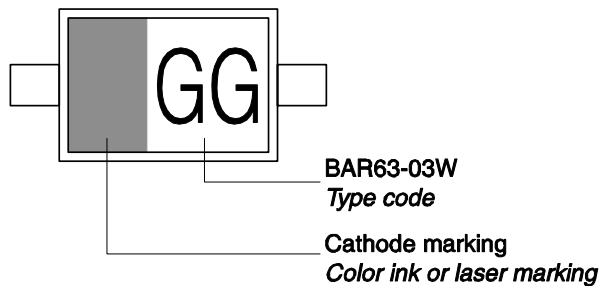
Package Outline



Foot Print

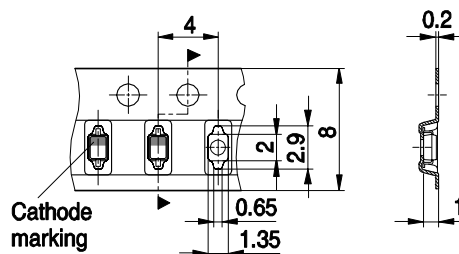


Marking Layout (Example)



Standard Packing

Reel ø180 mm = 3.000 Pieces/Reel
 Reel ø330 mm = 10.000 Pieces/Reel

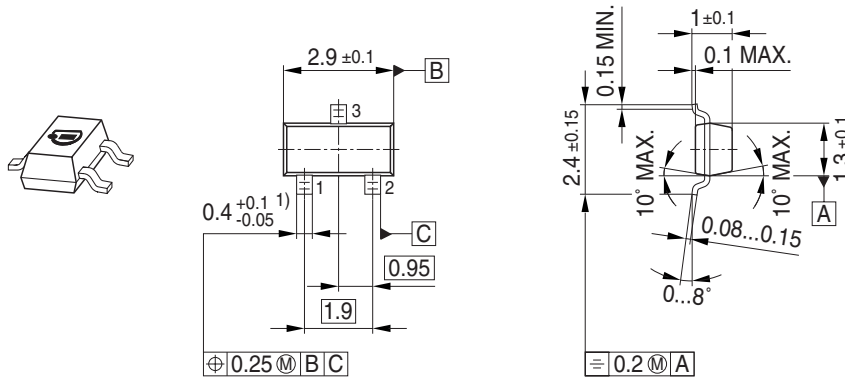




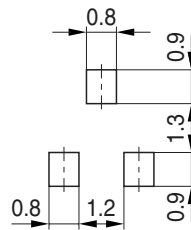
Package SOT23

ESD5V0S...

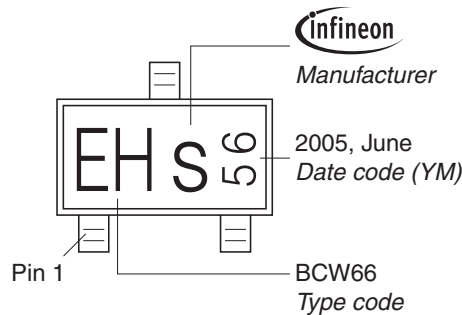
Package Outline



Foot Print

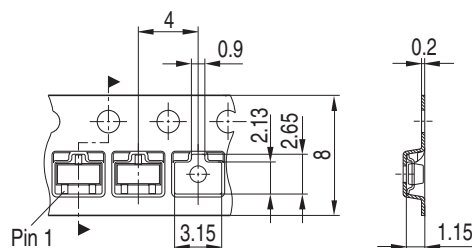


Marking Layout (Example)



Standard Packing

Reel ø180 mm = 3.000 Pieces/Reel
 Reel ø330 mm = 10.000 Pieces/Reel





Edition 2009-11-16

**Published by
Infineon Technologies AG
81726 Munich, Germany**

**© 2009 Infineon Technologies AG
All Rights Reserved.**

Legal Disclaimer

The information given in this document shall in no event be regarded as a guarantee of conditions or characteristics. With respect to any examples or hints given herein, any typical values stated herein and/or any information regarding the application of the device, Infineon Technologies hereby disclaims any and all warranties and liabilities of any kind, including without limitation, warranties of non-infringement of intellectual property rights of any third party.

Information

For further information on technology, delivery terms and conditions and prices, please contact the nearest Infineon Technologies Office (www.infineon.com).

Warnings

Due to technical requirements, components may contain dangerous substances. For information on the types in question, please contact the nearest Infineon Technologies Office.

Infineon Technologies components may be used in life-support devices or systems only with the express written approval of Infineon Technologies, if a failure of such components can reasonably be expected to cause the failure of that life-support device or system or to affect the safety or effectiveness of that device or system. Life support devices or systems are intended to be implanted in the human body or to support and/or maintain and sustain and/or protect human life. If they fail, it is reasonable to assume that the health of the user or other persons may be endangered.