

## **Excellent Integrated System Limited**

Stocking Distributor

Click to view price, real time Inventory, Delivery & Lifecycle Information:

[TE Connectivity Corcom Filters  
6609039-3](#)

For any questions, you can email us directly:

[sales@integrated-circuit.com](mailto:sales@integrated-circuit.com)

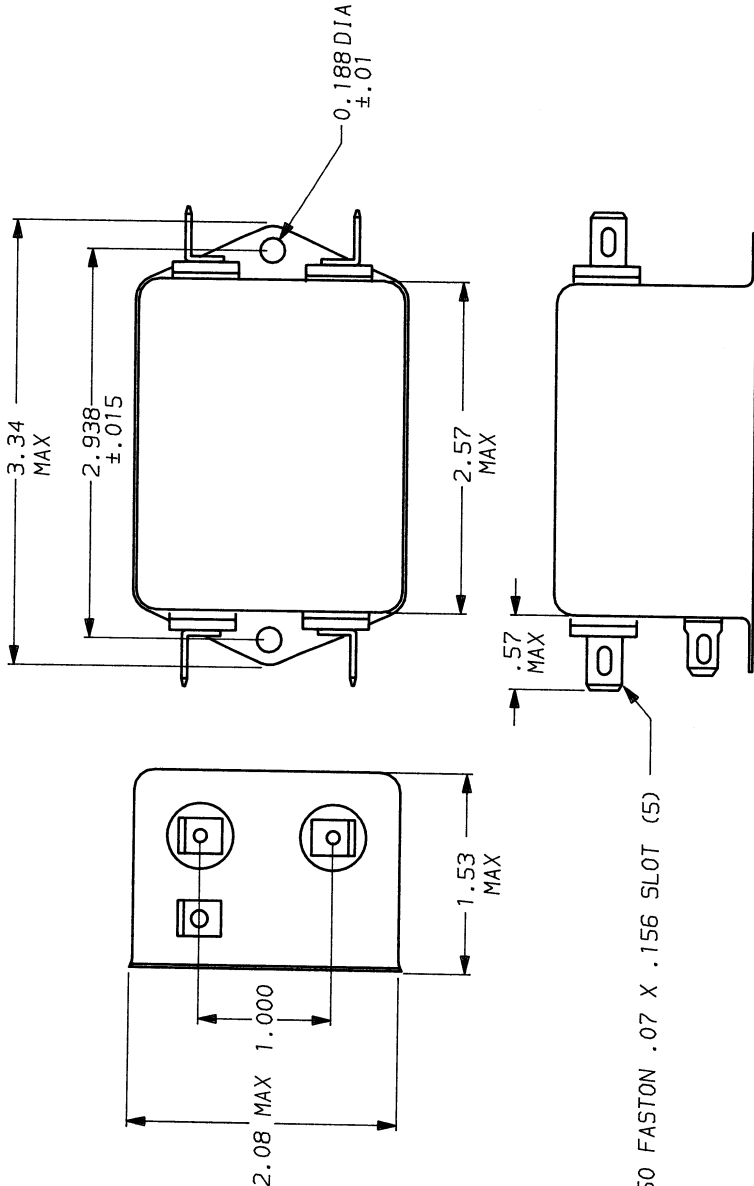


DESCRIPTION	APP'D./DATE	REV
C. Webster	8-2-90	3

SAFETY ORGANIZATION(S):

THIS FILTER HAS BEEN FORMALLY RECOGNIZED, CERTIFIED OR APPROVED BY THE LISTED AGENCY. THEREFORE, ALL TEST/REQUIREMENTS SPECIFIED IN THE LATEST REVISION OF THE FOLLOWING AGENCY STANDARDS HAVE BEEN MET:

UL RECOGNIZED  
 UL 1283



OPERATING SPECIFICATIONS:  
 LINE VOLTAGE/CURRENT: 10 AMP., 120/250 VAC

LINE FREQUENCY: 50-60Hz  
 MAX. CASE RISE  $\theta$  RATED CURRENT: 40°C  
 MAX. LEAKAGE CURRENT, EACH LINE TO GROUND: 0.5mA at 120V 60 Hz  
 OPERATING AMBIENT TEMP. RANGE: .83 mA at 250V 50 Hz  
 -10°C TO +40°C  $\theta$  RATED CURRENT,  $I_r$

IN AN AMBIENT,  $T_a$ , HIGHER THAN 40°C, THE MAXIMUM OPERATING CURRENT,  $I_o$ , IS AS FOLLOWS:  

$$I_o = I_r \sqrt{\frac{85-T_a}{45}}$$

RELIABILITY SPECIFICATIONS:  
 STORAGE TEMPERATURE: -40°C TO +85°C  
 HUMIDITY: 21 DAYS  $\theta$  40°C 95% RH  
 CURRENT OVERLOAD TEST: 6 TIMES RATED CURRENT FOR 8 SECONDS

TEST SPECIFICATIONS:  
 INDUCTANCE: 1.25 mH NOMINAL  
 CAPACITANCE: (MEASURED @ 1 KHz, 0.25 VAC MAX., 25°C ±1°C)  
 LINE TO GROUND: .011  $\mu$ F ±20%  
 LINE TO LINE: .543  $\mu$ F ±20%  
 DISCHARGE RESISTOR: 10 M $\Omega$   
 LINE/GROUND AND LINE/LINE INSULATION RESISTANCE: 5000 M $\Omega$  (MIN) AT 100 VDC  
 CW/O DISCHARGE RESISTOR) 20°C AND 50% RH

RECOMMENDED RECEIVING INSPECTION HIPOT:

LINES TO GROUND: 2250 VDC FOR 1 MINUTE  
 LINE TO LINE: 1450 VDC FOR 1 MINUTE

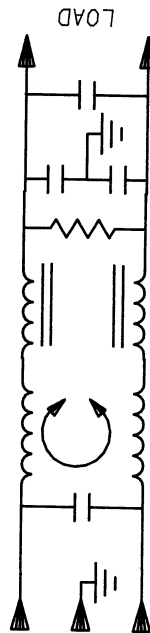
FILTER APPROVAL:

THE BEST WAY TO SELECT AND QUALIFY A FILTER IS FOR YOUR ENGINEERING TO TEST THE UNIT IN YOUR EQUIPMENT.

FREQUENCY MHZ	.15	.5	1	5	10	30
COMMON dB	19	34	42	32	44	48
DIFF. dB	40	65	65	55	50	50

50 $\Omega$  - 50 $\Omega$  (MINIMUM) INSERTION LOSS

This document is proprietary to CORCOM INC. and is not to be reproduced nor used for manufacturing purposes except on CORCOM's order or prior written consent.



 <b>corcom</b> LIBERTYVILLE, IL 60048	POWER LINE FILTER	
	SCALE	DRG. NO.
DATE	7-31-90	REV.
DESIGNED BY	CFW	1051.03
ORIGINATOR	CFW	

TOLERANCE EXCEPT AS NOTED  
 DECIMAL: .XXX .XX .X ANGLES  
 ENGLISH: ±.025 ±1.  
 METRIC: ±  
 MATERIAL: AS SUPPLIED  
 FINISH: AS SUPPLIED