

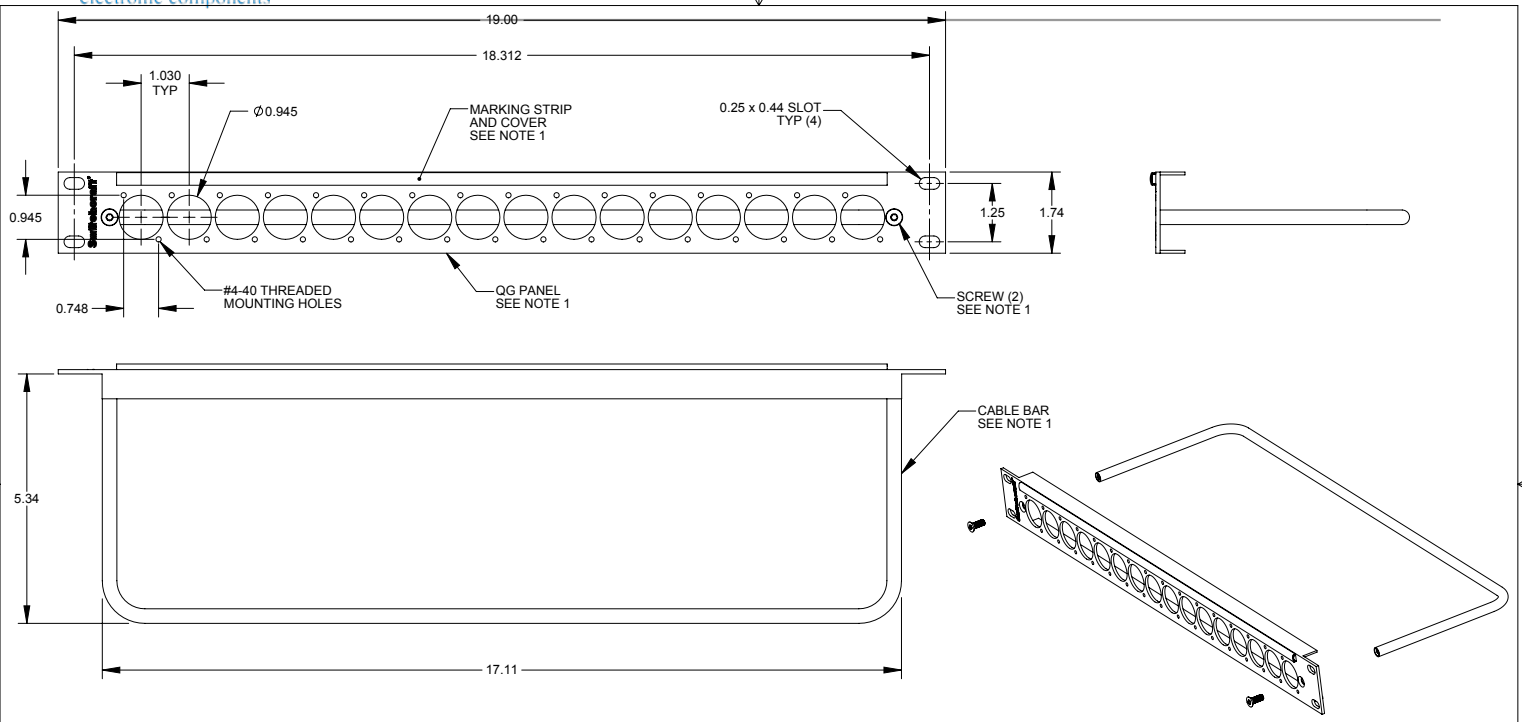
## Excellent Integrated System Limited

Stocking Distributor

Click to view price, real time Inventory, Delivery & Lifecycle Information:

[Switchcraft Inc.](#)  
[QGPK1B440](#)

For any questions, you can email us directly:  
[sales@integrated-circuit.com](mailto:sales@integrated-circuit.com)



**CUSTOMER DRAWING**

- NOTE:
- ALL PARTS SHIPPED UNASSEMBLED.
  - MATERIALS:  
 QG PANEL - ALUMINUM, BLACK ANODIZED  
 CABLE BAR - STEEL, BLACK EPOXY  
 SCREWS - STEEL, BLACK ZINC  
 MARKING STRIP - THERMOPLASTIC, WHITE  
 MARKING STRIP COVER - THERMOPLASTIC, CLEAR

REV	ECO NUMBER	DATE	BY	APVD
B	25074	6-13-05	TJK	TJK
REVISIONS				

UNLESS OTHERWISE SPECIFIED					THIS DRAWING DESCRIBES A DESIGN CONSIDERED PROPRIETARY IN NATURE, DEVELOPED AND MANUFACTURED BY SWITCHCRAFT INC. AND IS RELEASED ON A CONFIDENTIAL BASIS FOR IDENTIFICATION PURPOSES ONLY.				
SIZE		WIDTH	MULT	LBS/M	TEMPER				
FINISH SPEC No.					MATERIAL SPEC No.				
FIRST USED ON			SCALE		<b>Switchcraft®</b>				
DATE DRAWN		BY	CHKD	APVD					
5-17-11	TJK	TJK	5-17-11	5-17-11	SHEET 1 OF 1				
NAME BLANK QG PATCH PANEL					PART No.		REV		
1.75" HIGH, #4-40 MTG HOLES					QGPK1B440		B		

DO NOT SCALE DRAWING



SolidWorks CAD File