

Excellent Integrated System Limited

Stocking Distributor

Click to view price, real time Inventory, Delivery & Lifecycle Information:

[Diodes Incorporated](#)
[AP1507-12D5L-13](#)

For any questions, you can email us directly:

sales@integrated-circuit.com

Description

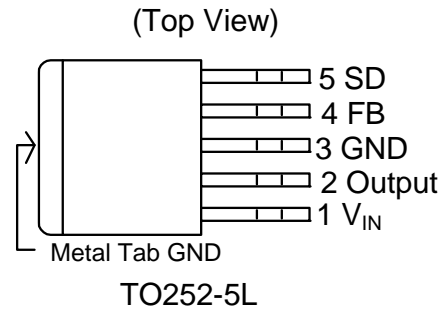
The AP1507 is a monolithic IC designed for a step-down DC/DC converter and is capable of driving a 3A load without an external transistor. Due to reducing the number of external components, the board space can be saved easily. The external shutdown function can be controlled by logic level and then come into standby mode. The internal compensation makes the feedback control have good line and load regulation without an external design. Regarding the protected function, the thermal shutdown is to prevent over temperature operating from damaging the device, and current limit is against over current operating of the output switch. If the current limit function occurred and V_{FB} is down to 0.5V below, the switching frequency will be reduced. The AP1507 series operates at a switching frequency of 150KHz thus allowing smaller sized filter components than what would be needed with lower frequency switching regulators. Other features include a guaranteed $\pm 4\%$ tolerance on output voltage under specified input voltage and output load conditions, and $\pm 15\%$ on the oscillator frequency. The output version included a fixed 3.3V, 5V, 12V, and an adjustable type. AP1507 is available in a 5-lead TO-252 lead-free or green package.

Features

- Output Voltage: 3.3V, 5V, 12V and Adjustable Output Version
- Adjustable Version Output Voltage Range, 1.23V to 18V $\pm 4\%$
- 150KHz $\pm 15\%$ Fixed Switching Frequency
- Voltage Mode Non-Synchronous PWM Control
- Thermal-Shutdown and Current-Limit Protection
- ON/OFF Shutdown Control Input
- Operating Voltage can be up to 22V
- Output Load Current: 3A
- Low Power Standby Mode
- Built-in Switching Transistor On Chip
- AP1507-XXD5L-XX
 - **Totally Lead-Free; RoHS Compliant (Notes 1 & 2)**
- AP1507-XXD5-XX
 - **Totally Lead-Free & Fully RoHS Compliant (Notes 1 & 2)**
 - **Halogen and Antimony Free. "Green" Device (Note 3)**

Notes: 1. No purposely added lead. Fully EU Directive 2002/95/EC (RoHS) & 2011/65/EU (RoHS 2) compliant.
 2. See <http://www.diodes.com> for more information about Diodes Incorporated's definitions of Halogen- and Antimony-free, "Green" and Lead-free.
 3. Halogen- and Antimony-free "Green" products are defined as those which contain <900ppm bromine, <900ppm chlorine (<1500ppm total Br + Cl) and <1000ppm antimony compounds.

Pin Assignments

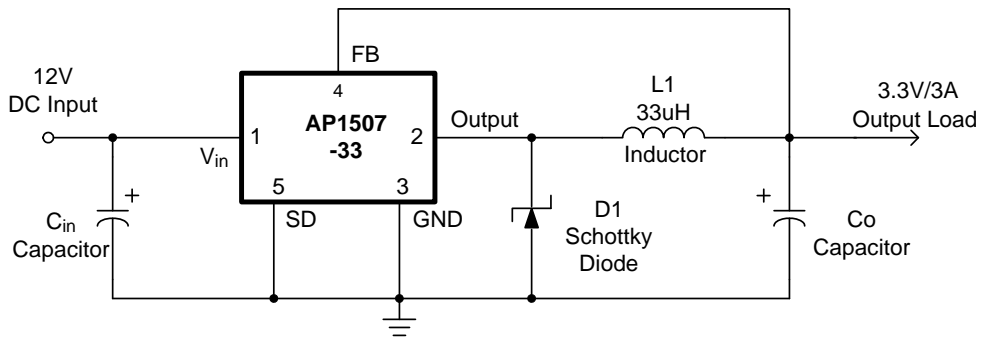


Applications

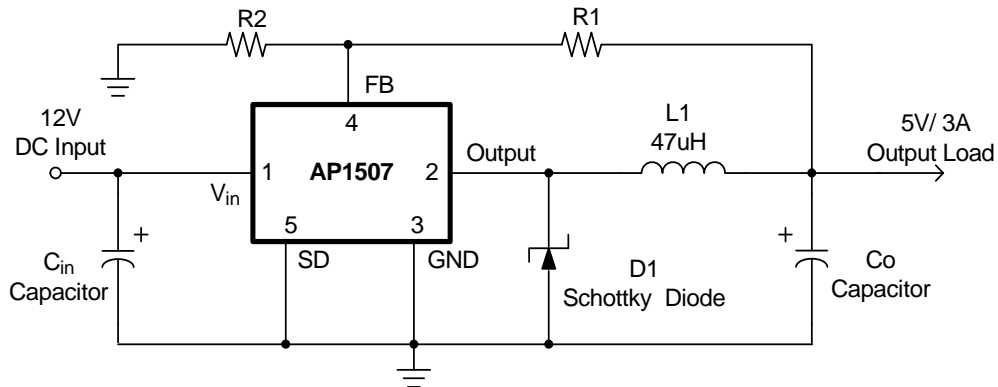
- Simple High-Efficiency Step-Down Regulator
- On-Card Switching Regulators
- Positive to Negative Converter

Typical Application Circuit

(1) Fixed Type Circuit



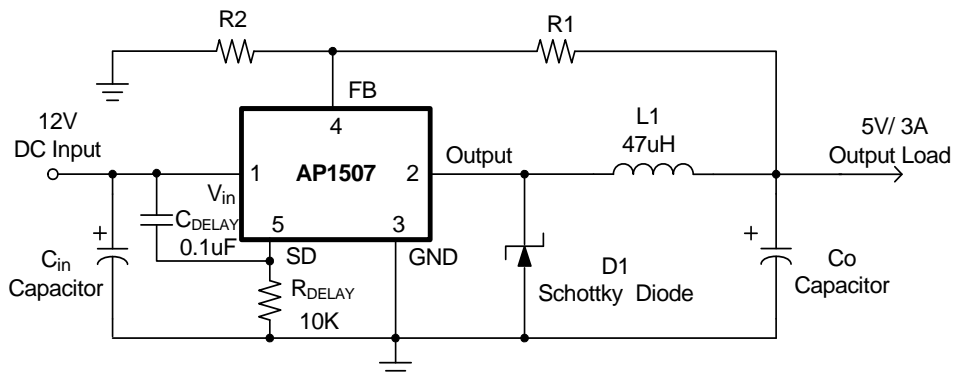
(2) Adjustable Type Circuit



$$V_{OUT} = V_{FB} \times \left(1 + \frac{R1}{R2}\right)$$

$$V_{FB} = 1.23V, R2 = 1K \sim 3K$$

(3) Delay Start Circuit





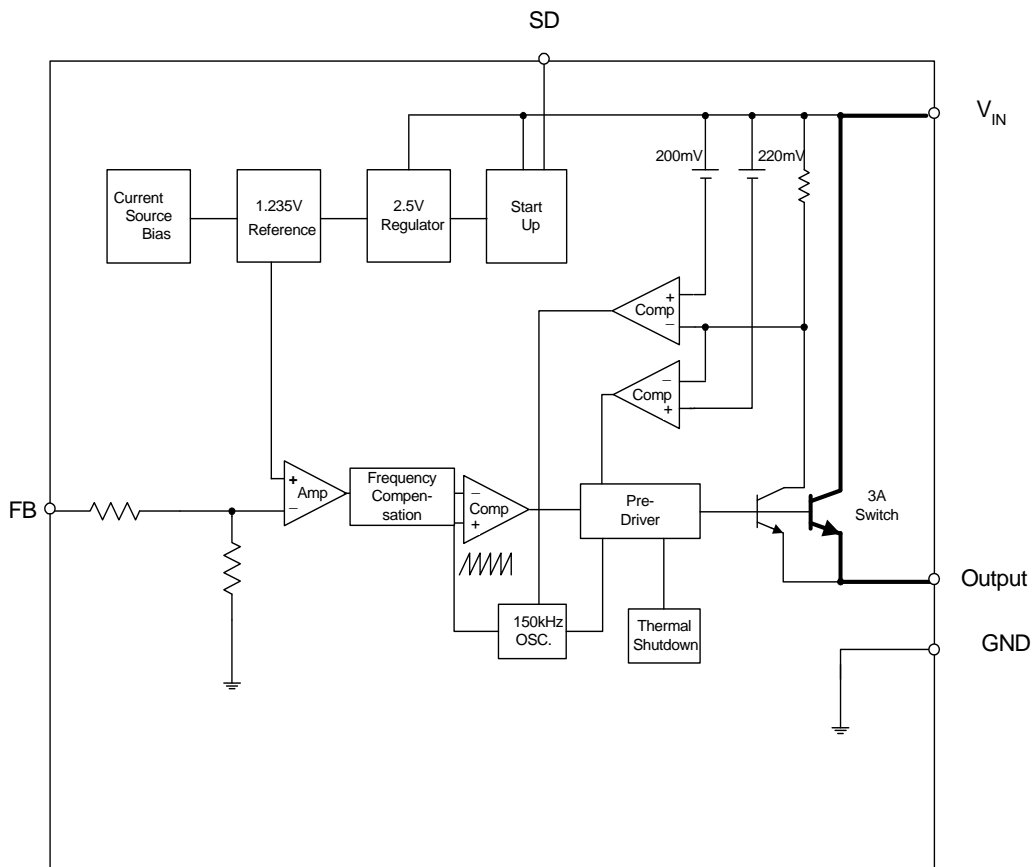
AP1507

150KHz, 3A PWM BUCK DC/DC CONVERTER

Pin Descriptions

| Pin Number | Pin Name | Description |
|------------|-----------------|---------------------------------|
| 1 | V _{IN} | Operating Voltage Input |
| 2 | Output | Switching Output |
| 3 | GND | Ground |
| 4 | FB | Output Voltage Feedback Control |
| 5 | SD | ON / OFF Shutdown |

Functional Block Diagram





AP1507

150KHz, 3A PWM BUCK DC/DC CONVERTER

Absolute Maximum Ratings (T_A = 25°C) (Note4)

| Symbol | Parameter | Rating | Unit |
|------------------|---------------------------------|--------------------|------|
| ESD HBM | Human Body Model ESD Protection | 2 | KV |
| ESD MM | Machine Model ESD Protection | 200 | V |
| V _{CC} | Supply Voltage | +24 | V |
| V _{SD} | ON/OFF Pin Input Voltage | -0.3 to +18 | V |
| V _{FB} | Feedback Pin Voltage | -0.3 to +18 | V |
| V _{OUT} | Output Voltage to Ground | -1 | V |
| P _D | Power Dissipation | Internally Limited | W |
| T _{ST} | Storage Temperature | -65 to +150 | °C |
| T _J | Operating Junction Temperature | -40 to +125 | °C |

Note: 4. Stresses greater than the 'Absolute Maximum Ratings' specified above, may cause permanent damage to the device. These are stress ratings only; functional operation of the device at these or any other conditions exceeding those indicated in this specification is not implied. Device reliability may be affected by exposure to absolute maximum rating conditions for extended periods of time.

Recommended Operating Conditions (T_A = 25°C)

| Symbol | Parameter | Min | Max | Unit |
|------------------|-------------------------------|-----|-----|------|
| I _{OUT} | Output Current | 0 | 3 | A |
| V _{OP} | Operating Voltage | 4.5 | 22 | V |
| T _A | Operating Ambient Temperature | -20 | +85 | °C |



AP1507

150KHz, 3A PWM BUCK DC/DC CONVERTER

Electrical Characteristics (All Output Voltage Versions)

Unless otherwise specified, $V_{IN} = 12V$ for 3.3V, 5V, adjustable version and $V_{IN} = 18V$ for the 12V version. $I_{LOAD} = 0.5A$
 Specifications with **boldface type** are for full operating temperature range, the other type are for $T_J = 25^\circ C$.

| Symbol | Parameter | | Conditions | Min | Typ | Max | Unit |
|---------------|---|--|---|---------------------|------|--------------------|--------------|
| I_{FB} | Feedback Bias Current | | $V_{FB} = 1.3V$ (Adjustable Version Only) | | -10 | -50 -100 | nA |
| F_{OSC} | Oscillator Frequency | | | 127 110 | 150 | 173 173 | KHz |
| F_{SCP} | Oscillator Frequency of Short Circuit Protect | | When current limit Occurred and $V_{FB} < 0.5V$, $T_A = 25^\circ C$ | 10 | 30 | 50 | KHz |
| V_{SAT} | Saturation Voltage | | $I_{OUT} = 3A$ No Outside Circuit $V_{FB} = 0V$ Force Driver On | | 1.4 | 1.6 1.7 | V |
| DC | Max. Duty Cycle (ON) | | $V_{FB} = 0V$ Force Driver On | | 100 | | % |
| | Min. Duty Cycle (OFF) | | $V_{FB} = 12V$ Force Driver Off | | 0 | | |
| I_{CL} | Current Limit | | Peak Current No Outside Circuit $V_{FB} = 0V$ Force Driver On | 3.6 | 4.5 | 5.5 6.5 | A |
| I_{LEAK} | Output = 0V | Output leakage current | No Outside Circuit $V_{FB} = 12V$ Force Driver Off | | | -200 | μA |
| | Output = -1V | | $V_{IN} = 22V$ | | -5 | | mA |
| I_Q | Quiescent Current | | $V_{FB} = 12V$ Force Driver Off | | 5 | 10 | mA |
| I_{STBY} | Standby Quiescent Current | | ON/OFF Pin = 5V $V_{IN} = 22V$ | | 70 | 150 200 | μA |
| | V_{IL} | ON/OFF Pin Logic Input Threshold Voltage | Low (Regulator ON) | - | 1.3 | 0.6 | V |
| V_{IH} | | High (Regulator OFF) | 2.0 | - | | | |
| I_H | ON/OFF Pin Logic Input Current | | $V_{LOGIC} = 2.5V$ (OFF) | | | -0.01 | μA |
| I_L | ON/OFF Pin Input Current | | $V_{LOGIC} = 0.5V$ (ON) | | -0.1 | -1 | |
| θ_{JA} | Thermal Resistance | | TO252-5L | Junction to Case | | 10 | $^\circ C/W$ |
| θ_{JC} | Thermal Resistance with copper area of approximately 2cm x2cm | | TO252-5L | Junction to Ambient | | 50 | $^\circ C/W$ |



AP1507

150KHz, 3A PWM BUCK DC/DC CONVERTER

Electrical Characteristics (All Output Voltage Versions)

Specifications with **boldface type** are for full operating temperature range, the other type are for $T_J = 25^\circ\text{C}$.

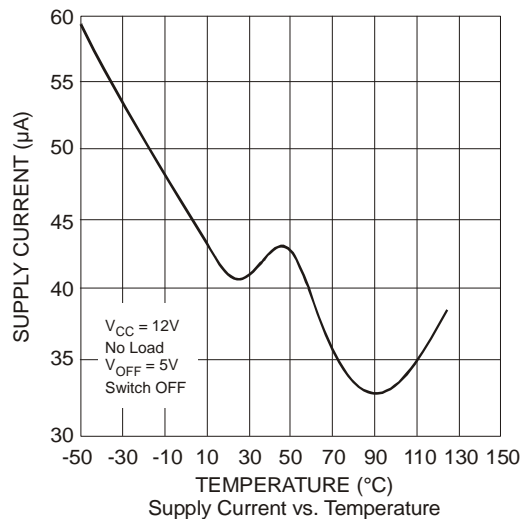
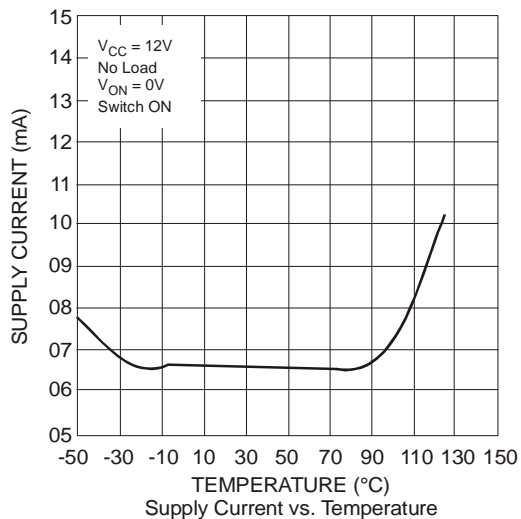
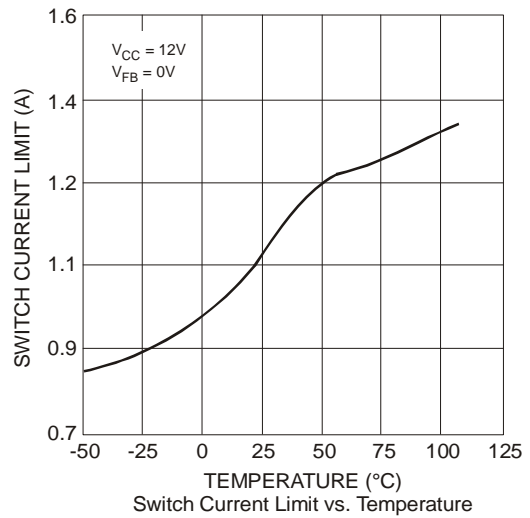
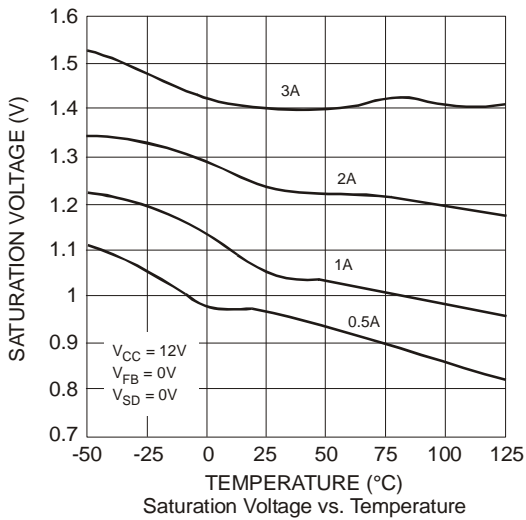
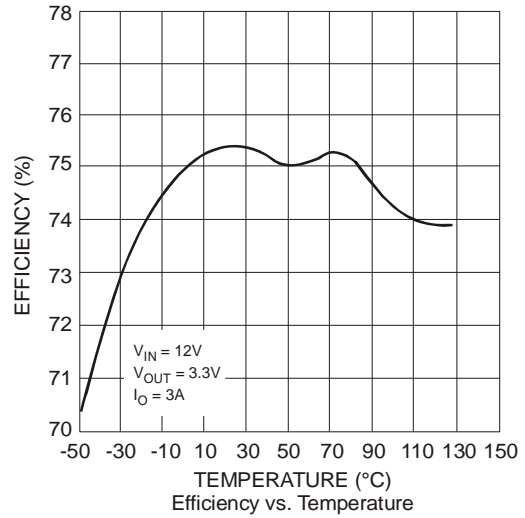
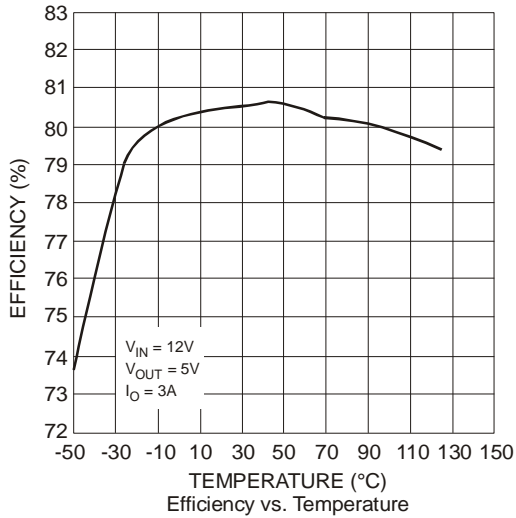
| | Symbol | Parameter | Conditions | V _{MIN} | Typ. | V _{MAX} | Unit |
|-------------|------------------|-----------------|---|-----------------------|------|-----------------------|------|
| AP1507-ADJ | V _{FB} | Output Feedback | 5V ≤ V _{IN} ≤ 22V 0.2A ≤ I _{LOAD} ≤ 3A V _{OUT} Programmed for 3V | 1.193 1.18 | 1.23 | 1.267 1.28 | V |
| | η | Efficiency | V _{IN} = 12V, I _{LOAD} = 3A | | 74 | | % |
| AP1507-3.3V | V _{OUT} | Output Voltage | 5.5V ≤ V _{IN} ≤ 22V 0.2A ≤ I _{LOAD} ≤ 3A | 3.168 3.135 | 3.3 | 3.432 3.465 | V |
| | η | Efficiency | V _{IN} = 12V, I _{LOAD} = 3A | | 75 | | % |
| AP1507-5V | V _{OUT} | Output Voltage | 8V ≤ V _{IN} ≤ 22V 0.2A ≤ I _{LOAD} ≤ 3A | 4.8 4.75 | 5 | 5.2 5.25 | V |
| | η | Efficiency | V _{IN} = 12V, I _{LOAD} = 3A | | 80 | | % |
| AP1507-12V | V _{OUT} | Output Voltage | 15V ≤ V _{IN} ≤ 22V 0.2A ≤ I _{LOAD} ≤ 3A | 11.52 11.4 | 12 | 12.48 12.6 | V |
| | η | Efficiency | V _{IN} = 16V, I _{LOAD} = 3A | | 89 | | % |



AP1507

150KHz, 3A PWM BUCK DC/DC CONVERTER

Typical Characteristics

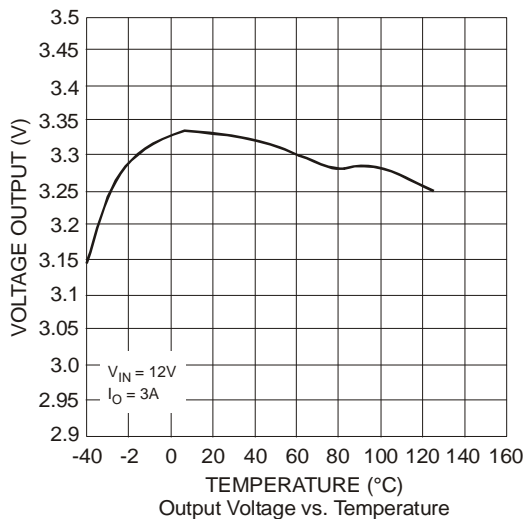
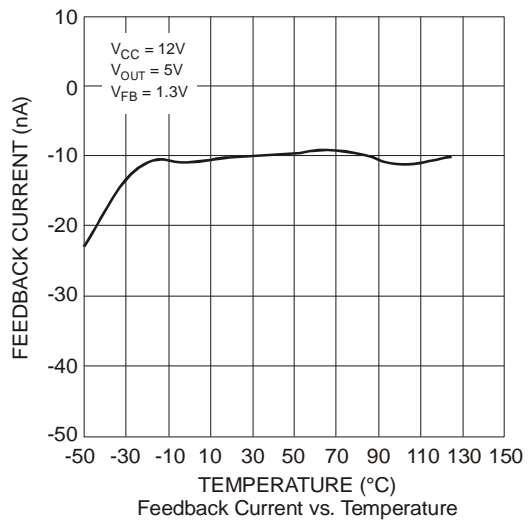
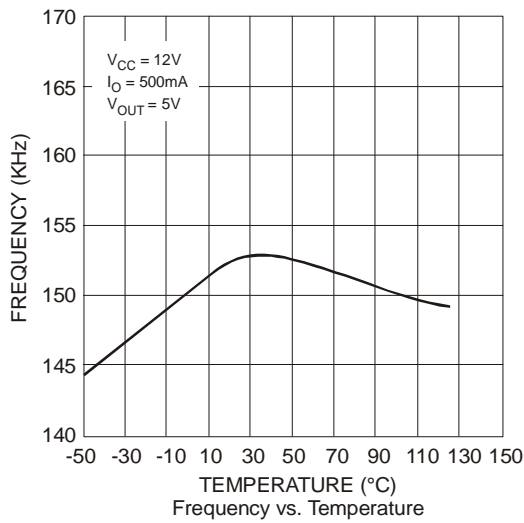
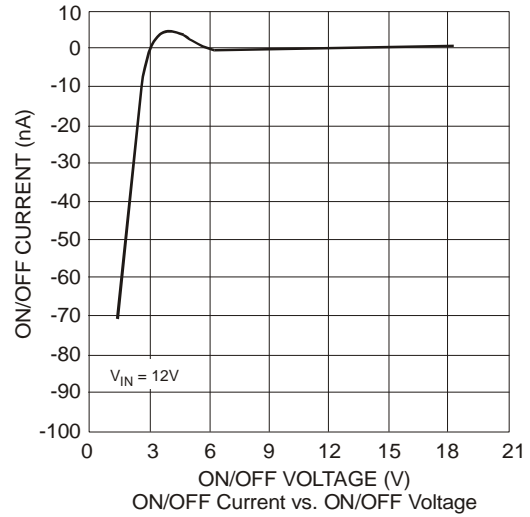
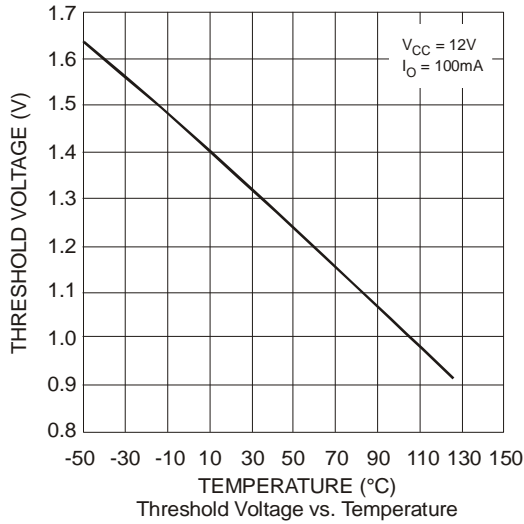




AP1507

150KHz, 3A PWM BUCK DC/DC CONVERTER

Typical Characteristics (cont.)





AP1507

150KHz, 3A PWM BUCK DC/DC CONVERTER

Application Information

Pin Functions

+V_{IN}

This is the positive input supply for the IC switching regulator. A suitable input bypass capacitor must be present at this pin to minimize voltage transients and to supply the switching currents needed by the regulator.

Ground

Circuit ground.

Output

Internal switch. The voltage at this pin switches between (+V_{IN} - V_{SAT}) and approximately - 0.5V, with a duty cycle of approximately V_{OUT} / V_{IN}. To minimize coupling to sensitive circuitry, the PC board copper area connected to this pin should be kept at a minimum.

Feedback (FB)

Senses the regulated output voltage to complete the feedback loop.

ON/OFF (SD)

Allows the switching regulator circuit to be shutdown using logic level signals thus dropping the total input supply current to approximately 150uA. Pulling this pin below a threshold voltage of approximately 1.3V turns the regulator on, and pulling this pin above 1.3V (up to a maximum of 18V) shuts the regulator down. If this shutdown feature is not needed, the ON/OFF pin can be wired to the ground pin.

Thermal Considerations

The TO-252 surface mount package tab is designed to be soldered to the copper on a printed circuit board. The copper and the board are the heat sink for this package and the other heat producing components, such as the catch diode and inductor. The PC board copper area that the package is soldered to should be at least 0.8 in², and ideally should have 2 or more square inches of 2 oz. additional copper area which improves the thermal characteristics. With copper areas greater

than approximately 6in², only small improvements in heat dissipation are realized. If further thermal improvements are needed, double sided, multi-layer PC board with large copper areas and/or airflow will be recommended.

The AP1507 (TO-252 package) junction temperature rises above ambient temperature with a 3A load for various input and output voltages. This data was taken with the circuit operating as a buck-switching regulator with all components mounted on a PC board to simulate the junction temperature under actual operating conditions. This curve can be used for a quick check for the approximate junction temperature for various conditions, but there are many factors that can affect the junction temperature. When load currents higher than 3A are used, double sided or multi-layer PC boards with large copper areas and/or airflow might be needed, especially for high ambient temperatures and high output voltages.

For the best thermal performance, wide copper traces and generous amounts of printed circuit board copper should be used in the board layout. (One exception to this is the output (switch) pin, which should not have large areas of copper.) Large areas of copper provide the best transfer of heat (lower thermal resistance) to the surrounding air, and moving air lowers the thermal resistance even further.

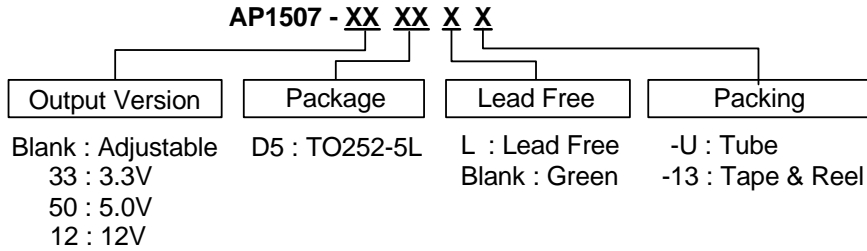
Package thermal resistance and junction temperature rise numbers are all approximate, and there are many factors that will affect these numbers. Some of these factors include board size, shape, thickness, position, location, and even board temperature. Other factors are trace width, total printed circuit copper area, copper thickness, single or double-sided, multi-layer board and the amount of solder on the board. The effectiveness of the PC board to dissipate heat also depends on the size, quantity and spacing of other components on the board, as well as whether the surrounding air is still or moving. Furthermore, some of these components such as the catch diode will add heat to the PC board and the heat can vary as the input voltage changes. For the inductor, depending on the physical size, type of core material and the DC resistance, it could either act as a heat sink taking heat away from the board, or it could add heat to the board.



AP1507

150KHz, 3A PWM BUCK DC/DC CONVERTER

Ordering Information

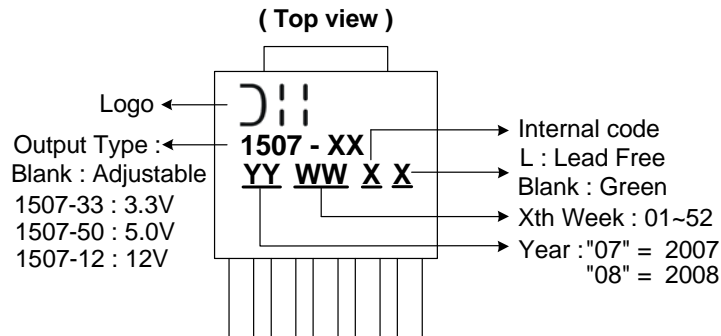


| Device | Package Code | Packaging (Note 5) | Tube/Bulk | | 13" Tape and Reel | |
|-----------------|--------------|--------------------|---------------|--------------------|-------------------|--------------------|
| | | | Quantity | Part Number Suffix | Quantity | Part Number Suffix |
| AP1507-XXD5L-XX | D5 | TO252-5L | 80 | -U | 2500/Tape & Reel | -13 |
| AP1507-XXD5-XX | D5 | TO252-5L | Not available | | 2500/Tape & Reel | -13 |

Note: 5. Pad layout as shown on Diodes Inc. suggested pad layout document AP02001, which can be found on our website at <http://www.diodes.com/datasheets/ap02001.pdf>

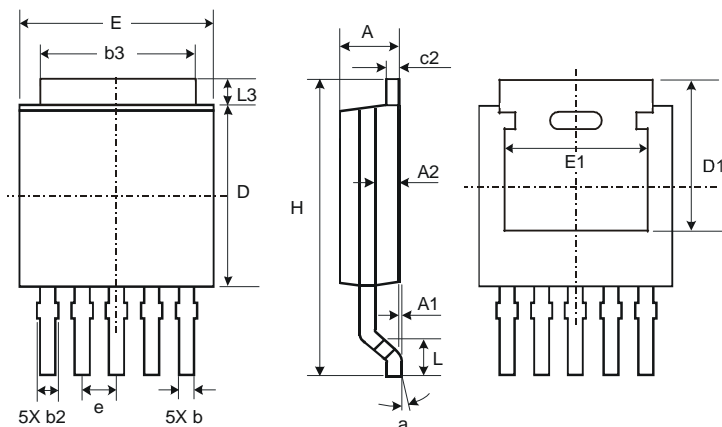
Marking Information

(1) TO252-5L



Package Outline Dimensions (All Dimensions in mm)

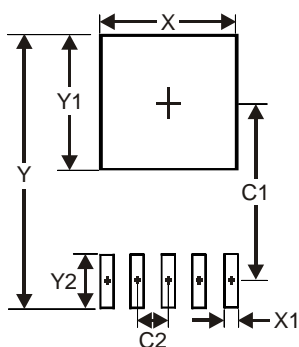
Package Type: TO252-5L



| TO252-5L | | | |
|----------------------|------|-------|-------|
| Dim | Min | Max | Typ |
| A | 2.19 | 2.39 | 2.29 |
| A1 | 0.00 | 0.13 | 0.08 |
| A2 | 0.97 | 1.17 | 1.07 |
| b | 0.51 | 0.71 | 0.583 |
| b2 | 0.61 | 0.79 | 0.70 |
| b3 | 5.21 | 5.46 | 5.33 |
| c2 | 0.45 | 0.58 | 0.531 |
| D | 6.00 | 6.20 | 6.10 |
| D1 | 5.21 | - | - |
| e | - | - | 1.27 |
| E | 6.45 | 6.70 | 6.58 |
| E1 | 4.32 | - | - |
| H | 9.40 | 10.41 | 9.91 |
| L | 1.40 | 1.78 | 1.59 |
| L3 | 0.88 | 1.27 | 1.08 |
| a | 0° | 10° | - |
| All Dimensions in mm | | | |

Suggested Pad Layout

Package Type: TO252-5L



| Dimensions | Value (in mm) |
|------------|---------------|
| X | 5.6 |
| X1 | 0.6 |
| Y | 11.0 |
| Y1 | 5.6 |
| Y2 | 2.0 |
| C1 | 7.2 |
| C2 | 1.27 |



AP1507

150KHz, 3A PWM BUCK DC/DC CONVERTER

IMPORTANT NOTICE

DIODES INCORPORATED MAKES NO WARRANTY OF ANY KIND, EXPRESS OR IMPLIED, WITH REGARDS TO THIS DOCUMENT, INCLUDING, BUT NOT LIMITED TO, THE IMPLIED WARRANTIES OF MERCHANTABILITY AND FITNESS FOR A PARTICULAR PURPOSE (AND THEIR EQUIVALENTS UNDER THE LAWS OF ANY JURISDICTION).

Diodes Incorporated and its subsidiaries reserve the right to make modifications, enhancements, improvements, corrections or other changes without further notice to this document and any product described herein. Diodes Incorporated does not assume any liability arising out of the application or use of this document or any product described herein; neither does Diodes Incorporated convey any license under its patent or trademark rights, nor the rights of others. Any Customer or user of this document or products described herein in such applications shall assume all risks of such use and will agree to hold Diodes Incorporated and all the companies whose products are represented on Diodes Incorporated website, harmless against all damages.

Diodes Incorporated does not warrant or accept any liability whatsoever in respect of any products purchased through unauthorized sales channel.

Should Customers purchase or use Diodes Incorporated products for any unintended or unauthorized application, Customers shall indemnify and hold Diodes Incorporated and its representatives harmless against all claims, damages, expenses, and attorney fees arising out of, directly or indirectly, any claim of personal injury or death associated with such unintended or unauthorized application.

Products described herein may be covered by one or more United States, international or foreign patents pending. Product names and markings noted herein may also be covered by one or more United States, international or foreign trademarks.

LIFE SUPPORT

Diodes Incorporated products are specifically not authorized for use as critical components in life support devices or systems without the express written approval of the Chief Executive Officer of Diodes Incorporated. As used herein:

A. Life support devices or systems are devices or systems which:

1. are intended to implant into the body, or
2. support or sustain life and whose failure to perform when properly used in accordance with instructions for use provided in the labeling can be reasonably expected to result in significant injury to the user.

B. A critical component is any component in a life support device or system whose failure to perform can be reasonably expected to cause the failure of the life support device or to affect its safety or effectiveness.

Customers represent that they have all necessary expertise in the safety and regulatory ramifications of their life support devices or systems, and acknowledge and agree that they are solely responsible for all legal, regulatory and safety-related requirements concerning their products and any use of Diodes Incorporated products in such safety-critical, life support devices or systems, notwithstanding any devices- or systems-related information or support that may be provided by Diodes Incorporated. Further, Customers must fully indemnify Diodes Incorporated and its representatives against any damages arising out of the use of Diodes Incorporated products in such safety-critical, life support devices or systems.

Copyright © 2012, Diodes Incorporated

www.diodes.com