

Excellent Integrated System Limited

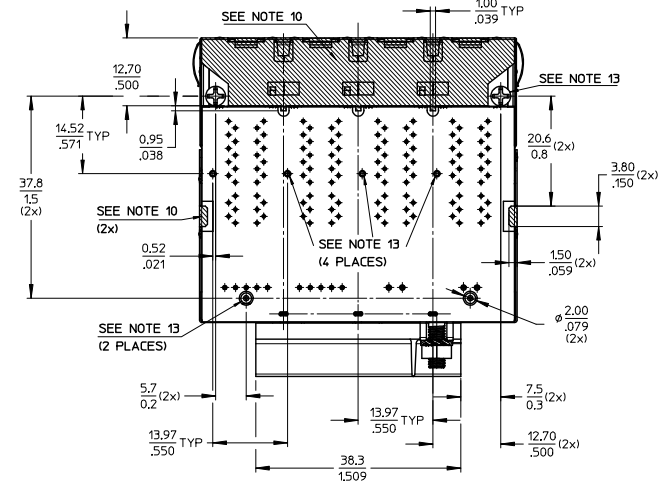
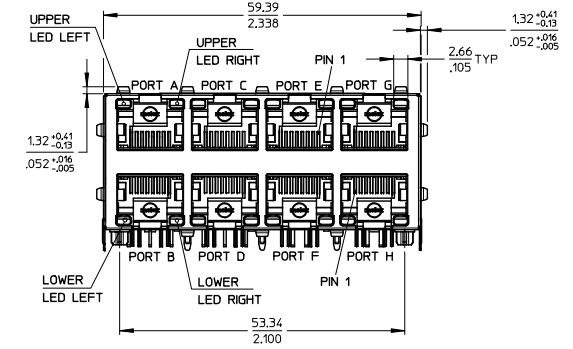
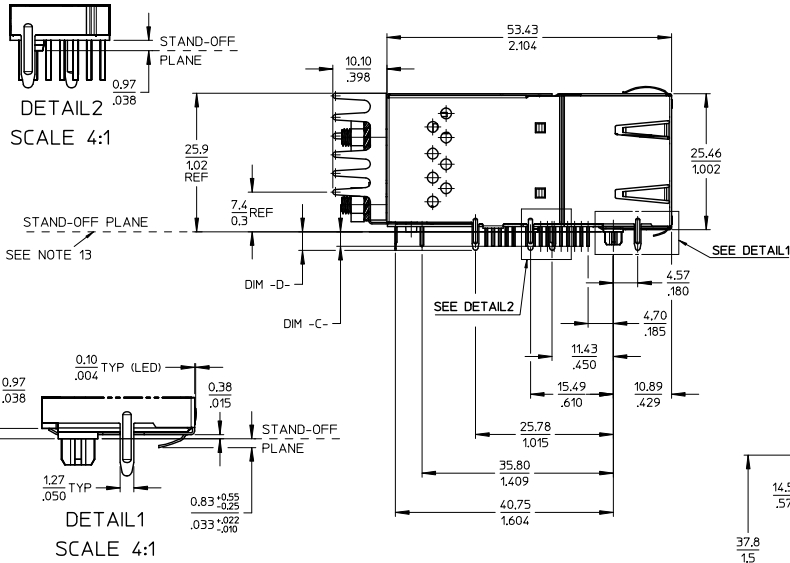
Stocking Distributor

Click to view price, real time Inventory, Delivery & Lifecycle Information:

[Molex Connector Corporation](#)
[85586-1003](#)

For any questions, you can email us directly:
sales@integrated-circuit.com

13 12 11 10 9 8 7 6 5 4 3 2 1



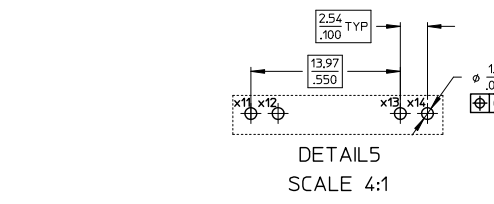
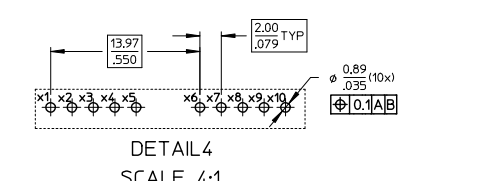
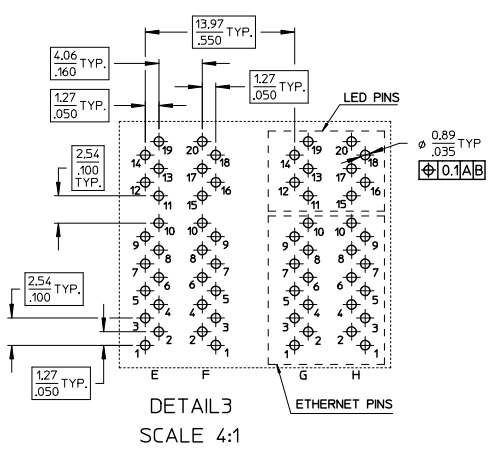
MATERIAL NUMBER	NUMBERS OF PORTS	DIM -C-	DIM -D-	SEE NOTE
85586-1003	4/4	4.0/0.157	3.8/0.150	12

PATENTS PENDING

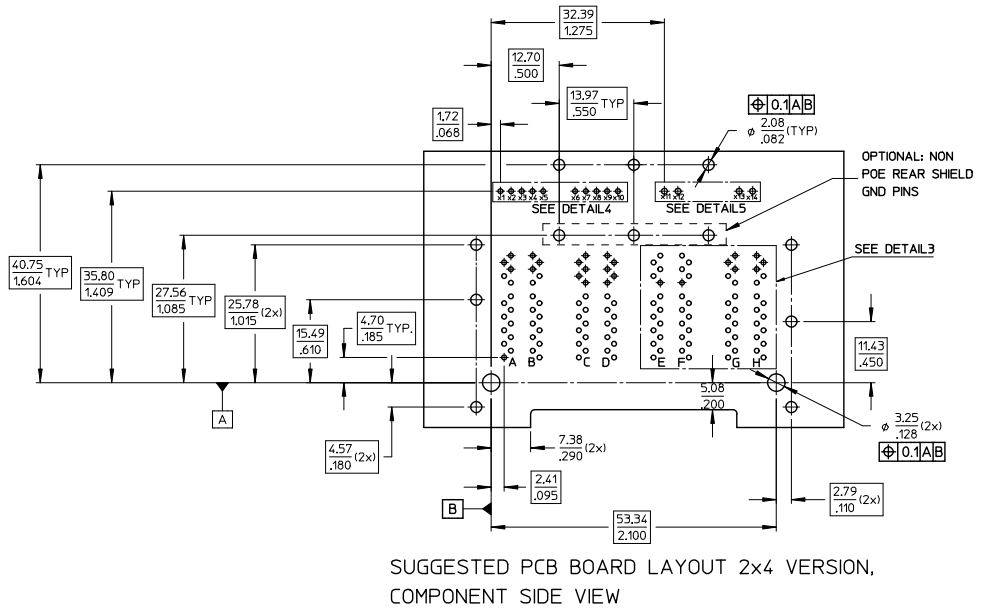
- NOTES:**
- 1- SHIELD MATERIAL: BRASS, PLATING NICKEL
 - 2- HOUSING MATERIAL: THERMOPLASTIC UL 94-V0, COLOR BLACK
 - 3- TERMINAL: PHOSPHOR BRONZE
PLATING:
POSTPLATE OR SPOTPLATE 0.00127 / .00005 MIN GOLD OVER 0.00127 / .00005 MIN NICKEL IN CONTACT AREA
0.00190 / .000075 MIN 100% TIN IN TAIL AREA, BOTH OVER 0.00127 / .000050 MIN NICKEL OVER ALL.
 - 4- JACK TO BE MATCHED WITH FCC, 685 PLUGS (MOLEX-PLUGS, 85568,95043,90075-SERIES)
 - 5- PRODUCT SPECIFICATION: PK-85586-001
 - 6- PACKAGING SPECIFICATION: PK-85586-001
 - 7- RECOMMENDED PCB LAYOUT AND PANEL CUT OUT SEE SHEET 2
 - 8- NO TRACES WITHOUT INSULATION ALLOWED ON BOARD PCB IN THIS DASHED AREAS UNDER THE METAL SHIELD
 - 9- PIN LENGTH FOR RECOMMENDED PCB MAX. THICKNESS OF .147 REFER TO STANDARD PC 610 REVISION C, CLASS 2
 - 10- STAND-OFF PLANE TO CUSTOMER PCB
 - 11- PLEASE REQUEST MOLEX FOR A FRENCH INSTALLATION MANUAL IF DISTRIBUTED IN CANADA

REV	DESCRIPTION	QUALITY SYMBOLS	GENERAL TOLERANCES (UNLESS SPECIFIED)		DIMENSION STYLE		SCALE	DESIGN UNITS	THIRD ANGLE PROJECTION								
			mm	INCH	MM/IN	DATE											
A	EC NO: MG2010-0061 DRAWN: BADER 2012/08/08 CHKD: MANARADIV 2012/08/27 APPR: SIE LIME 2012/12/04	▽=0 ▽=0	4 PLACES ±.006 3 PLACES ±.006 2 PLACES ±0.15 ±.01 1 PLACE ±0.25 ±.01	±.006 ±.006 ±.01 ±.01	DRAWN BY: RSCHIEBER 2005/12/08 CHECKED BY: SSTEINKE 2005/12/08 APPROVED BY: AVOGT 2005/12/08	DATE: 2005/12/08	2:1	METRIC	<table border="0"> <tr> <td colspan="2">TITLE: HYPERJACK 1000 POE-MODULE 2X4 W. POWER OVER PIN (POP), SWAPPED PORTS</td> </tr> <tr> <td colspan="2">MOLEX INCORPORATED</td> </tr> <tr> <td>MATERIAL NO. SEE CHART</td> <td>DOCUMENT NO. SD-85586-013</td> </tr> <tr> <td>SIZE A</td> <td>SHEET NO. 1 OF 3</td> </tr> </table>	TITLE: HYPERJACK 1000 POE-MODULE 2X4 W. POWER OVER PIN (POP), SWAPPED PORTS		MOLEX INCORPORATED		MATERIAL NO. SEE CHART	DOCUMENT NO. SD-85586-013	SIZE A	SHEET NO. 1 OF 3
TITLE: HYPERJACK 1000 POE-MODULE 2X4 W. POWER OVER PIN (POP), SWAPPED PORTS																	
MOLEX INCORPORATED																	
MATERIAL NO. SEE CHART	DOCUMENT NO. SD-85586-013																
SIZE A	SHEET NO. 1 OF 3																
DRAFT WHERE APPLICABLE MUST REMAIN WITHIN DIMENSIONS			THIS DRAWING CONTAINS INFORMATION THAT IS PROPRIETARY TO MOLEX INCORPORATED AND SHOULD NOT BE USED WITHOUT WRITTEN PERMISSION														

13 12 11 10 9 8 7 6 5 4 3 2 1

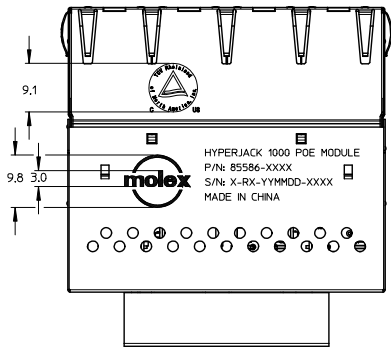


PATENTS PENDING



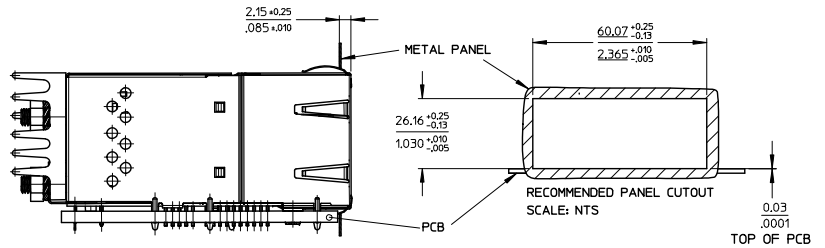
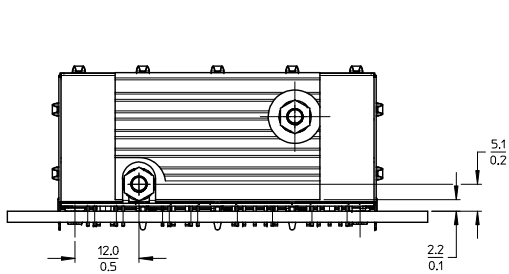
PRELIMINARY FOR
PROTO 1

EC NO: MG2010-0061 DRAWN: BAUER 2012/08/08 CHKD: MANGARUDY 2012/08/27 APPR: SSI TIME 2012/12/04 REV: A	QUALITY SYMBOLS ▽=0 ▽=0	GENERAL TOLERANCES (UNLESS SPECIFIED) mm INCH 4 PLACES ± --- ± --- 3 PLACES ± --- ± .006 2 PLACES ± 0.15 ± .01 1 PLACE ± 0.25 ± --- ANGULAR ± .5 °	DIMENSION STYLE MM/IN DRAWN BY DATE RSCHIEBER 2005/12/08 CHECKED BY DATE SSTEINKE 2005/12/08 APPROVED BY DATE AVOGT 2005/12/08	SCALE 2:1 DESIGN UNITS METRIC THIRD ANGLE PROJECTION	TITLE HYPERJACK 1000 POE-MODULE 2X4 W. POWER OVER PIN (POP), SWAPPED PORTS MOLEX INCORPORATED	MATERIAL NO. SEE SHEET 1 DOCUMENT NO. SD-85586-013 SHEET NO. 2 OF 3
	DRAFT WHERE APPLICABLE MUST REMAIN WITHIN DIMENSIONS		THIS DRAWING CONTAINS INFORMATION THAT IS PROPRIETARY TO MOLEX INCORPORATED AND SHOULD NOT BE USED WITHOUT WRITTEN PERMISSION			



NOTES:

- 1- MOLEX LOGO, TUV LOGO AND INSCRIPTION TO BE MARKED WITH LASER PRINTER
- 2- INSCRIPTION:
1st LINE: PART NAME
2nd LINE: PART NUMBER
3rd LINE: SERIES NUMBER -> MANUFACTURER ID - CONNECTOR REVISION - DATE CODE (YEAR, MONTH, DAY) - CONSECUTIVE NUMBER
4th LINE: COUNTRY OF ORIGIN



EC NO: MG2010-0061 DRAWN BY: CHIKKANGARADIV APPROVED BY: CHIKKANGARADIV DATE: 2017/08/08 APPROVAL TIME: 2017/12/04 REV: A	QUALITY SYMBOLS	GENERAL TOLERANCES (UNLESS SPECIFIED)	DIMENSION STYLE	SCALE	DESIGN UNITS	THIRD ANGLE PROJECTION
	▽=0 ▽=0	mm INCH 4 PLACES ± --- ± --- 3 PLACES ± --- ±.006 2 PLACES ± 0.15 ±.01 1 PLACE ± 0.25 ± --- ANGULAR ± .5 °	MM/IN	2:1	METRIC	TITLE: HYPERJACK 1000 POE-MODULE 2X4 W. POWER OVER PIN (POP), SWAPPED PORTS MOLEX INCORPORATED
	DRAFT WHERE APPLICABLE MUST REMAIN WITHIN DIMENSIONS	DRAWN BY: RSCHIEBER CHECKED BY: SSTEINKE APPROVED BY: AVOGT DATE: 2005/12/08	MATERIAL NO. SEE SHEET 1 SIZE: A2	DOCUMENT NO. SD-85586-013 SHEET NO. 3 OF 3	THIS DRAWING CONTAINS INFORMATION THAT IS PROPRIETARY TO MOLEX INCORPORATED AND SHOULD NOT BE USED WITHOUT WRITTEN PERMISSION	