

Excellent Integrated System Limited

Stocking Distributor

Click to view price, real time Inventory, Delivery & Lifecycle Information:

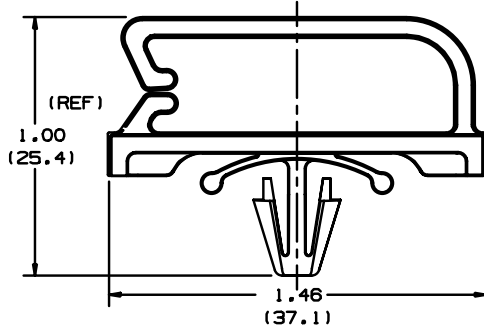
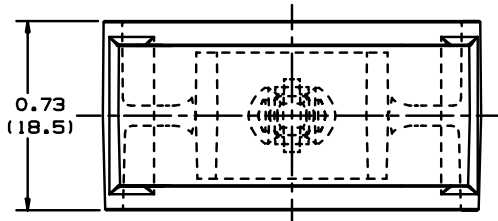
[Panduit](#)

[BECP38H25-L](#)

For any questions, you can email us directly:

sales@integrated-circuit.com

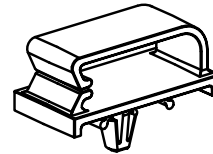
THIS COPY IS PROVIDED ON A RESTRICTED BASIS AND IS NOT TO BE USED IN ANY WAY DETRIMENTAL TO THE INTERESTS OF PANDUIT CORP.



| PANDUIT PART NO. * | PANEL DIMENSIONS | | WEIGHT LBS. / 100 PCS. © |
|--------------------|---------------------|---------------|--------------------------|
| | THICKNESS | HOLE SIZE | |
| BECP38H25 | 0.075 MAX. (1.9) | 0.25 (6.4) | 0.88 (400) |

NOTES:

- * 1. SEE CURRENT PRICE SHEET FOR PART NUMBER SUFFIX DESIGNATION FOR PACKAGE SIZE AND PART COLOR.



SCALE: FULL

(DIMENSIONS IN PARENTHESES ARE IN METRIC.)

CHD FILLING/LAYERS G002391B_PB_BECP38H25_01

PANDUIT

CORP. TINLEY PARK, ILLINOIS

**BECP38H25
BEVEL ENTRY CLIP**

UNLESS OTHERWISE SPECIFIED,
DIMENSIONAL TOLERANCES ARE:
(.X) ± N/A (.XXX) ± N/A
(.XX) ± .020 (.8) ANGLES ± 5°

UNLESS OTHERWISE SPECIFIED,
ALL DIMENSIONS ARE GIVEN
IN INCHES, THIRD ANGLE PROJECTION.

| REV | DATE | BY | CHK | DESCRIPTION | ECN | R | CUST | SUP |
|-----|---------|-----|-----|--|----------|---|------|-----|
| 1 | 4/21/04 | JAD | | PANEL THICKNESS WAS .09(2.3) MAX | G802391B | 1 | | |
| R | 2/28/02 | LGG | | INITIAL RELEASE TRANSFER FROM DRAWING NUMBER 6-01801 | G802391B | R | | |

DRAWN BY LGG

MAT'L:

DATE 02-26-02

6/6 NYLON

CHK'D

SCALE 2X

DRAWING NO.

G802391B

CHD

SIZE A