

## Excellent Integrated System Limited

Stocking Distributor

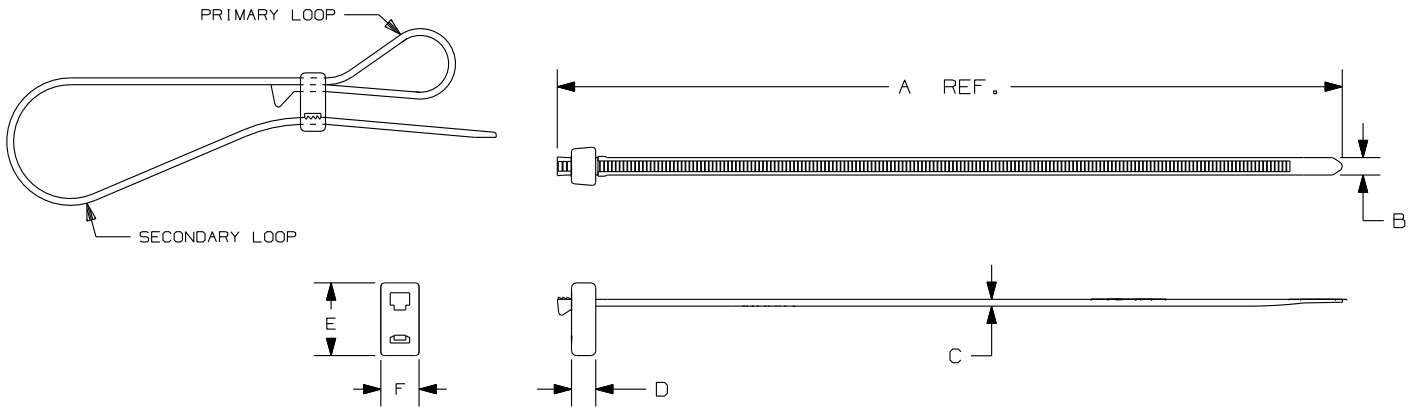
Click to view price, real time Inventory, Delivery & Lifecycle Information:

[Panduit](#)  
[SSB2S-C](#)

For any questions, you can email us directly:

[sales@integrated-circuit.com](mailto:sales@integrated-circuit.com)

THIS COPY IS PROVIDED ON A RESTRICTED BASIS AND IS NOT TO BE USED IN ANY WAY DETRIMENTAL TO THE INTERESTS OF PANDUIT CORP.



PANDUIT PART NO.*	MAX. DIA BUNDLE - TOTAL	MIN. DIA BUNDLE	A in (mm)	B ±.01in (±.25mm)	C ±.01in (±.25mm)	D in (mm)	E in (mm)	F in (mm)	MIN. LOOP TENSILE LBS. STRENGTH PRIMARY (N)	MIN. LOOP TENSILE LBS. STRENGTH SECONDARY (N)	CROSS SECTION	WEIGHT lbs./100pcs. g.
SSB2S	1.25 (31.8)	.062 (1.6)	6.75 (171.5)	.18 (4.6)	.045 (1.1)	.165 (4.2)	.385 (9.8)	.300 (7.6)	50 (222)	30 (133.2)	STANDARD	0.25 (113.5)

**NOTES:**

\* 1) SEE CURRENT PRICE SHEET FOR PART NUMBER SUFFIX DESIGNATION FOR PACKAGE SIZE AND COLOR.

DIMENSIONS IN PARENTHESES ARE IN METRIC UNITS.

**PANDUIT** CORP., TINLEY PARK, ILLINOIS

**BOW-TY™ CABLE TIE, SSB2S**

UNLESS OTHERWISE SPECIFIED, DIMENSIONAL TOLERANCES ARE:  
(.X) ± (.XXX) ±  
(.XX) ± ANGLES ±

UNLESS OTHERWISE SPECIFIED, ALL DIMENSIONS ARE GIVEN IN INCHES, THIRD ANGLE PROJECTION.

DRAWN BY O'BRIEN

MAT'L:

DATE 4/3/69

NYLON 6.6

CHK'D SP

SCALE NONE

DRAWING NO. SS-1385

DWG A

SIZE

REV	DATE	BY	CHK	DESCRIPTION	ECN - R	CUST	SUP
7	11/21/06	ERW		REVISED ARTWORK. SEE ECN FOR DETAILS.	1385	7	