

Excellent Integrated System Limited

Stocking Distributor

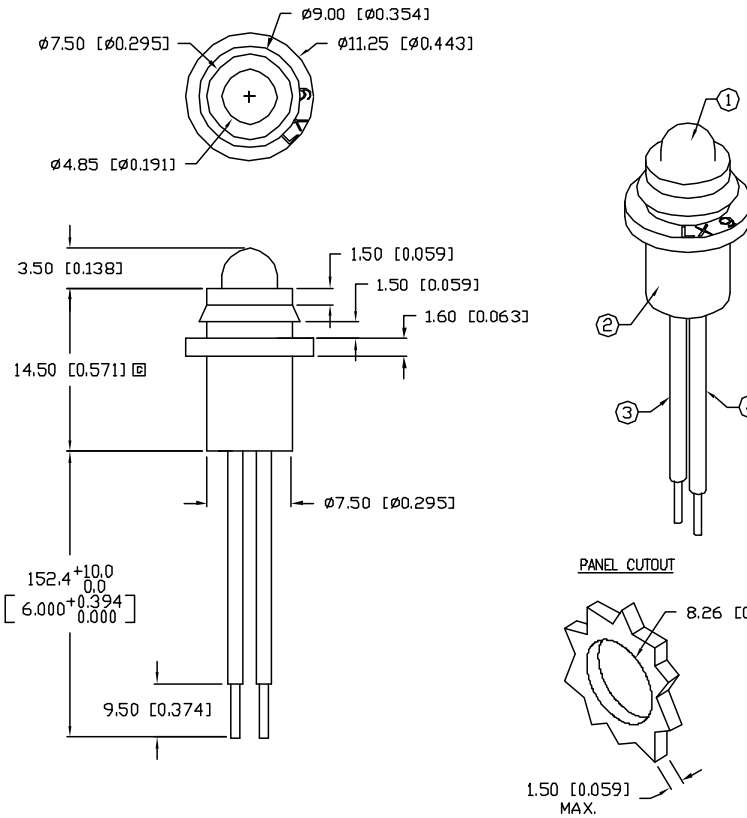
Click to view price, real time Inventory, Delivery & Lifecycle Information:

[Lumex, Inc.](#)
[SSI-LXH9GD-150](#)

For any questions, you can email us directly:
sales@integrated-circuit.com

UNCONTROLLED DOCUMENT

| | | |
|----------------|-------------------------------------|---------|
| PART NUMBER | | REV. |
| SSI-LXH9GD-150 | | D |
| REV. | E.C.N. NUMBER AND REVISION COMMENTS | DATE |
| A | CHANGED NOTES. | 4.29.94 |
| B | UPDATED SPECS AND NOTES. | 5.31.95 |
| C | E.C.N. #10427. | 5.15.98 |
| D | E.C.N. #10BRDR. & REDRAWN IN 3D. | 1.8.02 |



ELECTRO-OPTICAL CHARACTERISTICS $T_A=25^{\circ}\text{C}$ $I_f=20\text{mA}$

| PARAMETER | MIN | TYP | MAX | UNITS | TEST COND |
|--------------------|----------------|-----|-----|------------|----------------------|
| PEAK WAVELENGTH | | 565 | | nm | |
| FORWARD VOLTAGE | | 2.2 | 2.6 | V_f | |
| REVERSE VOLTAGE | 5.0 | | | V_r | $I_r=100\mu\text{A}$ |
| AXIAL INTENSITY | | 30 | | mcd | $I_f=20\text{mA}$ |
| VIEWING ANGLE | | 60 | | $2x$ theta | |
| EMITTED COLOR: | GREEN | | | | |
| EPOXY LENS FINISH: | GREEN DIFFUSED | | | | |

LIMITS OF SAFE OPERATION AT 25°C

| PARAMETER | MAX | UNITS |
|----------------------------------|------------|------------------------|
| PEAK FORWARD CURRENT* | 150 | mA |
| STEADY CURRENT | 25 | mA |
| POWER DISSIPATION | 105 | mW |
| DERATE FROM 25°C | -1.2 | mW/ $^{\circ}\text{C}$ |
| OPERATING, STORAGE TEMP. | -40 TO +85 | $^{\circ}\text{C}$ |

* $t < 10\mu\text{s}$

- NOTES:
1. SSI-LX509F3GD, GREEN LED.
 2. SSH-LXH9, BLACK RUBBER HOUSING.
 3. ANODE LEAD: LXP-WST24RDTCC, 24 AWG STRANDED, RED INSULATION, CUT 155mm LONG, STRIP 2mm & 9.5mm.
 4. CATHODE LEAD: LXP-WST24BLTCC, 24 AWG STRANDED, BLACK INSULATION, CUT 155mm LONG, STRIP 2mm & 9.5mm.
 5. CRIMP WIRE LEADS TO LED LEADS.

UNCONTROLLED DOCUMENT

*UNLESS OTHERWISE SPECIFIED TOLERANCES PER DECIMAL PRECISION ARE: X=±1 (±0.039), XX=±0.5 (±0.020), XXX=±0.25 (±0.010), XXXX=±0.127 (±0.005), LEAD SIZE=±0.05 (±0.002), LEAD LENGTH=±0.75 (±0.030), MIN.=^{+0.00}DECIMAL PRECISION_{-0.00} MAX.=^{+0.00}DECIMAL PRECISION_{-0.00}

| | | | |
|---|-------------------------------|--|---|
| REV. D | PART NUMBER SSI-LXH9GD-150 | <p>CONFIDENTIAL INFORMATION</p> <p>THE INFORMATION CONTAINED IN THIS DOCUMENT IS THE PROPERTY OF LUMEX INC. EXCEPT AS SPECIALLY AUTHORIZED IN WRITING BY LUMEX INC., THE HOLDER OF THIS DOCUMENT SHALL KEEP ALL INFORMATION CONTAINED HEREIN CONFIDENTIAL AND SHALL PROTECT SAME IN WHOLE OR IN PART FROM DISCLOSURE AND DISSEMINATION TO ALL THIRD PARTIES.</p> <p>RELIABILITY NOTE</p> <p>OUR MANY YEARS OF EXPERIENCE DATA ACCUMULATION INDICATE THAT SOLDER HEAT IS A MAJOR CAUSE OF EARLY AND FUTURE FAILURE. PLEASE PAY ATTENTION TO YOUR SOLDERING PROCESS.</p> | <p>LUMEX We make it simple to work with us.</p> <p>290 E. HELEN ROAD PALATINE, IL 60067-6976 PHONE: +1.847.359.2790 US WEB: www.lumex.com TW WEB: www.lumex.com.tw</p> |
| T-5mm 565nm GREEN LED PANEL INDICATOR, GREEN DIFFUSED LENS, 6" WIRE LEADS. | | <p>DRAWN BY: BC</p> <p>CHECKED BY:</p> <p>APPROVED BY:</p> | <p>DATE: 5.28.92 PAGE: 1 OF 1 SCALE: N/A</p> |