

Excellent Integrated System Limited

Stocking Distributor

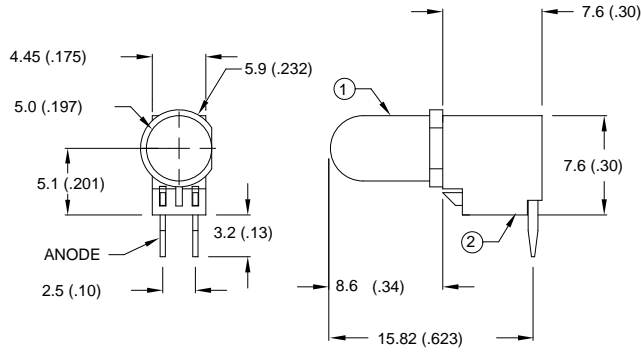
Click to view price, real time Inventory, Delivery & Lifecycle Information:

[Lumex, Inc.](#)
[SSF-LXH4RA5YD](#)

For any questions, you can email us directly:

sales@integrated-circuit.com

DATE	REVISIONS	REV	DRAWING NUMBER SSF-LXH4RA5XX	REV
------	-----------	-----	---------------------------------	-----



NOTES:

1. SSL-LX5093XX LED.
2. IFS-LX4FRA-1 LAMP SOCKET.
3. CUT LED LEADS 5mm LONG.
4. ASSEMBLE IN SOCKET, POLARITY AS SHOWN.

UNLESS OTHERWISE SPECIFIED TOLERANCE IS $\pm 0.25\text{mm}$ ($\pm 0.010''$)

LUMEX OPTO COMPONENTS INC.		290 E. HELLEN ROAD PALATINE, ILLINOIS 60067 (847) 359-2790	
<small>CONFIDENTIAL INFORMATION THE INFORMATION CONTAINED IN THIS DOCUMENT IS THE PROPERTY OF LUMEX OPTO COMPONENTS, INC. EXCEPT AS SPECIFICALLY AUTHORIZED IN WRITING BY LUMEX OPTO COMPONENTS, INC., THE HOLDER OF THIS DOCUMENT SHALL KEEP ALL INFORMATION CONTAINED HEREIN CONFIDENTIAL AND SHALL PROTECT SAME IN WHOLE OR IN PART FROM DISCLOSURE AND DISSEMINATION TO ALL THIRD PARTIES.</small>			
DATE:	7-3-97	DWN:	CHK'D:
SCALE:	N/A	APPD:	
T-1 3/4 LAMP, YELLOW DIFFUSED, FAULT INDICATOR			
PAGE	1	OF	1
		DRAWING NUMBER	REV
		SSF-LXH4RA5XX	

MS/SS