

Excellent Integrated System Limited

Stocking Distributor

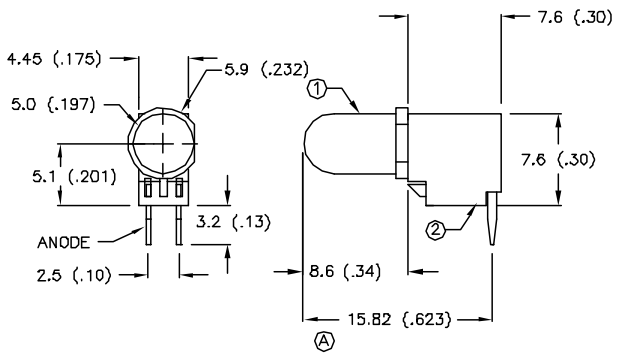
Click to view price, real time Inventory, Delivery & Lifecycle Information:

[Lumex, Inc.](#)
[SSF-LXH4RA5SRD](#)

For any questions, you can email us directly:

sales@integrated-circuit.com

DATE	REVISIONS	REV	DRAWING NUMBER	REV
7-5-95	UPDATED SPECS. & DIM WHERE NOTED./	A	SSF-LXH4RA5SRD	A



NOTES:

1. SSL-LX5093SRD LED.
2. IFS-LX4FRA-1 LAMP SOCKET.
3. CUT LED LEADS 5mm LONG.
4. ASSEMBLE IN SOCKET, POLARITY AS SHOWN.

ELECTRO-OPTICAL CHARACTERISTICS TA=25 °C I_f=20mA

PARAMETER	MIN	TYP	MAX	UNITS	TEST COND
PEAK WAVELENGTH		660 (RED)		nm	
FORWARD VOLTAGE		1.7	2.2	V _f	
REVERSE VOLTAGE	4.0			V _r	I _f =100uA
AXIAL INTENSITY		80		mcd	I _f =20mA
		8		mcd	I _f =2mA
VIEWING ANGLE		60		2x theta	
EMITTED COLOR:		RED			
EPOXY LENS FINISH:		RED DIFFUSED			

LIMITS OF SAFE OPERATION AT 25 DEG. C

PARAMETER	MAX	UNITS
PEAK FORWARD CURRENT*	150	mA
STEADY CURRENT	30	mA
POWER DISSIPATION	100	mW
DERATE FROM 25 °C	-1.3	mW/ °C
OPERATING, STORAGE TEMP.	-40 TO +85	°C
LEAD SOLDERING TEMP.	+260	°C
2.0mm FROM BODY		3 SEC. MAX

* t<10uS

LUMEX OPTO COMPONENTS INC.		292 E. HELLEN ROAD PALATINE, ILLINOIS 60067 (708) 359-2790	
DATE: B-23-93	APPROVED BY:	DRAWN BY:	
SCALE: DO NOT SCALE			
T-1 3/4 LAMP, SUPER RED FAULT INDICATOR			
PAGE 1 OF 1	DRAWING NUMBER	SSF-LXH4RA5SRD	REV A