

Excellent Integrated System Limited

Stocking Distributor

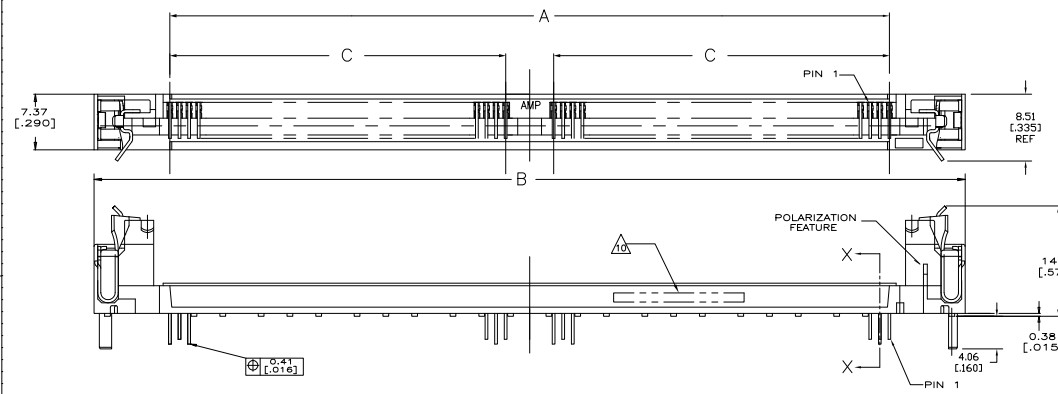
Click to view price, real time Inventory, Delivery & Lifecycle Information:

[TE Connectivity AMP Connectors](#)
[822031-4](#)

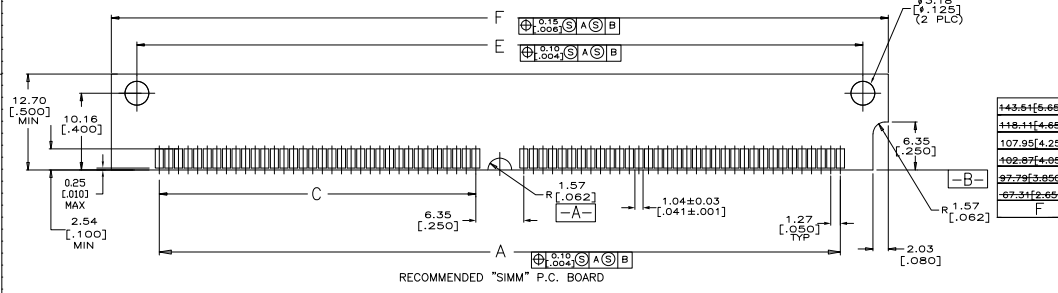
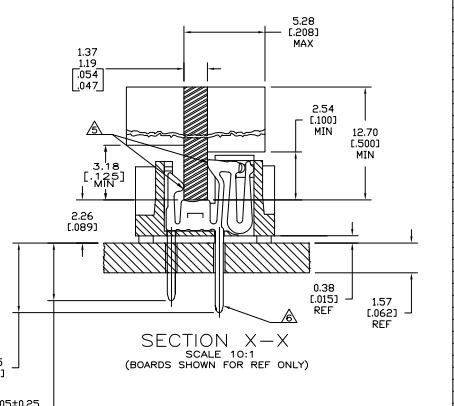
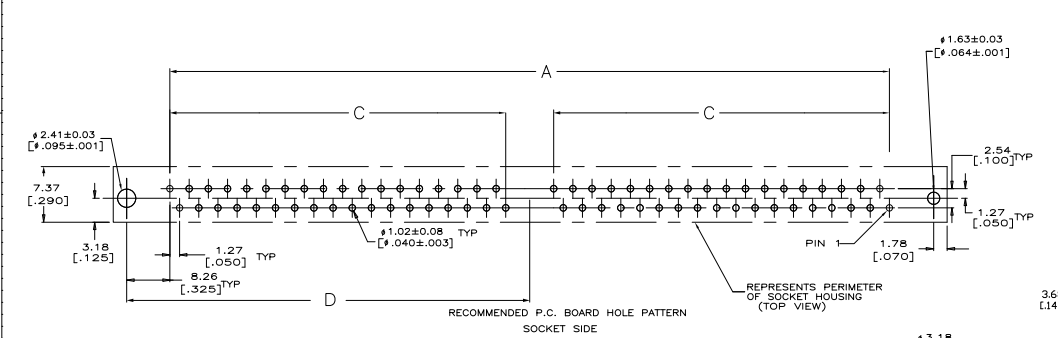
For any questions, you can email us directly:
sales@integrated-circuit.com

THIS DRAWING IS UNCLASSIFIED EXCEPT FOR PARAGRAPHS 8.2 AND 8.3. UNCLASSIFIED EXCEPT FOR PARAGRAPHS 8.2 AND 8.3. UNCLASSIFIED EXCEPT FOR PARAGRAPHS 8.2 AND 8.3.

REV	DATE	DESCRIPTION	BY	CHK
00				
01				



- △ HOUSING-MATERIAL : LIQUID-CRYSTAL-POLYMER, COLOR:NATURAL.
 - △ CONTACT-MATERIAL : PHOS. BRONZE.
 - △ LATCH-MATERIAL : BRASS, NICKEL PLATE.
 - △ CONTACT-PLATE 0.00127 [.000050] MIN NICKEL ALL OVER.
 - △ CONTACT-PLATE 0.00076[.000030] MIN. GOLD AT CONTACT PTS.
 - △ CONTACT SOLDERTAILS-PLATE 0.00508[.000200] MIN TIN/LEAD.
7. IN ADDITION TO THOSE RECOMMENDED "SIMM" P.C. BOARD DIMENSIONS AND TOLERANCES SHOWN, ALL JEDEC SPECIFICATIONS APPLY AS SHOWN ON MO-116, ISSUE A.
8. RECOMMENDED MATING S.I.M.M. TAB METALLURGY:
 BASE METAL-COPPER. PLATING TO BE 0.00076[.000030] MIN GOLD OVER 0.00127[.000050] MIN NICKEL.
- △ OBSOLETE
- △ DATE CODE: (YEAR WEEK) XXXX FORMAT, LOCATED APPROXIMATELY AS SHOWN ON OPPOSITE SIDE.



NO. OF PINS	LENGTH	WIDTH	HEIGHT	DEPTH	NO. OF PINS	LENGTH	WIDTH	HEIGHT	DEPTH
100	143.51[5.660]	136.76[5.384]	73.66[2.900]	62.23[2.450]	151	151.13[5.950]	143.81[5.698]	73.66[2.900]	62.23[2.450]
80	118.11[4.660]	111.36[4.384]	60.96[2.400]	49.53[1.950]	125	125.73[4.950]	118.11[4.660]	60.96[2.400]	49.53[1.950]
72	107.95[4.250]	101.19[3.984]	55.88[2.200]	44.45[1.750]	95	95.25[3.750]	88.49[3.480]	55.88[2.200]	44.45[1.750]
68	102.97[4.050]	96.11[3.784]	53.34[2.100]	41.91[1.650]	90	90.17[3.550]	83.21[3.290]	53.34[2.100]	41.91[1.650]
64	97.79[3.850]	91.03[3.584]	50.80[2.000]	39.37[1.550]	85	85.09[3.350]	78.03[3.090]	50.80[2.000]	39.37[1.550]
40	67.31[2.650]	60.55[2.384]	38.56[1.500]	24.13[0.950]	74	74.93[2.950]	68.17[2.690]	38.56[1.500]	24.13[0.950]

THIS DRAWING IS A CONTROLLED DOCUMENT

DATE: 10/27/99

REV: 1

NO. OF PINS: 72

PART NO: 822031-4

CONNECTOR, MICRO-EDGE, .050, VERTICAL, GOLD PLATE, METAL LATCH.

CUSTOMER DRAWING