

Excellent Integrated System Limited

Stocking Distributor

Click to view price, real time Inventory, Delivery & Lifecycle Information:

[PUI Audio, Inc.](#)
[AT-4228-TWT-F-R](#)

For any questions, you can email us directly:
sales@integrated-circuit.com

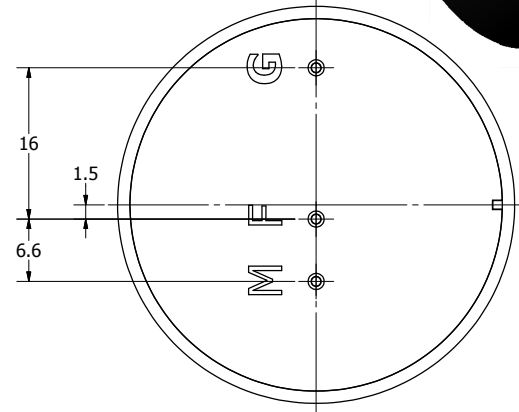
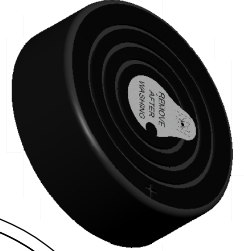
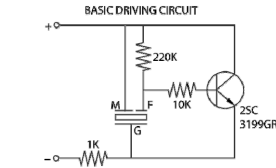
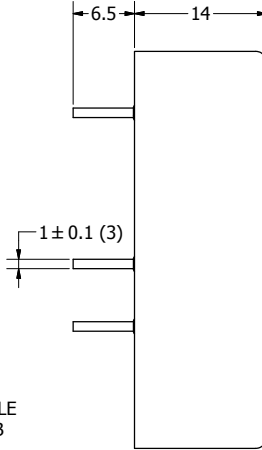
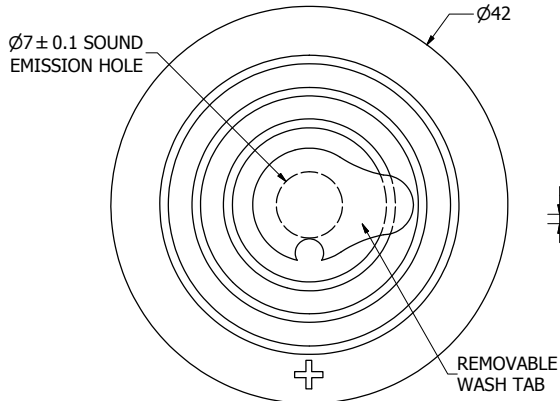
SPECIFICATIONS

| PARAMETERS | VALUES | UNITS |
|-------------------------|------------------------------|-------|
| RATED VOLTAGE | 12 | Vp-p |
| OPERATING VOLTAGE RANGE | 3 ~ 28 | Vp-p |
| RATED CURRENT (MAX) | 7 | mA |
| CAPACITANCE | 25,000 ± 30% | pF |
| MINIMUM SPL @ 10 CM | 92 | dBA |
| RESONANT FREQUENCY | 2,800 ± 500 | Hz |
| OPERATING TEMPERATURE | -30 ~ +85 | °C |
| STORAGE TEMPERATURE | -40 ~ +95 | °C |
| HOUSING MATERIAL | ABS | - |
| TERMINAL MATERIAL | Au PLATED PHOSPHOR BRONZE | - |
| WEIGHT | 11.7 | grams |

THIS DOCUMENT CONTAINS DATA PROPRIETARY TO PROJECTS UNLIMITED, INC. ANY USE OR REPRODUCTION, IN ANY FORM, WITHOUT PRIOR WRITTEN PERMISSION OF PROJECTS UNLIMITED, INC. IS PROHIBITED.
 ©2003, Projects Unlimited Inc.

REVISION HISTORY

| LTR | DESCRIPTION | DATE | APPROVED |
|-----|--|-----------|----------|
| - | RELEASED FROM ENGINEERING | 9/12/2005 | |
| A | REVISED TO INVENTOR 3-D DRAWING TEMPLATE | 9/5/2008 | B.R. |
| B | ADDED DRIVE CIRCUIT | 2/9/2012 | C.W. |



NOTES:

- ALL DIMENSIONS ARE IN MILLIMETERS.
- SPECIFICATIONS SUBJECT TO CHANGE OR WITHDRAWL WITHOUT NOTICE.
- THIS PART IS RoHS 2002/95/EC COMPLIANT.

| | | | | | | | | |
|--|------|-------------|-----------|--|-----------|-------------|-----------|------------|
| UNLESS OTHERWISE SPECIFIED: DIMENSIONS ARE IN MILLIMETERS, TOLERANCES ARE ±0.5 AND ANGLES ARE ±3°. | SIZE | Designed by | Date | Checked by | Date | Approved by | Date | Drawn Date |
| | A3 | J.A.F. | 9/12/2005 | E.P. | 9/11/2005 | B.R. | 9/11/2005 | 9/5/2008 |
| AT-4228-TWT-F-R.idw | | | | AT-4228-TWT-F-R Transducer (Piezo) | | Edition | Sheet | |
| | | | | | | - | 1 / 1 | |