



Excellent Integrated System Limited

Stocking Distributor

Click to view price, real time Inventory, Delivery & Lifecycle Information:

[PUI Audio, Inc.](#)
[AS07004PO-WR-R](#)

For any questions, you can email us directly:

sales@integrated-circuit.com

SPECIFICATIONS

PARAMETERS	VALUES	UNITS
RATED INPUT POWER	2	W
MAX INPUT POWER	5	W
IMPEDANCE	4 ± 15%	OHM
OUTPUT SPL @ 1W/0.5M (AT 0.6, 0.8, 1.0, 1.2 kHz)	86 ± 3	dBa
DISTORTION (MAX.)	5%	-
RESONANT FREQUENCY	300 ± 70	Hz
FREQUENCY RANGE	100 ~ 20,000	Hz
HOUSING MATERIAL	METAL	-
CONE MATERIAL	TREATED PAPER	-
MAGNET MATERIAL	Nd-Fe-B	-
OPERATING TEMPERATURE	-20 ~ +60	°C
WEIGHT	35	grams

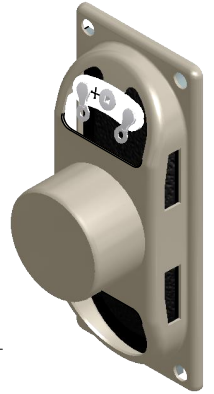
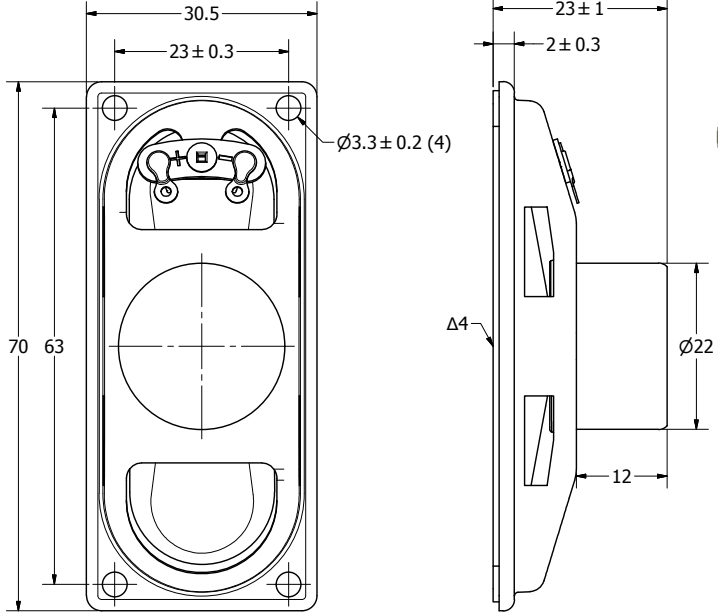
THIS DOCUMENT CONTAINS DATA PROPRIETARY TO PROJECTS UNLIMITED, INC. ANY USE OR REPRODUCTION, IN ANY FORM, WITHOUT PRIOR WRITTEN PERMISSION OF PROJECTS UNLIMITED, INC. IS PROHIBITED.
©2003, Projects Unlimited Inc.

REVISION HISTORY

LTR	DESCRIPTION	DATE	APPROVED
-	RELEASED FROM ENGINEERING	4/12/2008	
A	REVISED TO INVENTOR 3-D DRAWING TEMPLATE	6/24/2008	B.R.
B	ADDED NOTE 5	8/12/2011	B.R.
C	REVISED FLANGE HEIGHT DIMENSION	8/16/2011	C.W.
D	REVISED SPL TEST PARAMETERS	3/12/15	M.L.

NOTES:

- ALL DIMENSIONS ARE IN MILLIMETERS.
- SPECIFICATIONS SUBJECT TO CHANGE OR WITHDRAWL WITHOUT NOTICE.
- THIS PART IS RoHS 2011/65/EU COMPLIANT.
- Δ4. CONE HAS BEEN TREATED FOR WATER RESISTANCE.
- BASE SPEAKER PUI# AS07004PO-R.



UNLESS OTHERWISE SPECIFIED: DIMENSIONS ARE IN MILLIMETERS, TOLERANCES ARE ±0.5 AND ANGLES ARE 45°.	SIZE A3	Designed by	Date	Checked by	Date	Approved by	Date	Drawn Date	
		B.R.	4/11/2008	B.R.	4/11/2008	E.P.	4/11/2008	6/24/2008	
AS07004PO-WR-R.idw				AS07004PO-WR-R				Speaker	
						Edition		Sheet	
						-		1 / 1	