

## Excellent Integrated System Limited

Stocking Distributor

Click to view price, real time Inventory, Delivery & Lifecycle Information:

[PUI Audio, Inc.](#)  
[AS07108PO-WR-R](#)

For any questions, you can email us directly:  
[sales@integrated-circuit.com](mailto:sales@integrated-circuit.com)

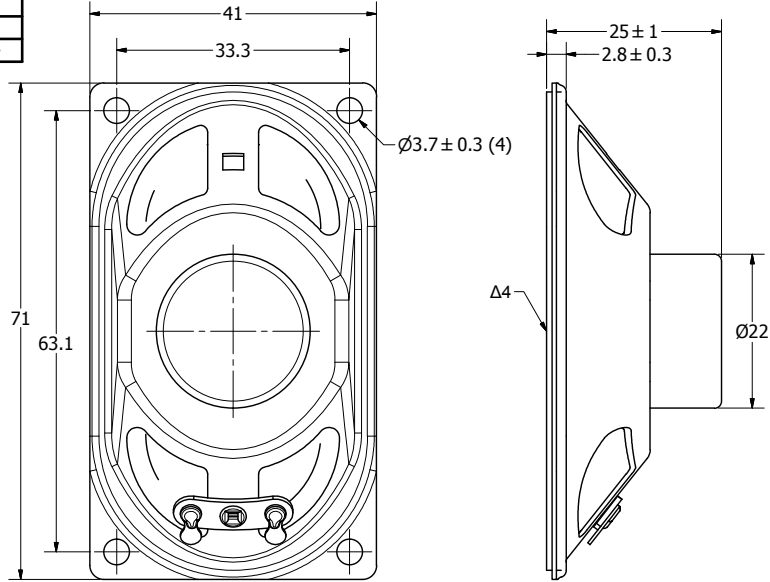
**SPECIFICATIONS**

| PARAMETERS  | VALUES        | UNITS |
|---|---------------|-------|
| RATED INPUT POWER                                   | 3             | W     |
| MAX INPUT POWER                                     | 5             | W     |
| IMPEDANCE   | 8 ± 15%       | OHM   |
| OUTPUT SPL @ 1W/0.5M<br>(AT 0.8, 1.0, 1.2, 1.5 kHz) | 86 ± 3        | dB    |
| DISTORTION (MAX.)                                   | 5%            | -     |
| RESONANT FREQUENCY                                  | 250 ± 70%     | Hz    |
| FREQUENCY RANGE                                     | 100 ~ 20,000  | Hz    |
| HOUSING MATERIAL                                    | METAL         | -     |
| CONE MATERIAL                                       | TREATED PAPER | -     |
| MAGNET MATERIAL                                     | Nd-Fe-B       | -     |
| OPERATING TEMPERATURE                               | -20 ~ +60     | °C    |
| WEIGHT  | 38            | grams |

THIS DOCUMENT CONTAINS DATA PROPRIETARY TO PROJECTS UNLIMITED, INC. ANY USE OR REPRODUCTION, IN ANY FORM, WITHOUT PRIOR WRITTEN PERMISSION OF PROJECTS UNLIMITED, INC. IS PROHIBITED.  
©2003, Projects Unlimited Inc.

**REVISION HISTORY**

| LTR | DESCRIPTION                              | DATE      | APPROVED |
|-----|--|-----------|----------|
| -   | RELEASED FROM ENGINEERING                | 8/3/2005  |          |
| A   | REVISED TO INVENTOR 3-D DRAWING TEMPLATE | 10/5/2007 | B.R.     |
| B   | ADDED NOTE 5                             | 8/12/2011 | B.R.     |



**NOTES:**

1. ALL DIMENSIONS ARE IN MILLIMETERS.
2. SPECIFICATIONS SUBJECT TO CHANGE OR WITHDRAWAL WITHOUT NOTICE.
3. THIS PART IS RoHS 2011/65/EU COMPLIANT.
- Δ4. CONE HAS BEEN TREATED FOR WATER RESISTANCE.
5. BASE SPEAKER PUI# AS07108PO-R.

|  |                    |             |          |                       |      |                |          |                            |
|--|--------------------|-------------|----------|-----------------------|------|----------------|----------|----------------------------|
| UNLESS OTHERWISE SPECIFIED:<br>DIMENSIONS ARE IN MILLIMETERS,<br>TOLERANCES ARE ±0.5 AND ANGLES ARE ±3°. | SIZE               | Designed by | Date     | Checked by            | Date | Approved by    | Date     | Drawn Date                 |
|  | A3                 | J.A.F.      | 8/4/2005 |                       |      | E.P.           | 8/4/2005 | 10/5/2007                  |
|  | AS07108PO-WR-R.idw |             |          | <b>AS07108PO-WR-R</b> |      | <b>Speaker</b> |          | Edition: -<br>Sheet: 1 / 1 |