

Excellent Integrated System Limited

Stocking Distributor

Click to view price, real time Inventory, Delivery & Lifecycle Information:

[Molex Connector Corporation](#)
[0731375003](#)

For any questions, you can email us directly:

sales@integrated-circuit.com

MATERIALS AND FINISHES

BODY ZINC ALLOY
PLATED NICKEL

HOUSING PBT
COLOR BLACK

CENTER CONTACT PHOSPHOR BRONZE
PLATED GOLD/TIN

INSULATOR POLYPROPYLENE

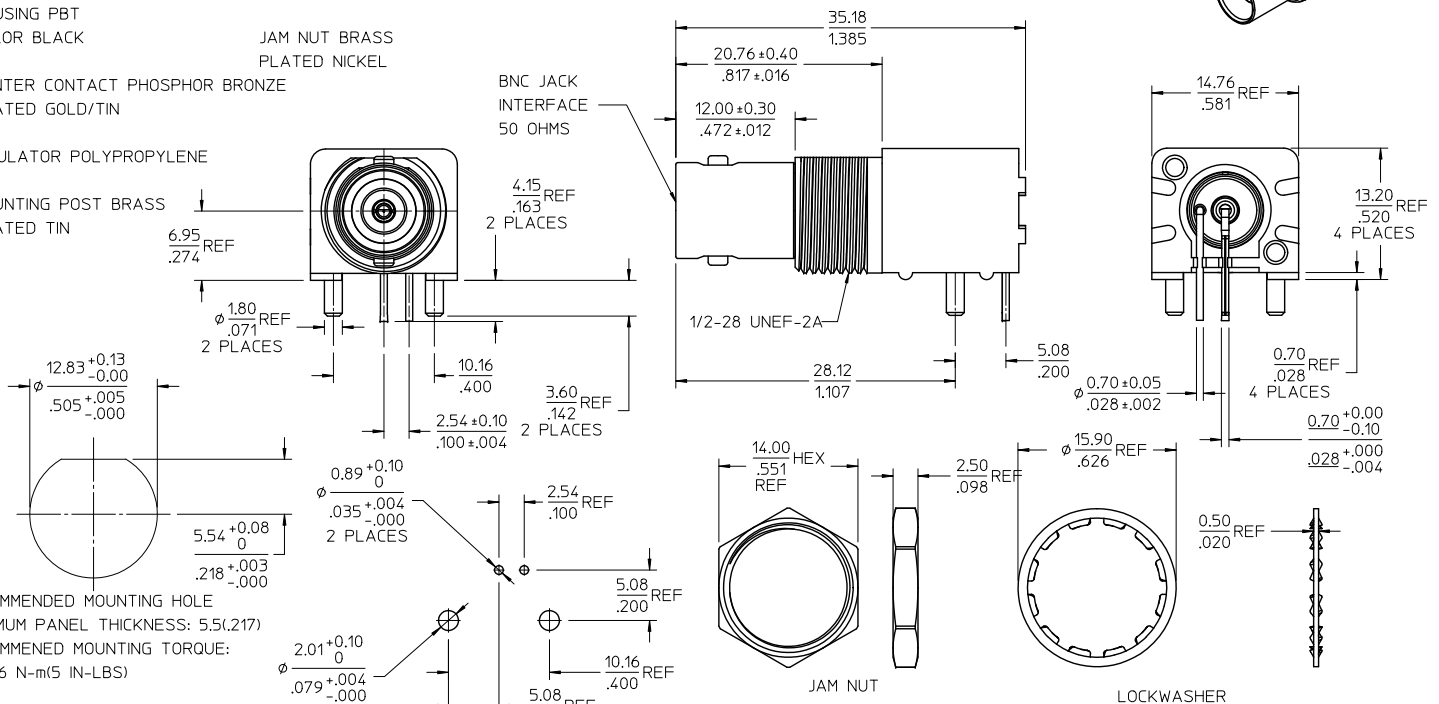
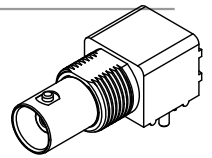
MOUNTING POST BRASS
PLATED TIN

SOLDER TAIL STEEL WIRE
PLATED TIN

LOCKWASHER PHOSPHOR BRONZE
PLATED NICKEL

JAM NUT BRASS
PLATED NICKEL

BNC JACK
INTERFACE
50 OHMS



RECOMMENDED MOUNTING HOLE
MAXIMUM PANEL THICKNESS: 5.5(.217)
RECOMMENDED MOUNTING TORQUE:
0.56 N-m(5 IN-LBS)

RECOMMENDED PCB LAYOUT

PS-89675-1030	ELECTRO/MECH PERFORM.
SPECIFICATION	DESCRIPTION

73171-4350	QTY (1) OF 73137-5003 IN SINGLE BAG WITH LABEL
73137-5003	BULK
PART NO.	PACKAGING

CHG: ADD 73171-4350 EC NO: URF2012-0448 DRAWN BY: BOMALLEY CHKD BY: AZR APPR: JWIENER	QUALITY SYMBOLS	GENERAL TOLERANCES (UNLESS SPECIFIED)	DIMENSION STYLE	SCALE	DESIGN UNITS	THIRD ANGLE PROJECTION
	▽=0	mm INCH	MM/IN		METRIC	
	▽=0	4 PLACES ± --- ± ---	DRAWN BY: BOMALLEY	DATE: 2012/01/18	TITLE: BNC JACK, R/A, PCB RECEPTACLE, 50 OHMS	
		3 PLACES ± --- ± ---	CHECKED BY: AZR	DATE: 2012/01/18		
	2 PLACES ± --- ± ---	APPROVED BY: JWIENER	DATE: 2012/02/06	MATERIAL NO. MOLEX INCORPORATED	DOCUMENT NO. SD-73137-5003	SHEET NO. 1 OF 1
	1 PLACE ± --- ± ---	ANGULAR ± 2 °	SEE TABLE	THIS DRAWING CONTAINS INFORMATION THAT IS PROPRIETARY TO MOLEX INCORPORATED AND SHOULD NOT BE USED WITHOUT WRITTEN PERMISSION		
	DRAFT WHERE APPLICABLE MUST REMAIN WITHIN DIMENSIONS					