

Excellent Integrated System Limited

Stocking Distributor

Click to view price, real time Inventory, Delivery & Lifecycle Information:

[Molex Connector Corporation](#)
[0731385033](#)

For any questions, you can email us directly:

sales@integrated-circuit.com

MATERIALS AND FINISHES

BODY: ZINC ALLOY
PLATED NICKEL

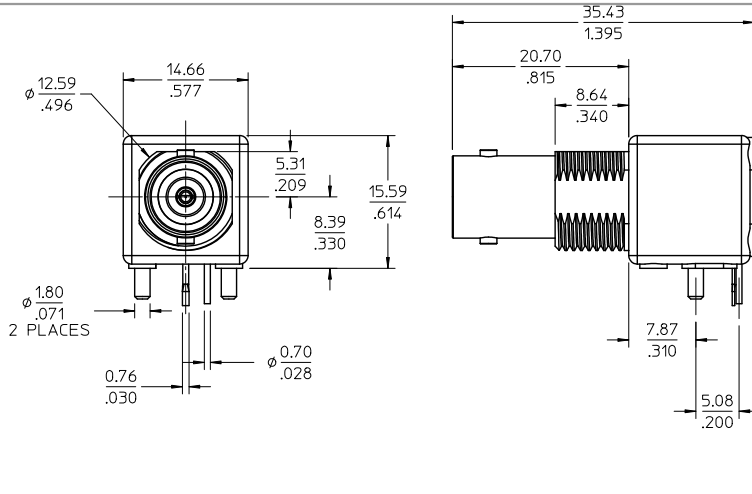
CONTACT: PHOSPHOR BRONZE
PLATED GOLD

INSULATOR: POLYPROPYLENE (94 V-2)

MOUNTING POST: BRASS
PLATED TIN

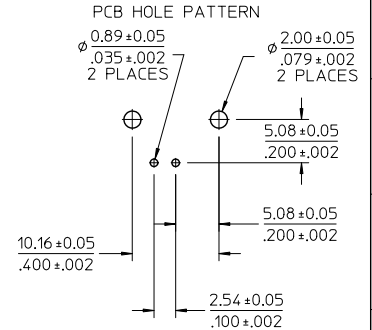
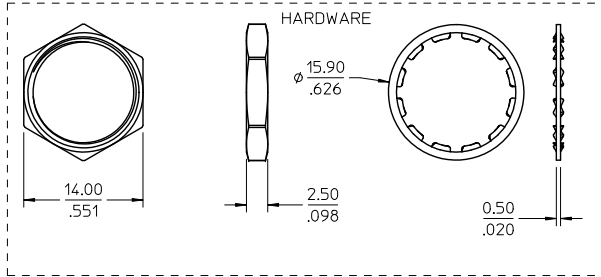
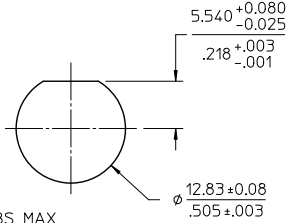
JAM NUT: BRASS
PLATED NICKEL

SOLDER TAIL: COPPER COVERED STEEL
PLATED TIN



73171-4360	INCLUDED	QTY (1) OF 73138-5033 IN SINGLE BAG WITH LABEL
73171-3720	NOT INCLUDED	BULK (TRAY)
73138-5033	INCLUDED	BULK (TRAY)
PART NO.	HARDWARE	PACKAGING

PANEL CUT-OUT
THICKNESS: 5.5/.216 MAX
MOUNTING TORQUE: 17 IN-LBS MAX



PS-89675-1030	ELEC/MECH PERFORMANCE
SPECIFICATION	DESCRIPTION

CHG: ADD 73171-4360 AND LABEL EC NO: URF202-0448 2017/01/25 DRW: BOMALLEY 2017/02/01 CHK: DAZR 2017/02/01 APPR: WJENER 2017/02/06 G4 REV	QUALITY SYMBOLS ▽=0 ▽=0	GENERAL TOLERANCES (UNLESS SPECIFIED) mm INCH 4 PLACES ± --- ± --- 3 PLACES ± --- ± --- 2 PLACES ± --- ± --- 1 PLACE ± --- ± --- ANGULAR ± 2°	DIMENSION STYLE MM/IN DRAWN BY IRIS WANG 1991/02/26 CHECKED BY IRIS WANG 1991/02/26 APPROVED BY R FIELDS 1991/02/26	SCALE DESIGN UNITS METRIC THIRD ANGLE PROJECTION	TITLE BNC JACK RA BULKHEAD DIECAST 50 OHM BNC-J/PCB	MATERIAL NO. SEE TABLE	DOCUMENT NO. SD-73138-5033	SHEET NO. 1 OF 1	
		DRAFT WHERE APPLICABLE MUST REMAIN WITHIN DIMENSIONS							
		THIS DRAWING CONTAINS INFORMATION THAT IS PROPRIETARY TO MOLEX INCORPORATED AND SHOULD NOT BE USED WITHOUT WRITTEN PERMISSION							
		MOLEX INCORPORATED							