

Excellent Integrated System Limited

Stocking Distributor

Click to view price, real time Inventory, Delivery & Lifecycle Information:

[Molex Connector Corporation](#)
[0731000114](#)

For any questions, you can email us directly:

sales@integrated-circuit.com

MATERIALS AND FINISHES

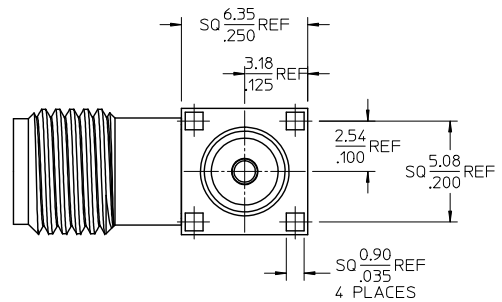
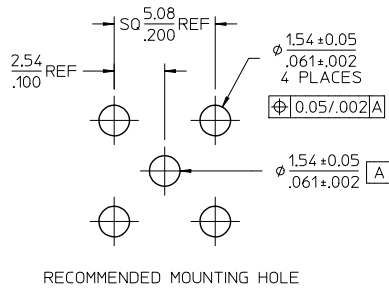
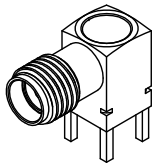
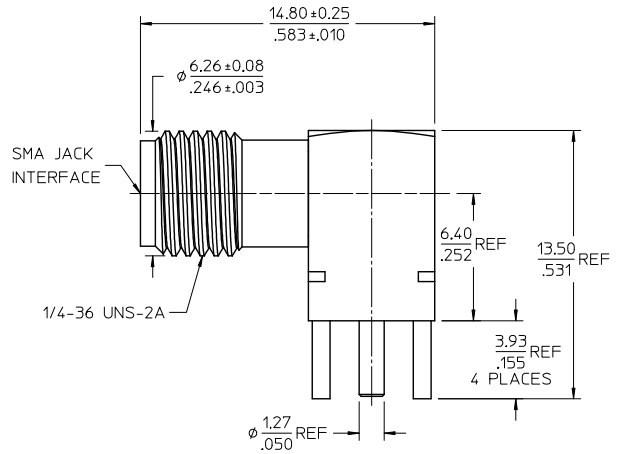
BODY BRASS
PLATED GOLD

CENTER CONTACT BERYLLIUM COPPER
PLATED GOLD

PCB CONTACT BRASS
PLATED GOLD

INSULATOR TEFLON

EXCEPTION TO PRODUCT SPECIFICATION
73598-0111: FREQUENCY RANGE: DC TO 12GHz



73251-3130	73100-0114, ONE PER BAG
73100-0114	TRAY
PART NO.	PACKAGING

PS-73598-0111	ELEC/MECH PERFORMANCE
SPECIFICATION	DESCRIPTION

CHG: ADD PACKING SHEET PER REF 15-E247	EC NO: URF2015-0738	2015/06/26
DRW: RTH	CHKD: CHENG	APPR: CHENG
DESCRIPTION	REV	

GENERAL TOLERANCES (UNLESS SPECIFIED)	
mm	INCH
4 PLACES ±	±
3 PLACES ±	±
2 PLACES ±	±
1 PLACE ±	±
0 PLACE ±	±
ANGULAR ± 2°	
DRAFT WHERE APPLICABLE MUST REMAIN WITHIN DIMENSIONS	

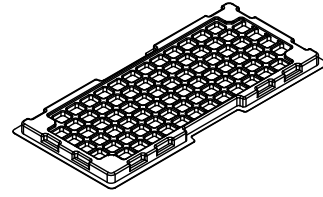
DIMENSION STYLE	
MM/IN	
DRAWN BY	DATE
THOMPSON TSN	1993/10/15
CHECKED BY	DATE
VLID WANG	1995/09/23
APPROVED BY	DATE
MHUANG	2010/02/22
MATERIAL NO.	
SEE TABLE	
SIZE C	

SCALE	DESIGN UNITS	THIRD ANGLE PROJECTION
7:1	METRIC	
TITLE		
SMA JACK,R/A PCB,50 OHMS SMA-J/PCB		
molex		
DOCUMENT NO.	SHEET NO.	
SD-73100-0114	1 OF 2	

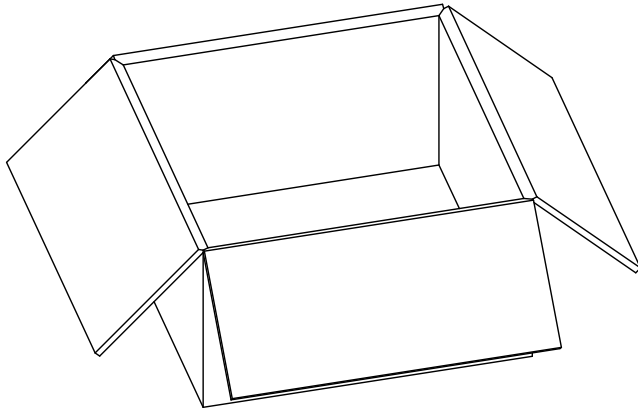
13 12 11 10 9 8 7 6 5 4 3 2 1



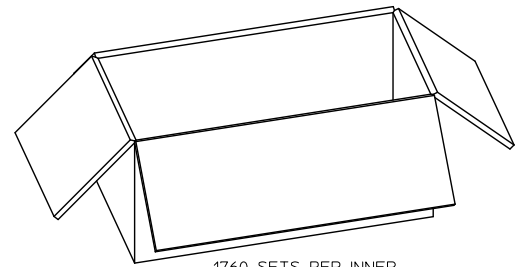
P/N: 73100-0114



80 SETS PER TRAY
P/N: 89707-0190



3520 SETS PER OUTER
CARTON BOX
P/N: 96708-0005



1760 SETS PER INNER
CARTON BOX
P/N: 96707-0001

CHG/SEE SHEET 1 EC NO: URF2015-0738 DRAWN BY: 2015/06/26 CHKD: 2015/07/01 APPR: Y.CHENG REV:	QUALITY SYMBOLS	GENERAL TOLERANCES (UNLESS SPECIFIED)	DIMENSION STYLE	SCALE	DESIGN UNITS	THIRD ANGLE PROJECTION
	4 PLACES ± --- ± --- 3 PLACES ± --- ± --- 2 PLACES ± --- ± --- 1 PLACE ± --- ± --- 0 PLACE ± --- ± ---	mm INCH THOMPSON TSN 1993/10/15 CHECKED BY: VLID WANG 1995/09/23 APPROVED BY: MHUANG 2010/02/22	MM/IN	1:1	METRIC	SMA JACK,R/A PCB,50 OHMS SMA-J/PCB
	ANGULAR ± 2 ° DRAFT WHERE APPLICABLE MUST REMAIN WITHIN DIMENSIONS	MATERIAL NO. SEE TABLE	DOCUMENT NO.	molex SD-73100-0114		SHEET NO.
		SIZE	THIS DRAWING CONTAINS INFORMATION THAT IS PROPRIETARY TO MOLEX INCORPORATED AND SHOULD NOT BE USED WITHOUT WRITTEN PERMISSION			

12 11 10 9 8 7 6 5 4 3 2 1