

Excellent Integrated System Limited

Stocking Distributor

Click to view price, real time Inventory, Delivery & Lifecycle Information:

[Molex Connector Corporation](#)
[0734151471](#)

For any questions, you can email us directly:

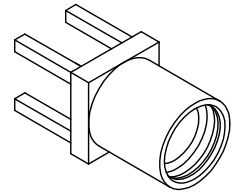
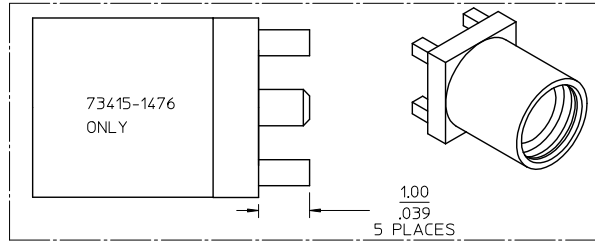
sales@integrated-circuit.com

MATERIALS AND FINISHES

BODY SEE TABLE
PLATED SEE TABLE

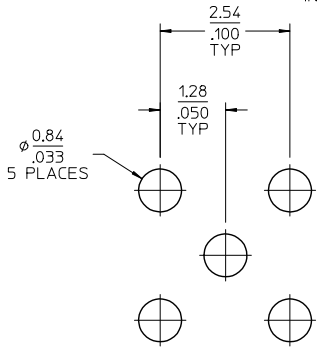
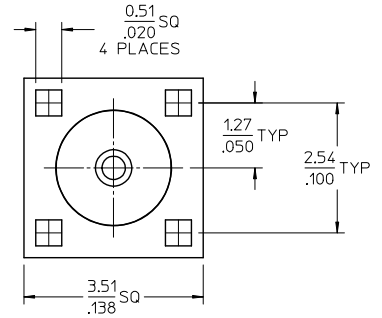
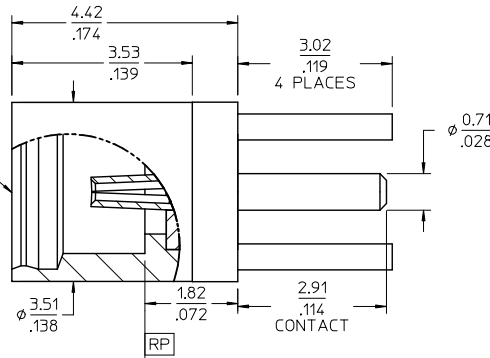
CENTER CONTACT BERYLLIUM COPPER
PLATED GOLD

INSULATOR TEFLON



NOTE
PART # 73415-1473 IS

(NON-MAGNETIC)



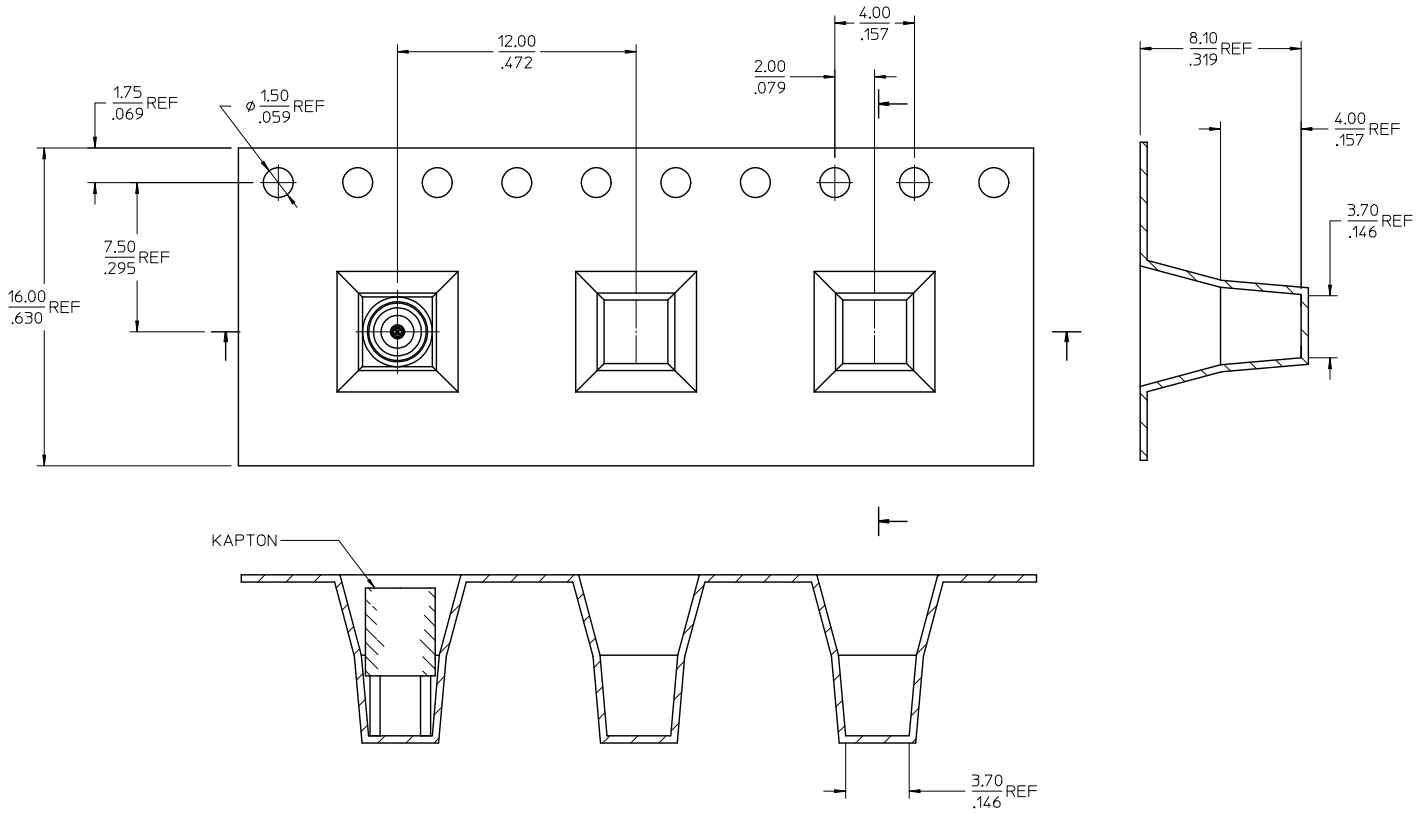
SUGGESTED PCB LAYOUT

73415-1477	TRAY	BRASS/GOLD(PER COMMERCIAL REQUIREMENT)
73415-1476	TRAY (1.00 MM LEG LENGTHS)	BRASS/GOLD(PER COMMERCIAL REQUIREMENT)
73415-1475	P/N 73415-1471 WITH TAPE AND REEL	BRASS/GOLD(PER COMMERCIAL REQUIREMENT)
73415-1474	TRAY	BRASS/GOLD(PER COMMERCIAL REQUIREMENT)
73415-1473	BULK	BeCu/GOLD (NON MAGNETIC)
73415-1472	P/N 73415-1471, ONE PER BAG	BRASS/GOLD(PER COMMERCIAL REQUIREMENT)
73415-1471	BULK	BRASS/GOLD(PER COMMERCIAL REQUIREMENT)
73415-1470	BULK	BRASS/GOLD(PER MILITARY REQUIREMENT)
CECC 22 340	INTERFACE	
PS-89675-1920	ELECTRO/MECH PER.	PART NO. PACKAGING
SPECIFICATION	DESCRIPTION	MATERIAL/PLATING

CHG: ADDED -1477 PDR:1421835 REC NO: URF2015-0437 DRAWN: CHENG CHKD: APPR: CHENG 2015/02/10 DESCRIPTION REV B10	QUALITY SYMBOLS	GENERAL TOLERANCES (UNLESS SPECIFIED)	DIMENSION STYLE	SCALE	DESIGN UNITS	THIRD ANGLE PROJECTION
	▼=0 ∇=0	mm INCH 4 PLACES ± --- ± --- 3 PLACES ± --- ± --- 2 PLACES ± --- ± --- 1 PLACE ± --- ± --- ANGULAR ± 2 °	MM/IN	METRIC		
		DRAFT WHERE APPLICABLE MUST REMAIN WITHIN DIMENSIONS	DRAWN BY DATE TEF 2000/01/14 CHECKED BY DATE TEF 2000/01/14 APPROVED BY DATE GMH 2000/01/14			TITLE MMCX JACK, PCB MOUNT 50 OHMS MMCX-J/PCB
			MATERIAL NO. SEE TABLE SIZE C	MOLEX INCORPORATED DOCUMENT NO. SD-73415-147		SHEET NO. 1 OF 3

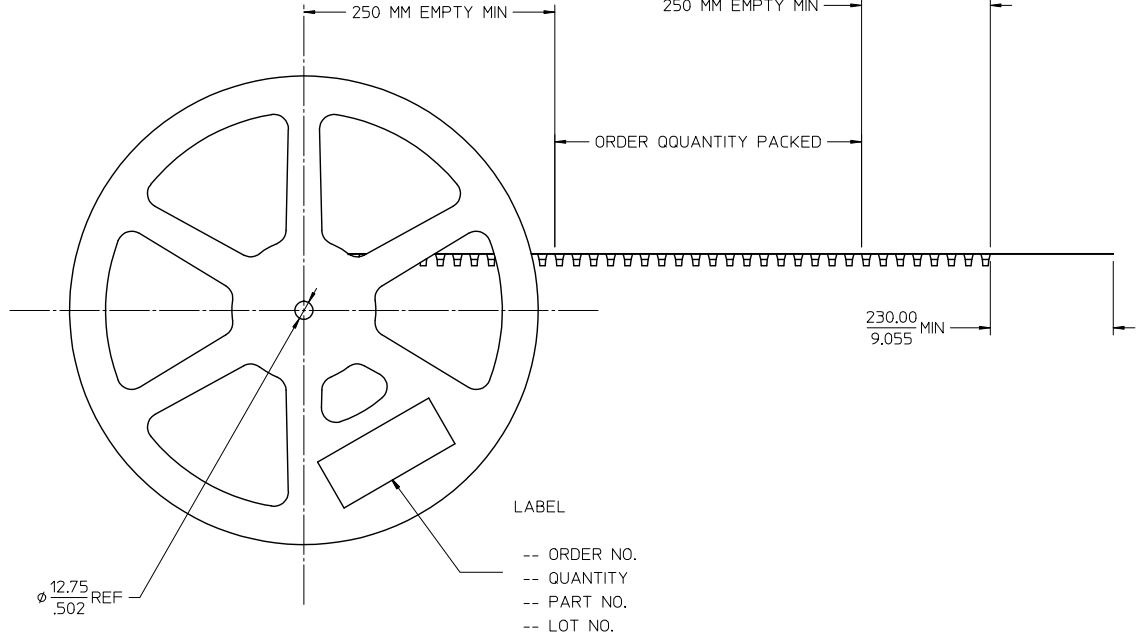
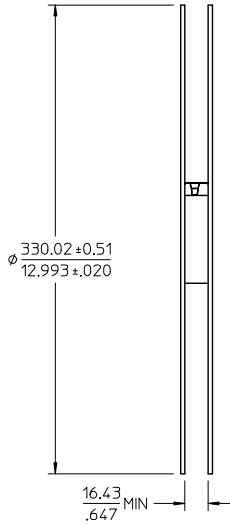
NOTE

DIMENSIONS ARE PROVIDED FOR REFERENCE ONLY



CHG: SEE SHEET 1 EC NO: URF2015-0437 DRAWN: CHENG 2015/02/10 CHKD: APPR: CHENG 2015/02/10	QUALITY SYMBOLS ▽=0 ▽=0	GENERAL TOLERANCES (UNLESS SPECIFIED)		DIMENSION STYLE		SCALE	DESIGN UNITS	THIRD ANGLE PROJECTION
		mm	INCH	MM/IN			METRIC	
B10	4 PLACES	±	---	DRAWN BY	TEF	DATE	TITLE	
	3 PLACES	±	---	CHECKED BY	TEF	DATE	MMCX JACK, PCB MOUNT	
	2 PLACES	±	---	APPROVED BY	GMH	DATE	50 OHMS	
	1 PLACE	±	---	ANGULAR ± 2 °		DATE	MMCX-J/PCB	
DRAFT WHERE APPLICABLE MUST REMAIN WITHIN DIMENSIONS		SEE TABLE		MATERIAL NO.	DOCUMENT NO.		SHEET NO.	
				SD-73415-147		MOLEX INCORPORATED		2 OF 3
				THIS DRAWING CONTAINS INFORMATION THAT IS PROPRIETARY TO MOLEX INCORPORATED AND SHOULD NOT BE USED WITHOUT WRITTEN PERMISSION				

13" REEL SIZE



CHG: SEE SHEET 1 EC NO: URF2015-0437 DRAWN: CHENG 2015/02/10 CHKD: APPR: CHENG 2015/02/10 DESCRIPTION REV	QUALITY SYMBOLS	GENERAL TOLERANCES (UNLESS SPECIFIED)	DIMENSION STYLE	SCALE	DESIGN UNITS	THIRD ANGLE PROJECTION
	▽=0 ▽=0	mm INCH 4 PLACES ± --- ± --- 3 PLACES ± --- ± --- 2 PLACES ± --- ± --- 1 PLACE ± --- ± --- ANGULAR ± 2 °	MM/IN	DRAWN BY DATE TEF 2000/01/14 CHECKED BY DATE TEF 2000/01/14 APPROVED BY DATE GMH 2000/01/14	METRIC	TITLE MMCX JACK, PCB MOUNT 50 OHMS MMCX-J/PCB MOLEX INCORPORATED
DRAFT WHERE APPLICABLE MUST REMAIN WITHIN DIMENSIONS		SEE TABLE	MATERIAL NO.	DOCUMENT NO.	THIS DRAWING CONTAINS INFORMATION THAT IS PROPRIETARY TO MOLEX INCORPORATED AND SHOULD NOT BE USED WITHOUT WRITTEN PERMISSION	