

## Excellent Integrated System Limited

Stocking Distributor

Click to view price, real time Inventory, Delivery & Lifecycle Information:

[Molex Connector Corporation](#)  
[0734152161](#)

For any questions, you can email us directly:

[sales@integrated-circuit.com](mailto:sales@integrated-circuit.com)

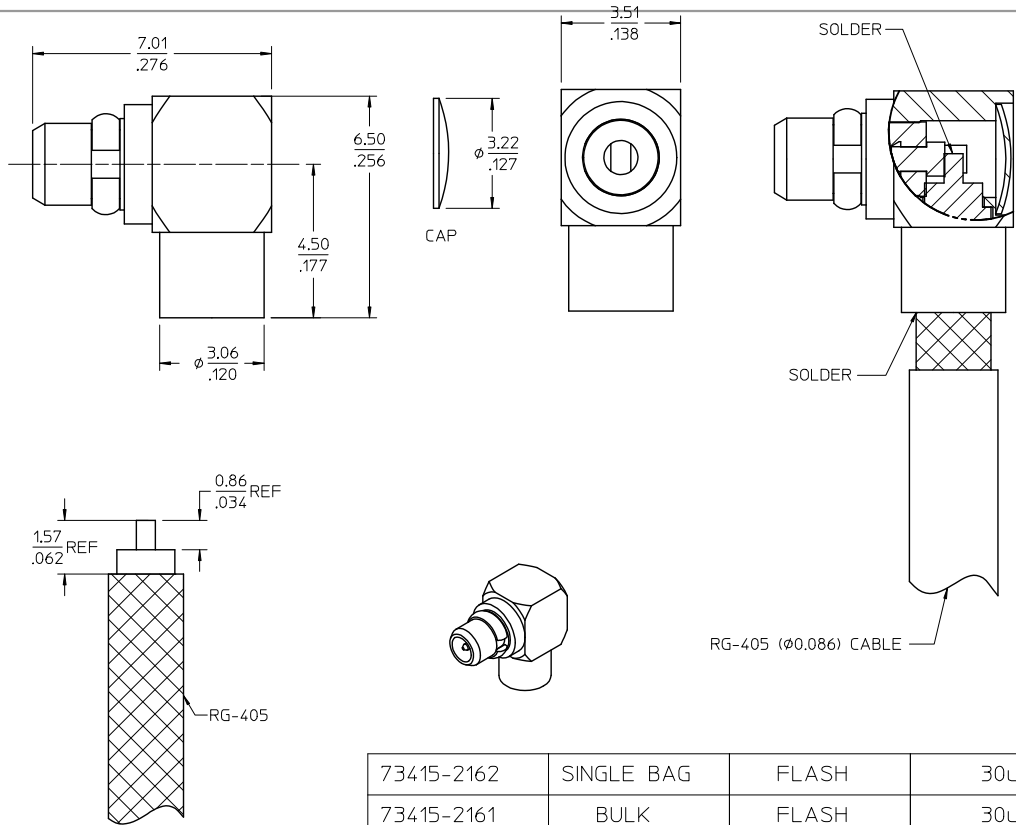
MATERIALS AND FINISHES:

BODY, CAP: BRASS  
PLATED: GOLD (SEE TABLE)

CENTER CONTACT: BRASS  
PLATED: GOLD (SEE TABLE)

SNAP RING: BERYLLIUM COPPER  
PLATED: GOLD (SEE TABLE)

INSULATOR: PTFE



CABLE STRIP DIMENSIONS FOR JACKETED CABLES

CABLE STRIP DIMENSIONS FOR NON JACKETED CABLES

73415-2162	SINGLE BAG	FLASH	30u"
73415-2161	BULK	FLASH	30u"
73415-2160	BULK	30u"	50u"
PART NO.	PACKAGING	BODY/CAP/RING	CONTACT
		GOLD	GOLD

PS-89675-1920	ELECTRO/MECH PERFORM.
SPECIFICATION	DESCRIPTION

CHG: PTFE WAS  
REFLOW SOLDERED GEN  
TYPICAL JACKET  
& NON JACKET  
CABLE DETAILS  
EC NO: URF2016-0187  
DRAWN: PRAKASHI 2015/08/28  
CHKD: LK 2015/08/28  
APPROVED: JWB 2015/09/11

QUALITY SYMBOLS	GENERAL TOLERANCES (UNLESS SPECIFIED)	DIMENSION STYLE	SCALE	DESIGN UNITS	THIRD ANGLE PROJECTION
▽=0	mm INCH	MM/IN	METRIC		
▽=0	4 PLACES ± --- ± ---	DRAWN BY TEF	DATE 2000/06/15	TITLE	
	3 PLACES ± --- ± 0,010	CHECKED BY SSS	DATE 2000/06/15	MMCX PLUG R/A	
	2 PLACES ± 0,25 ± ---	APPROVED BY JWIENER	DATE 2010/04/08	RG405 50 OHMS	
	1 PLACE ± --- ± ---	MATERIAL NO.	DOCUMENT NO.	MOLEX INCORPORATED	
	ANGULAR ± 2 °	SEE TABLE	SD-73415-216	SHEET NO. 1 OF 1	
	DRAFT WHERE APPLICABLE MUST REMAIN WITHIN DIMENSIONS	THIS DRAWING CONTAINS INFORMATION THAT IS PROPRIETARY TO MOLEX INCORPORATED AND SHOULD NOT BE USED WITHOUT WRITTEN PERMISSION			