

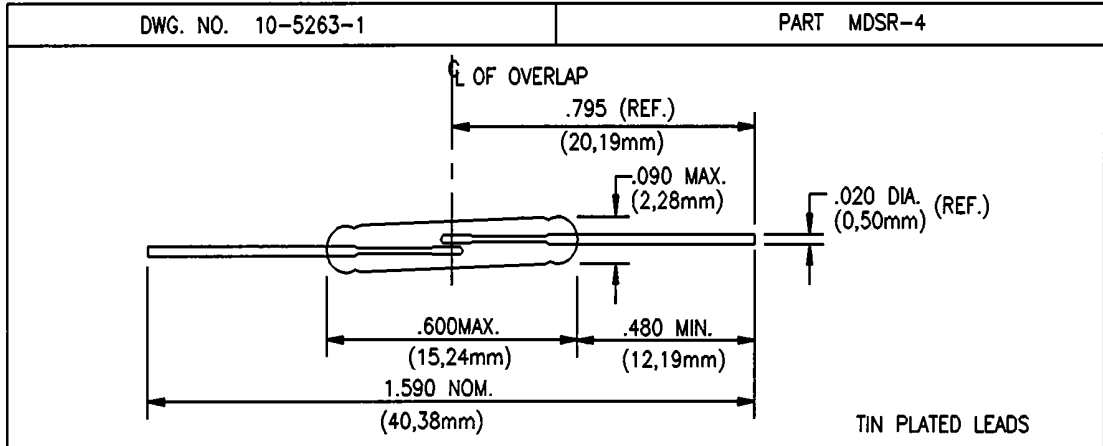
Excellent Integrated System Limited

Stocking Distributor

Click to view price, real time Inventory, Delivery & Lifecycle Information:

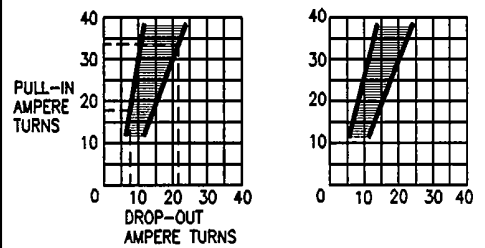
[Littelfuse](#)
[MDSR-4-12-18](#)

For any questions, you can email us directly:
sales@integrated-circuit.com



ELECTRICAL RATINGS				MAGNETIC CHARACTERISTICS		
CONTACT FORM			A	TEST COIL L4989		
CONTACT RATING		WATTS	10			
RATING SENSITIVITY		AMPERE TURNS	20	STANDARD TOLERANCE	AMPERE TURNS	12-23
VOLTAGE	SWITCHING	VDC-MAX.	200	PULL-IN RANGES		17-28
	BREAKDOWN	VDC-MIN	250			22-33
	ARC-QUENCH	VDC-MIN	200			27-38
CURRENT	SWITCHING	AMPERES-MAX.	0.5	TIGHTENED TOLERANCE	AMPERE TURNS	12-18
	CARRY	AMPERES-MAX.	1.2			
RESISTANCE	CONTACT, INITIAL	OHMS-MAX.	0.10			22-28
	INSULATION	OHMS-MIN.	10 10			27-33
CAPACITANCE		PICOFARADS-TYP.	0.2	DROP-OUT (DESIGN PARAMETER)		

OPERATING CHARACTERISTICS			
OPERATE TIME		ms-MAX.	0.6
RELEASE TIME		ms-MAX.	0.2
SHOCK	G's MAX., 11ms 1/2 SINE WAVE		100
VIBRATION	G's MAX., 50-2000 HERTZ		30
RESONANT FREQUENCY		HERTZ, TYP.	3900
TEMPERATURE OPERATING	DEGREES, CELSIUS		-40 TO +125
	STORAGE		DEGREES, CELSIUS -65 TO +125
SEE REED SWITCH CATALOG FOR DEFINITION OF TERMS			



EXAMPLE:
 17-33 AT PULL-IN
 8-21 AT DROP-OUT

DRAWING REVISIONS		
REV. NO.	DATE	DCR NO.

HAMLIN
 1993
 THIS DESIGN AND PRINT IS COPYRIGHT AND IS THE PROPERTY OF HAMLIN INC. IT MUST NOT BE COPIED OR PERMITTED TO BE COPIED. NOR MUST ITS CONTENTS BE DIVULGED TO ANY THIRD PARTY WITHOUT PRIOR WRITTEN PERMISSION FROM THE COMPANY.
 SHEET 1 OF 1 SHEET(S)
 DIM.: INCHES (mm)
 DWG. NO. 10-5263-1

MDSR-4