

Excellent Integrated System Limited

Stocking Distributor

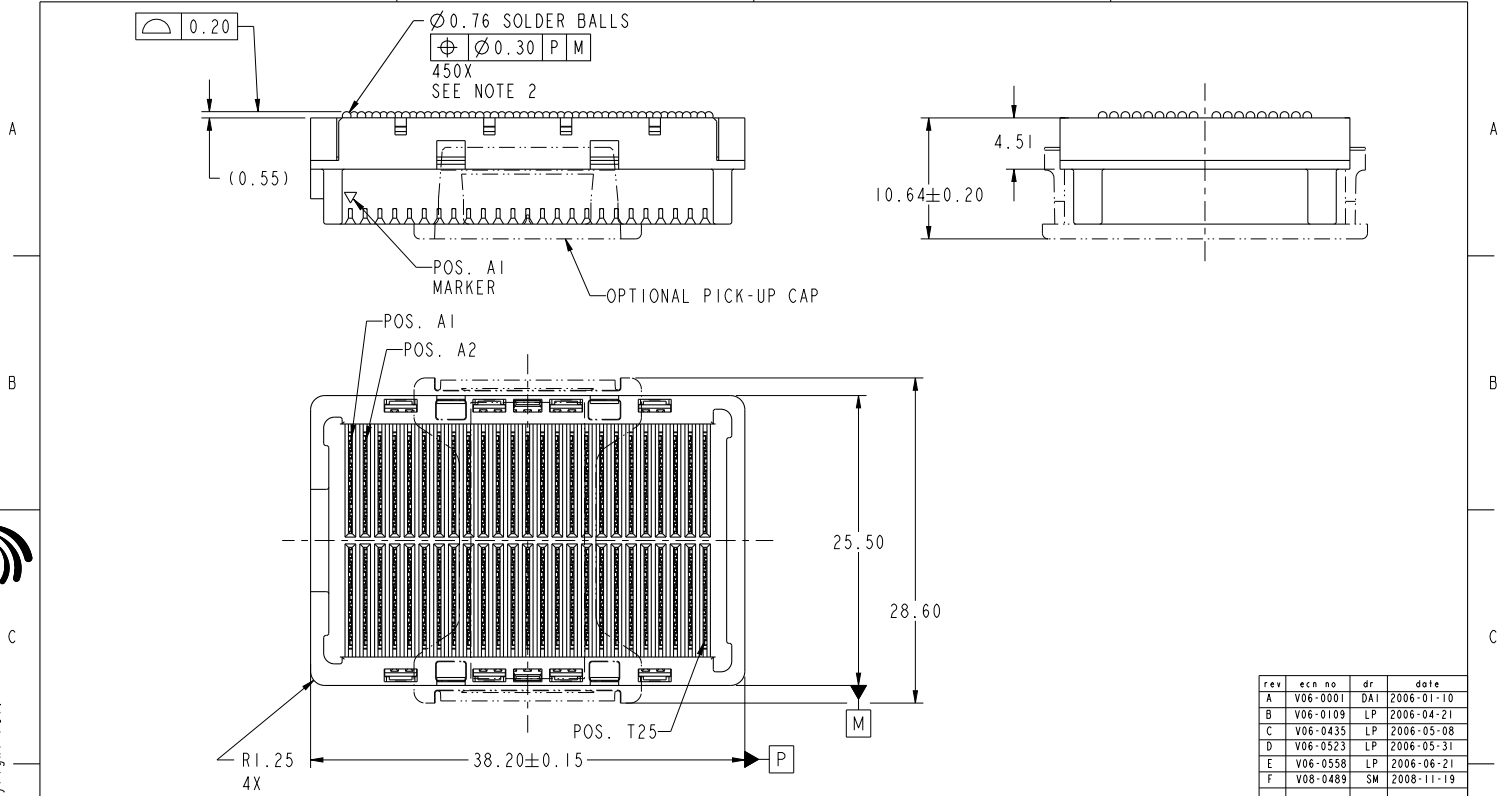
Click to view price, real time Inventory, Delivery & Lifecycle Information:

[FCI](#)

[55740-001LF](#)

For any questions, you can email us directly:

sales@integrated-circuit.com



rev	ech no	dr	date
A	V06-0001	DAI	2006-01-10
B	V06-0109	LP	2006-04-21
C	V06-0435	LP	2006-05-08
D	V06-0523	LP	2006-05-31
E	V06-0558	LP	2006-06-21
F	V08-0489	SM	2008-11-19

spec ref	*	dr	Bill Lin	2010/02/02	projection	mm	size	A4	scale	1:10
tolerance std	ASME Y14.5	eng	Nickor Zuo	2011/06/09			ecn no	ELX-DG-003943-1		
TOLERANCES UNLESS OTHERWISE SPECIFIED		chr	Alex Cao	2011/06/24				product family	GIG-Array	rel level
surface	linear	appr	Pei-Ming Zheng	2011/06/27	title		GIG-Array		dwg no	55740
	0.X				5mm RECP. ASSY. 200 SIG. POS.				rev	G
	0.XX								Product - Customer Drw	
	0.XXX								sheet 1 of 5	
	angular									
	0°									
	±2°									

Print File - REV C - 2009-08-09

1

2

3

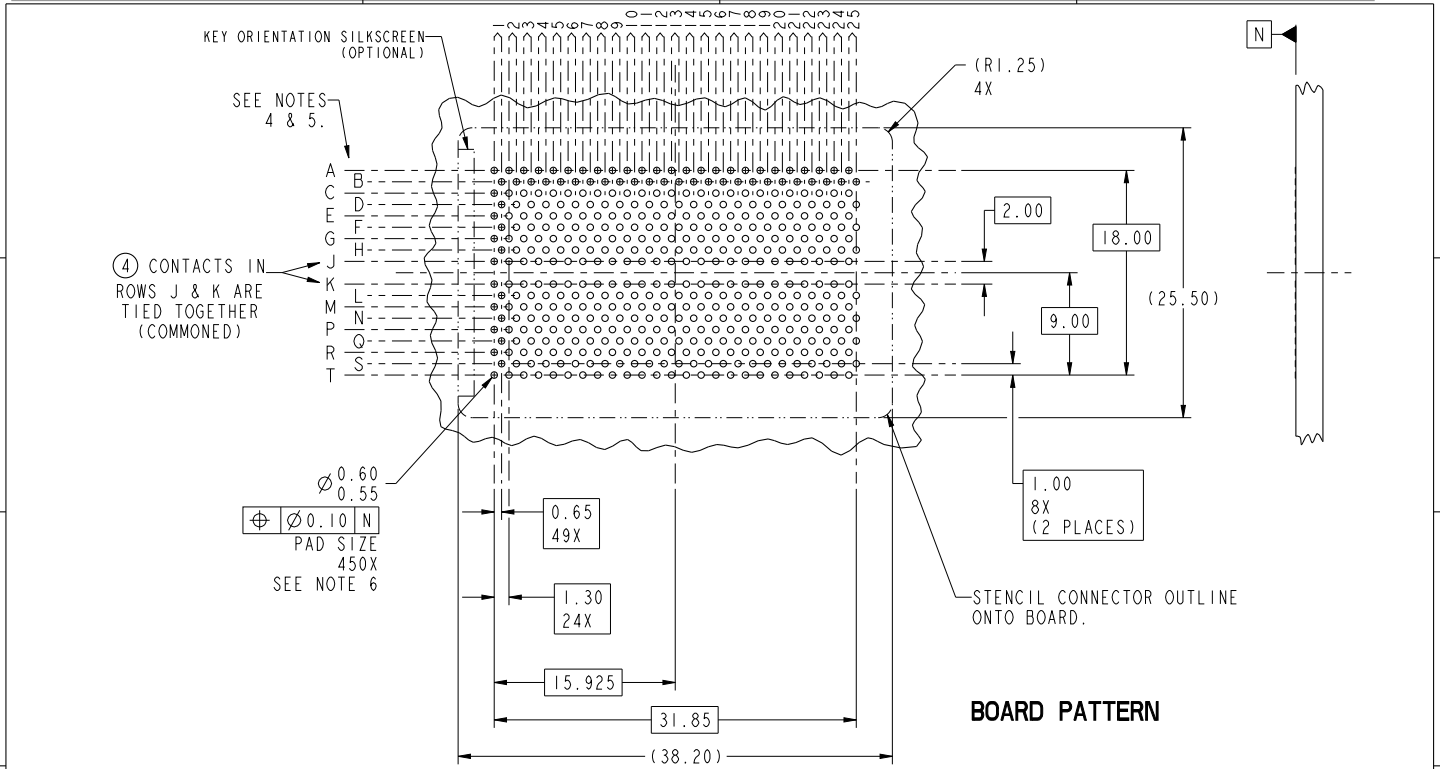
PDS: Rev :G

STATUS:Released

Printed: Jun 28, 2011



Copyright FCI.



spec ref	*	dr	Bill Lin	2010/02/02	projection	mm	size	A4	scale	1:10
tolerance std	ASME Y14.5	eng	Nickor Zuo	2011/06/09			ecn no	ELX-DG-003943-1	rel level	Released
TOLERANCES UNLESS OTHERWISE SPECIFIED		chr	Alex Cao	2011/06/24						
surface	linear	appr	Pei-Ming Zheng	2011/06/27	product family	GIG-Array	rel level	Released		
	0.X					GIG-Array	dwg no	55740	rev	G
	0.XX									
	0.XXX									
	angular				www.fci.com	cat. no.	*	Product - Customer Drw	sheet 2 of 5	

Print File: REV C - 2009-06-09

1

2

3

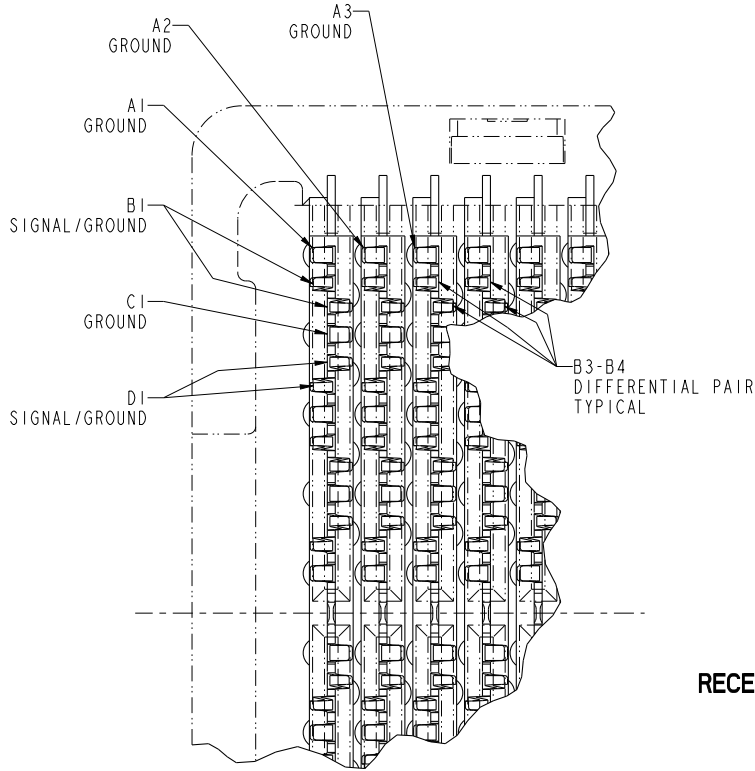
PDS: Rev :G

STATUS:Released

Printed: Jun 28, 2011



Copyright FCI.



RECEPTACLE INTERFACE DESCRIPTION

spec ref	*	dr	Bill Lin	2010/02/02	projection	mm	size	A4	scale	37:5													
tolerance std	ASME Y14.5	eng	Nickor Zuo	2011/06/09			ec n no	ELX-DG-003943-1															
TOLERANCES UNLESS OTHERWISE SPECIFIED		chr	Alex Cao	2011/06/24				product family	GIG-Array	rel level	Released												
surface	<table border="1"> <tr> <td>linear</td> <td>0.X</td> <td>±0.30</td> </tr> <tr> <td></td> <td>0.XX</td> <td>±0.10</td> </tr> <tr> <td></td> <td>0.XXX</td> <td>±0.05</td> </tr> <tr> <td>angular</td> <td>0°</td> <td>±2°</td> </tr> </table>	linear	0.X	±0.30		0.XX	±0.10		0.XXX	±0.05	angular	0°	±2°	appr	Pei-Ming Zheng	2011/06/27			title	GIG-Array		rev	G
linear	0.X	±0.30																					
	0.XX	±0.10																					
	0.XXX	±0.05																					
angular	0°	±2°																					
							<table border="1"> <tr> <td>5mm RECP. ASSY. 200 SIG. POS.</td> <td>dwg no</td> <td>55740</td> </tr> </table>	5mm RECP. ASSY. 200 SIG. POS.	dwg no	55740	cat. no.	*	Product - Customer Drw	sheet 3 of 5									
5mm RECP. ASSY. 200 SIG. POS.	dwg no	55740																					

Print File : REC - 2009-06-09

1

2

3

PDS: Rev :G

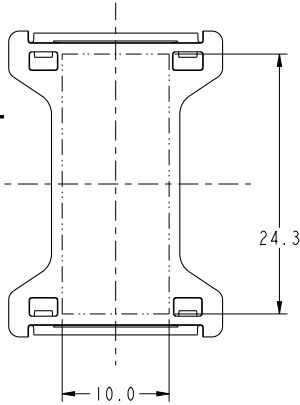
STATUS:Released

Printed: Jun 28, 2011

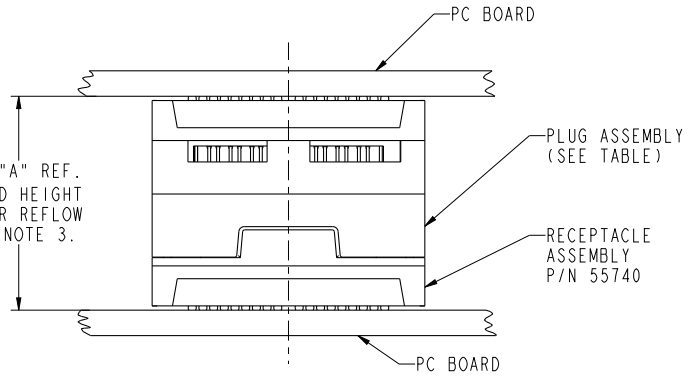


Copyright FCI.

FLAT AREA
FOR OPTIONAL
PICK-UP CAP
SCALE 2:1



DIM "A" REF.
MATED HEIGHT
AFTER REFLOW
SEE NOTE 3.



END VIEW OF MATED CONNECTORS
SCALE 2:1

DIM. "A"	PLUG ASSEMBLY P/N
15	55737
17	10026802
18	10030626
20	55738
25	55739
30	10054783

spec ref	*	dr	Bill Lin	2010/02/02	projection	mm	size	A4	scale	11:10
tolerance std	ASME Y14.5	eng	Nickor Zuo	2011/06/09			ec n no	ELX-DG-003943-1		
TOLERANCES UNLESS OTHERWISE SPECIFIED		chr	Alex Cao	2011/06/24				product family	GIG-Array	
surface	linear	appr	Pei-Ming Zheng	2011/06/27			title GIG-Array 5mm RECP. ASSY. 200 SIG. POS.	dwg no 55740	rev G	
	angular			cat. no. *		Product - Customer Drw				sheet 4 of 5
	0.X	±0.30								
	0.XX	±0.10								
	0.XXX	±0.05								
	0°	±2°								

Prod File - REV C - 2009-06-09

1

2

3

PDS: Rev :G

STATUS:Released

Printed: Jun 28, 2011



Copyright FCI.

PRODUCT NUMBER	SOLDER BALL COMPOSITION	CONTACT PLATING PERFORMANCE LEVEL
55740-001	STANDARD (EUTECTIC)	PERFORMANCE-BASED PLATING, QUALIFIED TO MEET THE REQUIREMENTS OF FCI PRODUCT SPECIFICATION GS-12-192, INCLUDING TELCORDIA CENTRAL OFFICE
55740-001LF	LEADFREE	
55740-201	STANDARD (EUTECTIC)	
55740-201LF	LEADFREE	

Au over Ni

NOTES:

- ① MATERIAL:
HOUSING: LCP
CONTACT: COPPER ALLOY
PLATING (CONTACT): SEE TABLE.
UL RATING: 94 V-0
SOLDERBALL: (SEE TABLE) EUTECTIC SnPb OR LEAD FREE 95.5 Sn/4Ag/0.5Cu.
- ② SOLDER BALLS WILL NOT BE PERFECT SPHERICAL SHAPE DUE TO REFLOW ATTACHMENT.
- ③ MATED HEIGHT EFFECTED BY CUSTOMERS' PCB PAD SIZE, PLATING, SOLDER REFLOW PROFILE & SOLDER PASTE.
- ④ CONTACTS IN ROWS A,C,E,G,J,K,M,P,R AND T ARE SINGLE BEAM CONTACTS, TYPICALLY USED AS GROUND PINS. (NOTE: CONTACTS IN ROWS J & K ARE TIED TOGETHER [COMMONED])
- ⑤ CONTACTS IN ROWS B,D,F,H,L,N,O AND S ARE DUAL BEAM CONTACTS, TYPICALLY USED AS SIGNAL PINS.
- ⑥ SPECIFIED POSITIONAL TOLERANCE DEFINES PAD TO PAD LOCATION WITHIN LAND PATTERN. POSITIONAL TOLERANCE OF LAND PATTERN TO FUDICIAL MARKS OR PCB DATUMS SHALL BE DEFINED BY CUSTOMER. FOR RECOMMENDED PRODUCT APPLICATION AND PCB DESIGN DETAILS, SEE DOC. NO. GS-20-016.
- ⑦ FOR PROPER APPLICATION FOLLOW FCI APPLICATION SPECIFICATION GS-20-033. LEAD FREE SOLDER BALLS WILL NOT SOLDER PROPERLY IN A LEADED SOLDER PROCESS DUE TO A HIGHER REFLOW TEMPERATURE. LEADFREE PRODUCT IS THEREFORE NOT BACKWARDS COMPATIBLE WITH LEADED OR SOME SOLDERING APPLICATIONS. REFERENCE FCI APPLICATION SPECIFICATION.
- ⑧ THIS PRODUCT MEETS THE EUROPEAN UNION DIRECTIVES AND OTHER COUNTRY REGULATIONS AS DESCRIBED IN GS-22-008. PRODUCT MEETING THIS DIRECTIVE IS IDENTIFIED IN THE CODE NUMBER MARKED ON EACH PART BY HAVING AN "X" IN THE SEVENTH CHARACTER POSITION.

spec ref	*	dr	Bill Lin	2010/02/02	projection		size	A4	scale	11:10		
tolerance std	ASME Y14.5	eng	Nickor Zuo	2011/06/09		mm	ec n no	ELX-DG-003943-1				
TOLERANCES UNLESS OTHERWISE SPECIFIED		chr	Alex Cao	2011/06/24				product family	GIG-Array	rel level	Released	
surface	linear	appr	Pei-Ming Zheng	2011/06/27	GIG-Array		dwg no	55740		rev	G	
	0.X	±0.30			5mm RECP. ASSY. 200 SIG. POS.							
	0.XX	±0.10										
	0.XXX	±0.05										
	angular	0°		±2°		www.fci.com		cat. no.		*	Product - Customer Drw	sheet 5 of 5

Print File - REV C - 2009-08-09

1

2

3

PDS: Rev :G

STATUS:Released

Printed: Jun 28, 2011



Copyright FCI.