

Excellent Integrated System Limited

Stocking Distributor

Click to view price, real time Inventory, Delivery & Lifecycle Information:

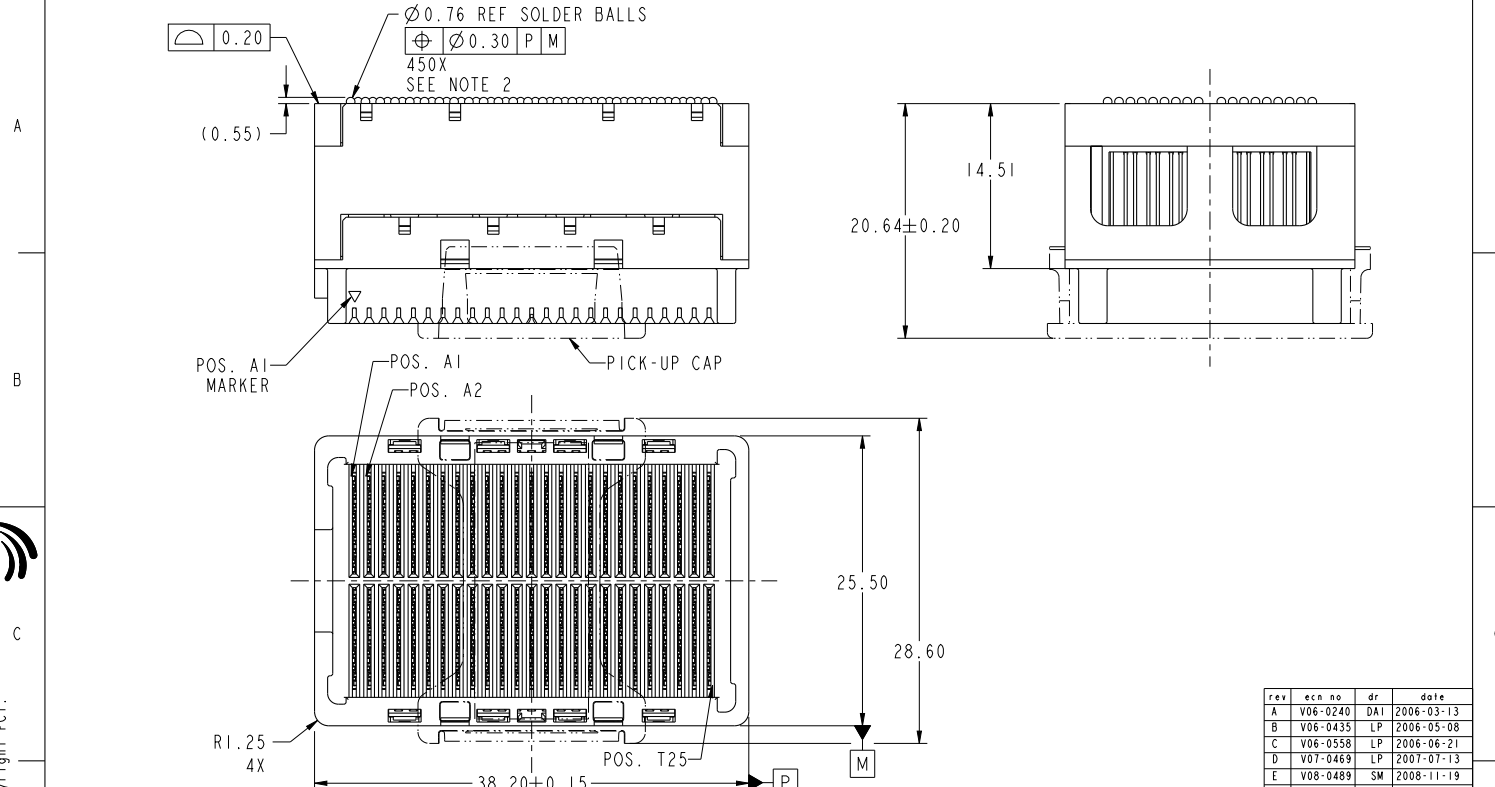
[FCI](#)
[55741-001](#)

For any questions, you can email us directly:
sales@integrated-circuit.com

2

3

4



rev	ech no	dr	date
A	V06-0240	DAI	2006-03-13
B	V06-0435	LP	2006-05-08
C	V06-0558	LP	2006-06-21
D	V07-0469	LP	2007-07-13
E	V08-0489	SM	2008-11-19



Copyright FCI.

spec ref	-	dr	Bill Lin	2010/02/02	projection		mm	size	A4	scale	21:10	
tolerance std	ASME Y14.5	eng	Nickor Zuo	2011/06/09	chr	Alex Cao	2011/06/24	ec n no	ELX-DG-003943-1			
surface	✓	appr	Pei-Ming Zheng	2011/06/27	product family	GIG-Array		rel level	Released			
	linear	0.X	±0.30		GIG-Array 15mm RECP. ASSY. 200 SIG. POS.			dwg no	55741		rev	F
		0.XX	±0.10									
		0.XXX	±0.05									
	angular	0°	±2°	www.fci.com	cat. no.	Product - Customer Drw			sheet 1 of 5			

Print File - REV C - 2009-08-09

1

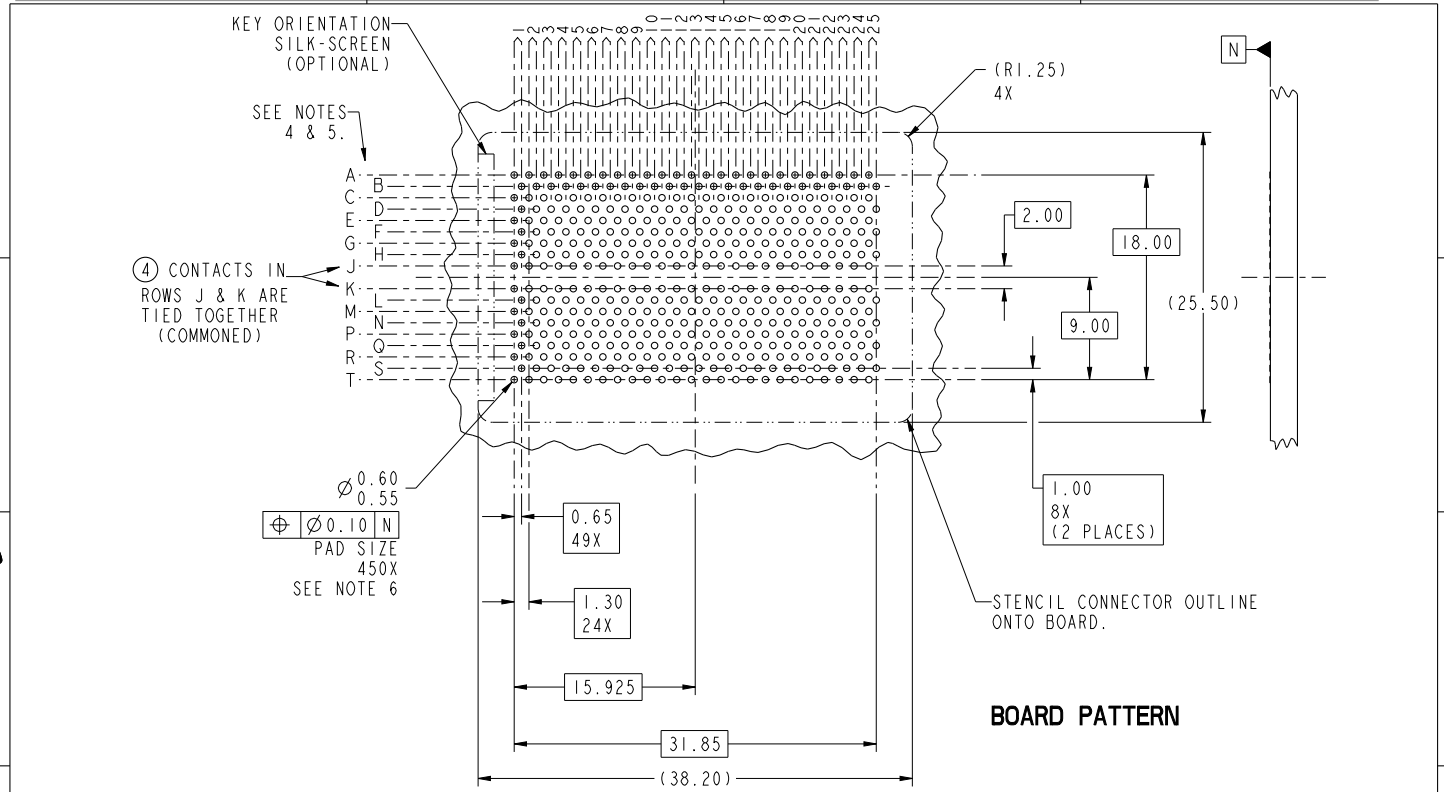
2

3

PDS: Rev :F

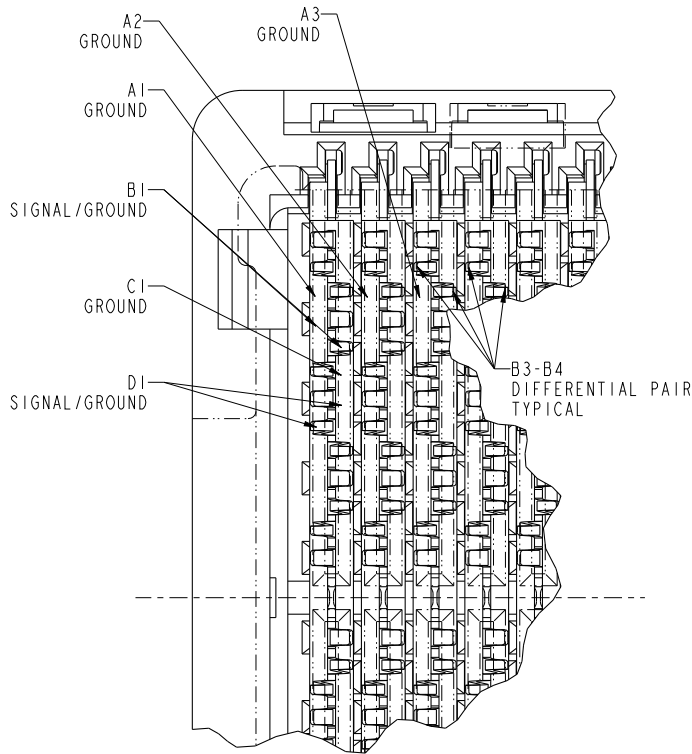
STATUS:Released

Printed: Jun 27, 2011



spec ref	-		dr	Bill Lin	2010/02/02	projection	mm		size	A4	scale	21:10		
tolerance std	ASME Y14.5		eng	Nickor Zuo	2011/06/09				ec n no	ELX-DG-003943-1				
TOLERANCES UNLESS OTHERWISE SPECIFIED		chr	Alex Cao	2011/06/24	product family				GIG-Array		rel level	Released		
surface	linear	0.X	±0.30		GIG-Array				www.fci.com	cat. no.	Product - Customer Drw	sheet 2 of 5		
		0.XX	±0.10		15mm RECP. ASSY. 200 SIG. POS.								rev	F
		0.XXX	±0.05		Product - Customer Drw									
	angular	0°	±2°	Product - Customer Drw				rev	F					

Print File: REC - 2009-06-09



RECEPTACLE INTERFACE DESCRIPTION

spec ref	-			dr	Bill Lin	2010/02/02	projection	mm	size	A4	scale	21:10
tolerance std	ASME Y14.5			eng	Nickor Zuo	2011/06/09			ec n no	ELX-DG-003943-1		
TOLERANCES UNLESS OTHERWISE SPECIFIED			chr	Alex Cao	2011/06/24	product family			GIG-Array	rel level	Released	
surface		linear	0.X	±0.30		GIG-Array 15mm RECP. ASSY. 200 SIG. POS.	www.fci.com	cat. no.	Product - Customer Drw	dwg no 55741	rev F	
			0.XX	±0.10								
			0.XXX	±0.05								
		angular	0°	±2°	sheet 3 of 5							

Print File : REV C - 2009-08-09

1

2

3

PDS: Rev :F

STATUS:Released

Printed: Jun 27, 2011



Copyright FCI.

A

B

C

D

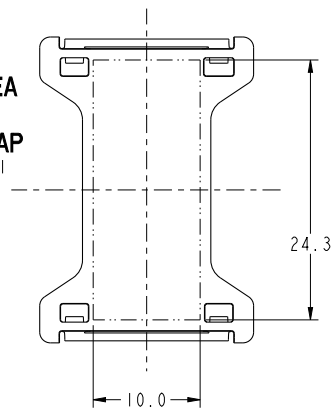
A

B

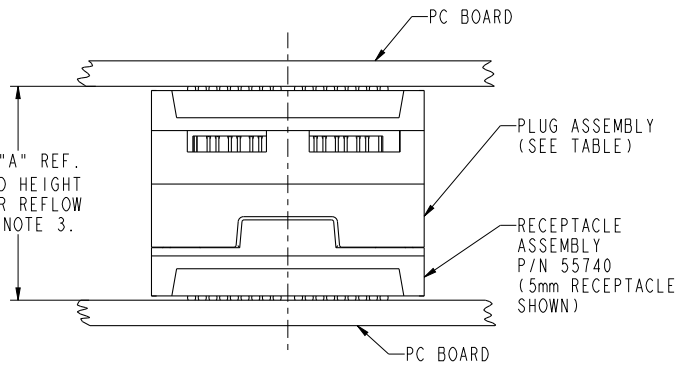
C

D

FLAT AREA FOR PICK-UP CAP
SCALE 2:1



DIM "A" REF. MATED HEIGHT AFTER REFLOW SEE NOTE 3.



END VIEW OF MATED CONNECTORS
SCALE 2:1

DIM. "A"	PLUG ASSEMBLY P/N
25	55737
27	10026802
28	10055142
30	55738
35	55739
40	10054783

Copyright FCI.

spec ref	-			dr	Bill Lin	2010/02/02	projection	mm	size	A4	scale	11:10			
tolerance std	TOLERANCES UNLESS OTHERWISE SPECIFIED			eng	Nickor Zuo	2011/06/09			ecn no	ELX-DG-003943-1					
ASME Y14.5				chr	Alex Cao	2011/06/24				product family	GIG-Array	rel level	Released		
surface	linear	0.X	±0.30	appr	Pei-Ming Zheng	2011/06/27		title	GIG-Array				dwg no	55741	rev
		0.XX	±0.10							cat. no.	Product - Customer Drw	sheet 4 of 5			
		0.XXX	±0.05												
	angular	0°	±2°												

Print File: REV C - 2009-06-09

1

2

3

PDS: Rev :F

STATUS:Released

Printed: Jun 27, 2011

PRODUCT NUMBER	SOLDER BALL COMPOSITION	CONTACT PLATING PERFORMANCE LEVEL
55741-001	STANDARD (EUTECTIC)	PERFORMANCE-BASED PLATING, QUALIFIED TO MEET THE REQUIREMENTS OF FCI PRODUCT SPECIFICATION GS-12-192, INCLUDING TELCORDIA CENTRAL OFFICE
55741-001LF	LEADFREE	
55741-201	STANDARD (EUTECTIC)	
55741-201LF	LEADFREE	

Au over Ni

NOTES:

- ① MATERIAL:
HOUSING: LCP
CONTACT: COPPER ALLOY
PLATING (CONTACT): Au OVER Ni.
UL RATING: 94 V-0
SOLDER BALL: (SEE TABLE) EUTECTIC SnPb OR LEAD FREE 95.5 Sn/4Ag/0.5Cu.
- ② SOLDER BALLS WILL NOT BE PERFECT SPHERICAL SHAPE DUE TO REFLOW ATTACHMENT.
- ③ MATED HEIGHT EFFECTED BY CUSTOMERS' PCB PAD SIZE, PLATING, SOLDER REFLOW PROFILE & SOLDER PASTE.
- ④ CONTACTS IN ROWS A,C,E,G,J,K,M,P,R AND T ARE SINGLE BEAM CONTACTS, USED AS GROUND PINS.
(NOTE: CONTACTS IN ROWS J & K ARE TIED TOGETHER [COMMONED])
- ⑤ CONTACTS IN ROWS B,D,F,H,L,N,O AND S ARE DUAL BEAM CONTACTS, TYPICALLY USED AS SIGNAL PINS.

NOTES:

- ⑥ SPECIFIED POSITIONAL TOLERANCE DEFINES PAD TO PAD LOCATION WITHIN LAND PATTERN. POSITIONAL TOLERANCE OF LAND PATTERN TO FUDICIAL MARKS OR PCB DATUMS SHALL BE DEFINED BY CUSTOMER. FOR RECOMMENDED PRODUCT APPLICATION AND PCB DESIGN DETAILS, SEE DOC. NO. GS-20-016.
- ⑦ FOR PROPER APPLICATION FOLLOW FCI APPLICATION SPECIFICATION GS-20-033. LEAD FREE SOLDER BALLS WILL NOT SOLDER PROPERLY IN A LEADED SOLDER PROCESS DUE TO A HIGHER REFLOW TEMPERATURE. LEADFREE PRODUCT IS THEREFORE NOT BACKWARDS COMPATIBLE WITH LEADED OR SOME SOLDERING APPLICATIONS. REFERENCE FCI APPLICATION SPECIFICATION.
- ⑧ THIS PRODUCT MEETS THE EUROPEAN UNION DIRECTIVES AND OTHER COUNTRY REGULATIONS AS DESCRIBED IN GS-22-008. PRODUCT MEETING THIS DIRECTIVE IS IDENTIFIED IN THE CODE NUMBER MARKED ON EACH PART BY HAVING AN "X" IN THE SEVENTH CHARACTER POSITION.



Copyright FCI.

spec ref	-			dr	Bill Lin	2010/02/02	projection		size	A4	scale	21:10	
tolerance std	TOLERANCES UNLESS OTHERWISE SPECIFIED			eng	Nickor Zuo	2011/06/09		mm	ec n no	ELX-DG-003943-1			
ASME Y14.5				chr	Alex Cao	2011/06/24			product family	GIG-Array	rel level	Released	
surface	linear	0.X	±0.30	appr	Pei-Ming Zheng	2011/06/27	GIG-Array			dwg no	55741	rev	F
		0.XX	±0.10				15mm RECP. ASSY. 200 SIG. POS.			Product - Customer Drw			
		0.XXX	±0.05										cat. no.
	angular	0°	±2°	www.fci.com						sheet 5 of 5			

Prod File - REV C - 2009-08-09