

## Excellent Integrated System Limited

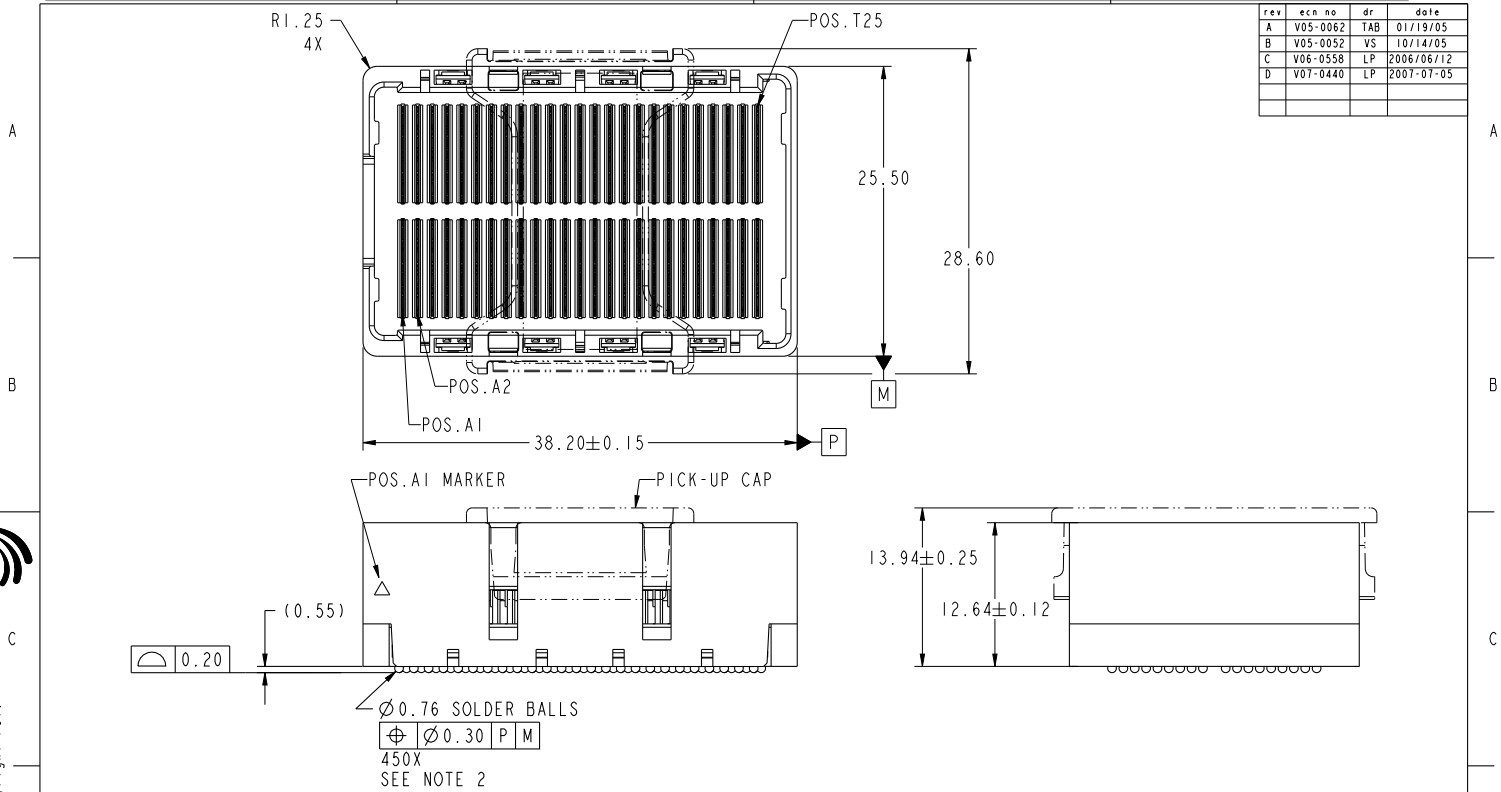
Stocking Distributor

Click to view price, real time Inventory, Delivery & Lifecycle Information:

[FCI](#)  
[10030626-001LF](#)

For any questions, you can email us directly:  
[sales@integrated-circuit.com](mailto:sales@integrated-circuit.com)

rev	ech no	dr	date
A	V05-0062	TAB	01/19/05
B	V05-0052	VS	10/14/05
C	V06-0558	LP	2006/06/12
D	V07-0440	LP	2007-07-05



spec ref	-	dr	Louis Ng	2010/1/01	projection		size	A4	scale	1:1
tolerance std	ASME Y14.5	eng	Nickor Zuo	2011/06/13	product family	GIG-Array	ecn no	ELX-DG-003943-1	rel level	Released
TOLERANCES UNLESS OTHERWISE SPECIFIED		chr	Alex Cao	2011/06/24						
surface	linear	appr	Pei-Ming Zheng	2011/06/27	GIG-Array		rel level	Released	rev	E
	0.X				GIG-Array		dwg no	10030626		
	0.XX				13mm PLUG ASSY. 200 SIG. POS.					
	0.XXX				www.fci.com					
	angular				cat. no.					
	0°				Product - Customer Drw					
	±2°				sheet 1 of 5					

Prod File - REV C - 2009-08-09

1

2

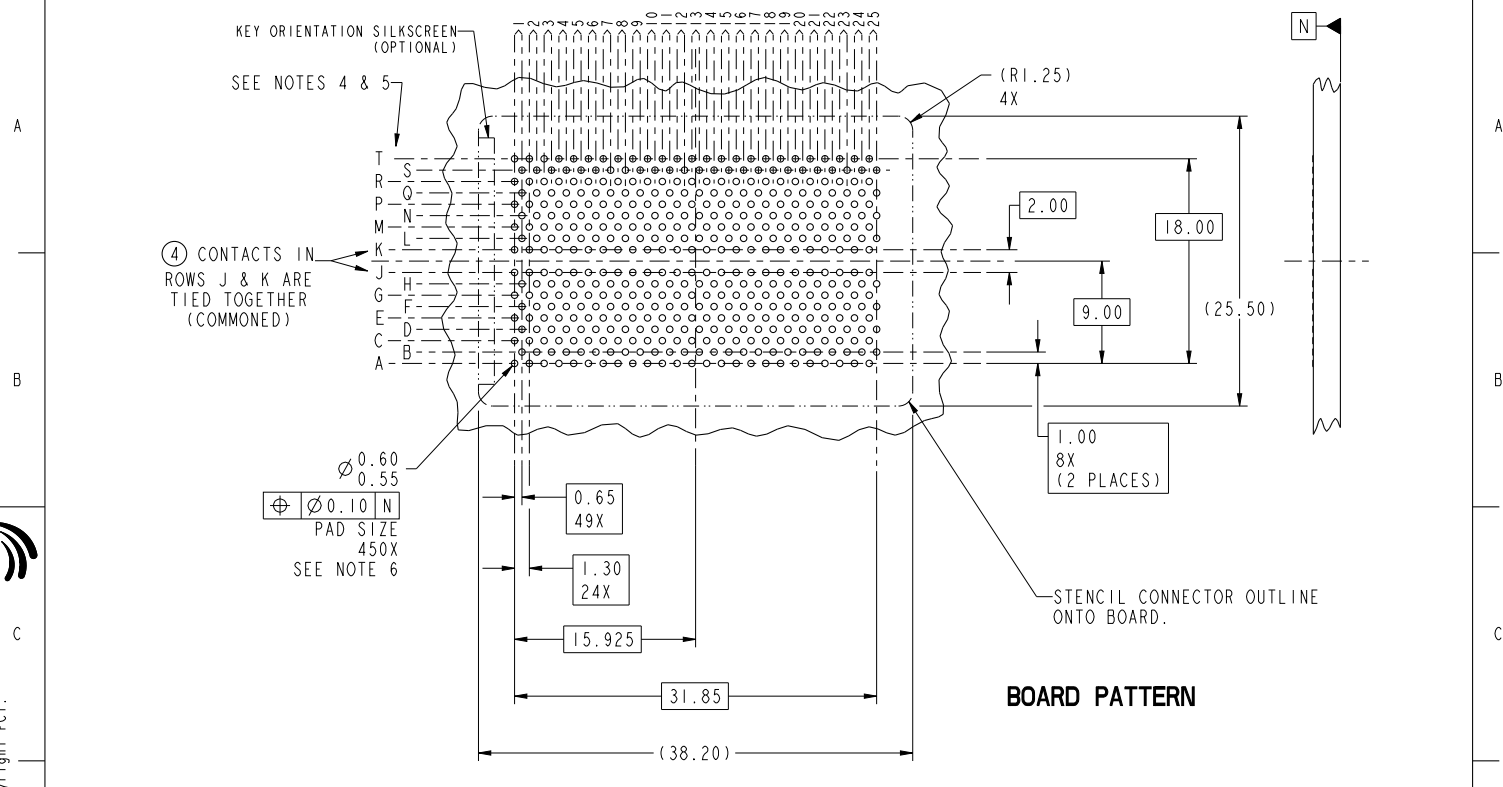
3

PDS: Rev :E

STATUS:Released

Printed: Jun 27, 2011

Copyright FCI.



**BOARD PATTERN**

spec ref	-			dr	Louis Ng	2010/1/01	projection	mm	size	A4	scale	1:1
tolerance std	ASME Y14.5			eng	Nickor Zuo	2011/06/13			ec n no	ELX-DG-003943-1		
TOLERANCES UNLESS OTHERWISE SPECIFIED			chr	Alex Cao	2011/06/24	product family				GIG-Array	rel level	Released
surface	linear	0.X	±0.30	appr	Pei-Ming Zheng	2011/06/27	GIG-Array		cat. no.	10030626		
		0.XX	±0.10				13mm PLUG ASSY. 200 SIG. POS.		rev	E		
		0.XXX	±0.05				Product - Customer Drw		sheet 2 of 5			
	angular	0°	±2°									



Copyright FCI.

Print File: ... REV C - 2009-08-09

A

B

C

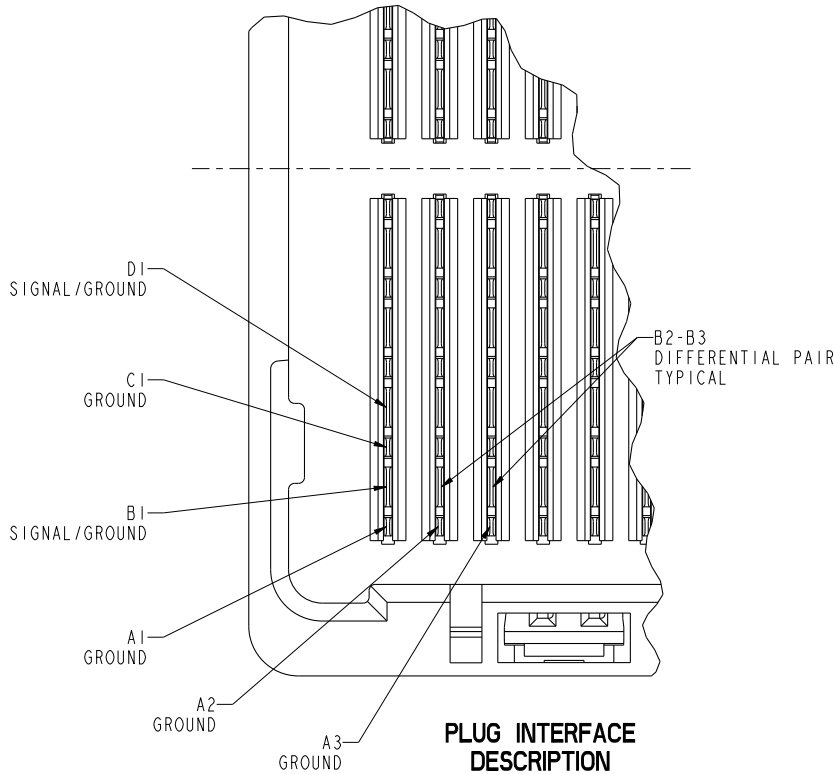
D

A

B

C

D



**PLUG INTERFACE DESCRIPTION**

spec ref	-			dr	Louis Ng	2010/1/01	projection	mm		size	A4	scale	1:1	
tolerance std	ASME Y14.5			eng	Nickor Zuo	2011/06/13				ec n no		ELX-DG-003943-1		
TOLERANCES UNLESS OTHERWISE SPECIFIED			chr	Alex Cao	2011/06/24	product family				GIG-Array		rel level		Released
surface		linear	0.X	±0.30		<b>FCI</b> title GIG-Array 13mm PLUG ASSY. 200 SIG. POS.	dwg no		10030626		rev		E	
			0.XX	±0.10			cat. no.		Product - Customer Drw		sheet 3 of 5			
		angular	0°	±2°			www.fci.com							

Prod File - REV C - 2009-08-09

1

2

3

PDS: Rev :E

STATUS:Released

Printed: Jun 27, 2011



Copyright FCI.

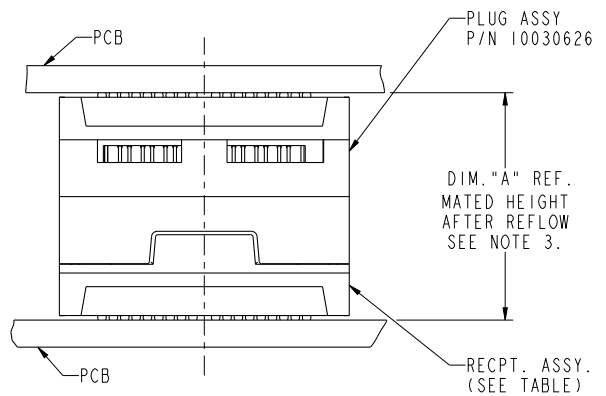
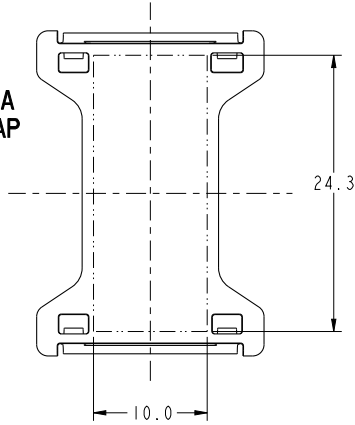
A

B

C

D

FLAT AREA  
PICK-UP CAP



**END VIEW OF MATED CONNECTORS**

DIM. "A"	RECPT. ASSY. P/N
18	55740
23	10026010
28	55741

NOT TOOLED

spec ref	-	dr	Louis Ng	2010/11/01	projection	mm	size	A4	scale	1:1													
tolerance std	ASME Y14.5	eng	Nickor Zuo	2011/06/13			ecn no	ELX-DG-003943-1	rel level	Released													
TOLERANCES UNLESS OTHERWISE SPECIFIED		chr	Alex Cao	2011/06/24							product family	GIG-Array											
surface	<table border="1"> <tr> <td>linear</td> <td>0.X</td> <td>±0.30</td> </tr> <tr> <td></td> <td>0.XX</td> <td>±0.10</td> </tr> <tr> <td></td> <td>0.XXX</td> <td>±0.05</td> </tr> <tr> <td>angular</td> <td>0°</td> <td>±2°</td> </tr> </table>	linear	0.X	±0.30		0.XX	±0.10		0.XXX	±0.05	angular	0°	±2°	appr	Pei-Ming Zheng	2011/06/27			title	GIG-Array		dwg no 10030626	rev E
linear	0.X	±0.30																					
	0.XX	±0.10																					
	0.XXX	±0.05																					
angular	0°	±2°																					
-		www.fci.com	cat. no.	Product - Customer Drw		sheet 4 of 5																	

Prod File - REC - 2009-06-09

1

2

3

PDS: Rev :E

STATUS:Released

Printed: Jun 27, 2011

PRODUCT NUMBER	SOLDER BALL COMPOSITION	CONTACT PLATING PERFORMANCE LEVEL
10030626-001	STANDARD (EUTECTIC)	PERFORMANCE-BASED PLATING, QUALIFIED TO MEET THE REQUIREMENTS OF FCI PRODUCT SPECIFICATION GS-12-192, INCLUDING TELCORDIA CENTRAL OFFICE
10030626-001LF	LEADFREE	
10030626-201	STANDARD (EUTECTIC)	
10030626-201LF	LEADFREE	

Au over Ni

NOTES:

- ① MATERIAL:  
HOUSING: LCP  
CONTACT: COPPER ALLOY  
PLATING (CONTACT): Au OVER Ni.  
UL RATING: 94 V-0  
SOLDER BALL: (SEE TABLE) EUTECTIC SnPb OR LEADFREE 95.5 Sn/4Ag/0.5Cu
- ② SOLDER BALLS WILL NOT BE PERFECT SPHERICAL SHAPE DUE TO REFLOW ATTACHMENT.
- ③ MATED HEIGHT EFFECTED BY CUSTOMERS' PCB PAD SIZE, PLATING, SOLDER REFLOW PROFILE & SOLDER PASTE.
- ④ CONTACTS IN ROWS A,C,E,G,J,K,M,P,R AND T ARE SINGLE BEAM CONTACTS, TYPICALLY USED AS GROUND PINS. (NOTE: CONTACTS IN ROWS J & K ARE TIED TOGETHER [COMMONED])
- ⑤ CONTACTS IN ROWS B,D,F,H,L,N,O AND S ARE DUAL BEAM CONTACTS, TYPICALLY USED AS SIGNAL PINS.

NOTES CONTINUED

- ⑥ SPECIFIED POSITIONAL TOLERANCE DEFINES PAD TO PAD LOCATION WITHIN LAND PATTERN. POSITIONAL TOLERANCE OF LAND PATTERN TO FUDICIAL MARKS OR PCB DATUMS SHALL BE DEFINED BY CUSTOMER. FOR RECOMMENDED PRODUCT APPLICATION AND PCB DESIGN DETAILS, SEE DOC. NO. GS-20-016.
- ⑦ FOR PROPER APPLICATION FOLLOW FCI APPLICATION SPECIFICATION GS-20-033 LEADFREE SOLDER BALLS WILL NOT SOLDER PROPERLY IN A LEADED SOLDER PROCESS DUE TO A HIGHER REFLOW TEMPERATURE. LEADFREE PRODUCT IS THEREFORE NOT BACKWARDS COMPATIBLE WITH LEADED OR SOME SOLDERING APPLICATIONS. REFERENCE FCI APPLICATION SPECIFICATION.
- ⑧ THIS PRODUCT MEETS THE EUROPEAN UNION DIRECTIVES AND OTHER COUNTRY REGULATIONS AS DESCRIBED IN GS-22-008. PRODUCT MEETING WITH THIS DIRECTIVE IS IDENTIFIED IN THE LOT CODE NUMBER MARKED ON EACH PART BY HAVING AN "X" IN THE SEVENTH CHARACTER POSITION.



Copyright FCI.

spec ref	-			dr	Louis Ng	2010/1/01	projection	mm	size	A4	scale	1:1	
tolerance std	ASME Y14.5			eng	Nickor Zuo	2011/06/13		mm	ec n no	ELX-DG-003943-1			
TOLERANCES UNLESS OTHERWISE SPECIFIED				chr	Alex Cao	2011/06/24				product family	GIG-Array	rel level	Released
surface	linear	0.X	±0.30	appr	Pei-Ming Zheng	2011/06/27	GIG-Array			cat. no.	10030626	rev	E
		0.XX	±0.10				13mm PLUG ASSY. 200 SIG. POS.			Product - Customer Drw			
		0.XXX	±0.05										www.fci.com
	angular	0°	±2°										

Print File - REV C - 2009-08-09