

Excellent Integrated System Limited

Stocking Distributor

Click to view price, real time Inventory, Delivery & Lifecycle Information:

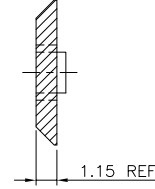
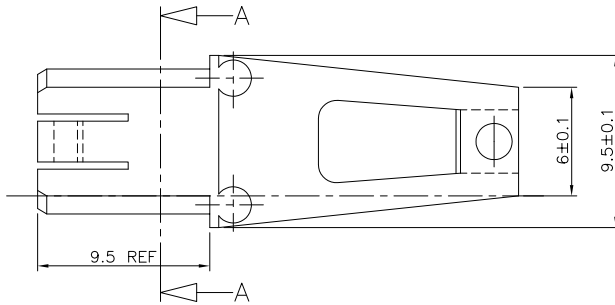
[FCI](#)

[65182-001LF](#)

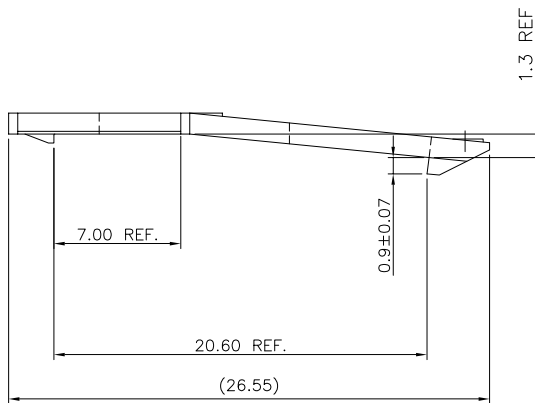
For any questions, you can email us directly:

sales@integrated-circuit.com

PRODUCT NUMBER	MATERIAL	COLOR	FLAME RETARDANT
65182-001	THERMOPLASTIC POLYESTER, 30% G.F.	GREY	UL-94-V0



SECTION A-A



NOTES:-

1. THIS PRODUCT MEETS EUROPEAN UNION DIRECTIVES AND OTHER COUNTRY REGULATIONS AS DESCRIBED IN GS-22-008.
2. LEADFREE OR RoHS DIRECTIVE LABELLING TO BE PROVIDED AS PER GS-14-920.
3. " LF " SUFFIX TO PRODUCT NUMBER FOR RoHS COMPATIBLE/ LEADFREE VERSION.
4. PARTS WITH AND WITHOUT "LF " SUFFIX ARE FORM-FIT AND FUNCTIONALLY IDENTICAL. " LF " SUFFIX PROVIDED FOR PART NUMBER STANDARDISATION OF PART THAT MEETS RoHS REQUIREMENTS.

mat'l. code	see table	surface	ISO 1302	tolerance	ISO 406	ISO 101	projection	product family
ltr	ecn no	dr	date	tolerances unless otherwise specified				title
D	H00418	MI	1990-09-07	angles	linear		mm	LOCKING LATCH
E	H20708	MI	1992-11-03				scale -	
F	F10129	VB	2001-02-09					
G	105-0042	MNI	2005-03-17	dr	M.Vascher	1990-08-31		dwg no
H	105-0248	MNI	2005-11-22	eng				sheet 1 of 1
J	106-0086	MNI	2006-06-01	chr	Rakhee George	2006-06-01		size
				appd	Rakhee George	2006-06-01		A3
sheet index	revision	J						type
	sheet	1						CUSTOMER Drawing