

## Excellent Integrated System Limited

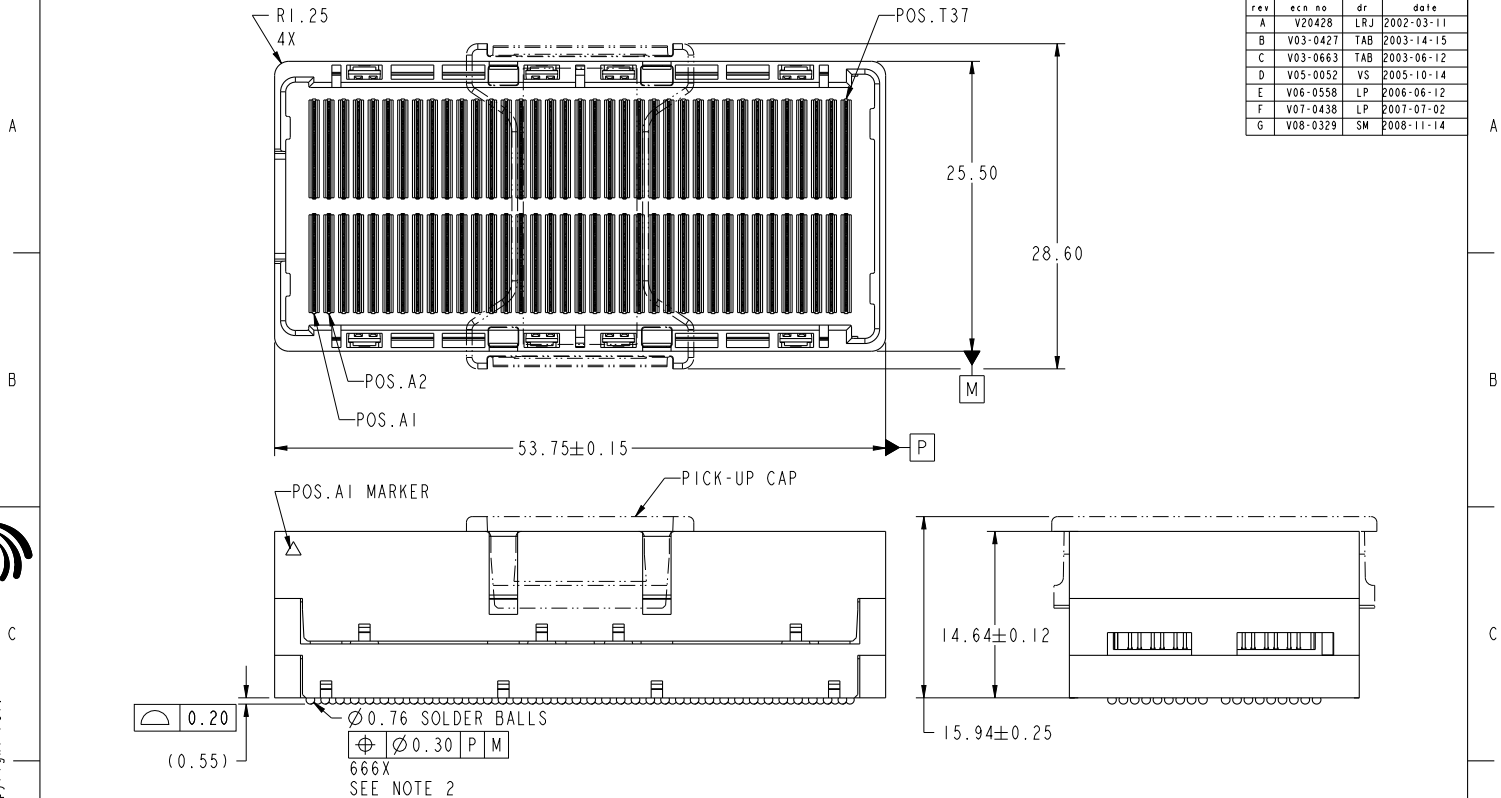
Stocking Distributor

Click to view price, real time Inventory, Delivery & Lifecycle Information:

[FCI](#)  
[55700-001](#)

For any questions, you can email us directly:  
[sales@integrated-circuit.com](mailto:sales@integrated-circuit.com)

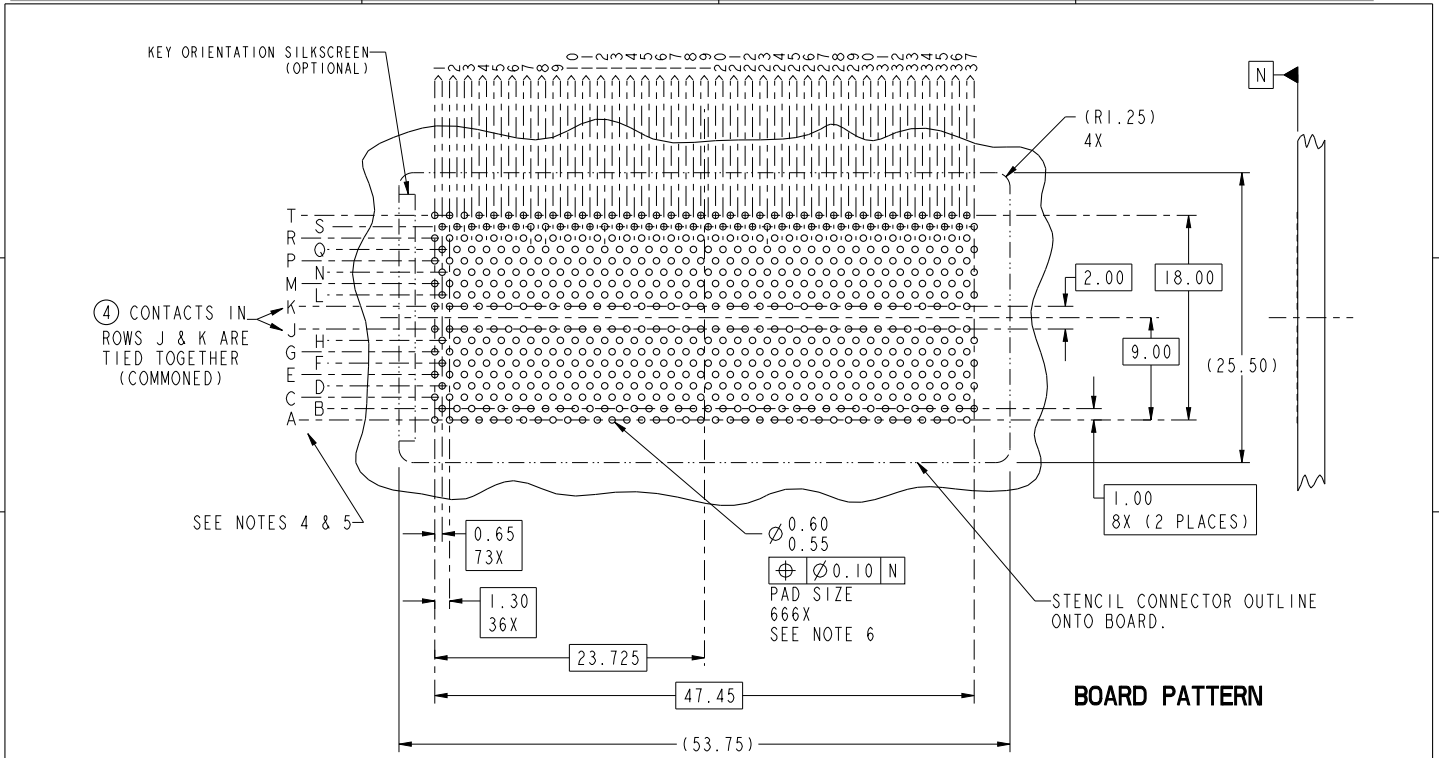
rev	ecn no	dr	date
A	V20428	LRJ	2002-03-11
B	V03-0427	TAB	2003-14-15
C	V03-0663	TAB	2003-06-12
D	V05-0052	VS	2005-10-14
E	V06-0558	LP	2006-06-12
F	V07-0438	LP	2007-07-02
G	V08-0329	SM	2008-11-14



Copyright FCI.

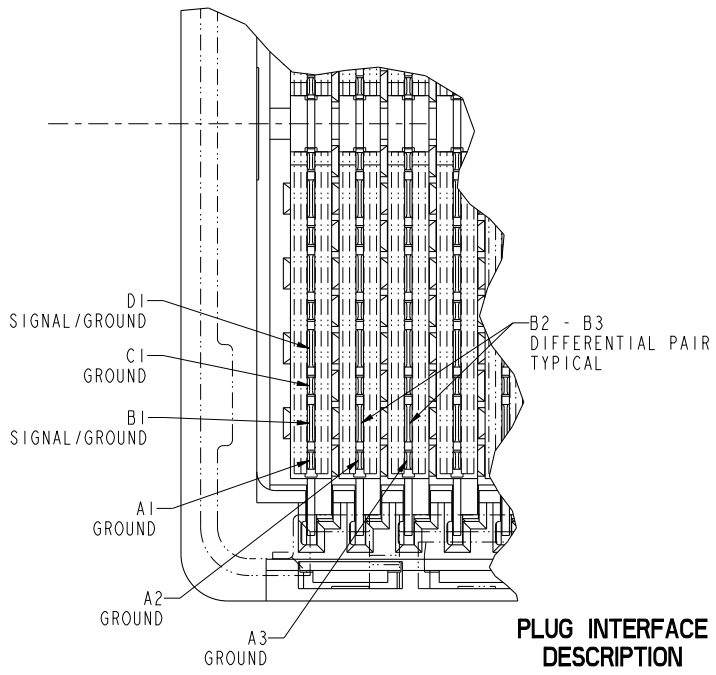
spec ref	-	dr	Bill Lin	2010/02/02	projection		size	A4	scale	1:10
tolerance std	ASME Y14.5	eng	Nickor Zuo	2011/06/02	product family	GIG-Array	rel level	ELX-DG-003943-1	Released	rev
TOLERANCES UNLESS OTHERWISE SPECIFIED		chr	Alex Cao	2011/06/24						
surface	linear	0.X	±0.30	 <b>GIG-Array</b> 15mm PLUG ASSY. 296 SIG. POS. www.fci.com	Product - Customer Drw	sheet 1 of 5				
		0.XX	±0.10							
		0.XXX	±0.05							
	angular	0°	±2°							

Print File - REV C - 2009-08-09



spec ref	-	dr	Bill Lin	2010/02/02	projection	mm	size	A4	scale	1:10
tolerance std	ASME Y14.5	eng	Nickor Zuo	2011/06/02			ec n no	ELX-DG-003943-1		
TOLERANCES UNLESS OTHERWISE SPECIFIED		chr	Alex Cao	2011/06/24				product family	GIG-Array	rel level
surface	linear	appr	Pei-Ming Zheng	2011/06/27	GIG-Array		dwg no	55700		rev
	angular			15mm PLUG ASSY. 296 SIG. POS.				Product - Customer Drw		sheet 2 of 5

Copyright FCI.



**PLUG INTERFACE DESCRIPTION**

SCALE 7:1



Copyright FCI.

spec ref		-		dr	Bill Lin	2010/02/02	projection	mm		size	A4	scale	37:5																		
tolerance std		ASME Y14.5		eng	Nickor Zuo	2011/06/02				ec n no		ELX-DG-003943-1																			
TOLERANCES UNLESS OTHERWISE SPECIFIED		-		chr	Alex Cao	2011/06/24				product family		GIG-Array		rel level		Released															
surface		<table border="1"> <tr> <td>linear</td> <td>0.X</td> <td>±0.30</td> </tr> <tr> <td></td> <td>0.XX</td> <td>±0.10</td> </tr> <tr> <td></td> <td>0.XXX</td> <td>±0.05</td> </tr> <tr> <td>angular</td> <td>0°</td> <td>±2°</td> </tr> </table>		linear	0.X	±0.30		0.XX	±0.10		0.XXX	±0.05	angular	0°	±2°			<table border="1"> <tr> <td>title</td> <td>GIG-Array</td> </tr> <tr> <td>desc</td> <td>15mm PLUG ASSY. 296 SIG. POS.</td> </tr> </table>		title	GIG-Array	desc	15mm PLUG ASSY. 296 SIG. POS.	<table border="1"> <tr> <td>dwg no</td> <td>55700</td> </tr> </table>		dwg no	55700	<table border="1"> <tr> <td>rev</td> <td>H</td> </tr> </table>		rev	H
linear	0.X	±0.30																													
	0.XX	±0.10																													
	0.XXX	±0.05																													
angular	0°	±2°																													
title	GIG-Array																														
desc	15mm PLUG ASSY. 296 SIG. POS.																														
dwg no	55700																														
rev	H																														
-		www.fci.com		cat. no.		Product - Customer Drw		sheet 3 of 5																							

Print File - REV C - 2009-06-09

1

2

3

PDS: Rev :H

STATUS:Released

Printed: Jun 27, 2011

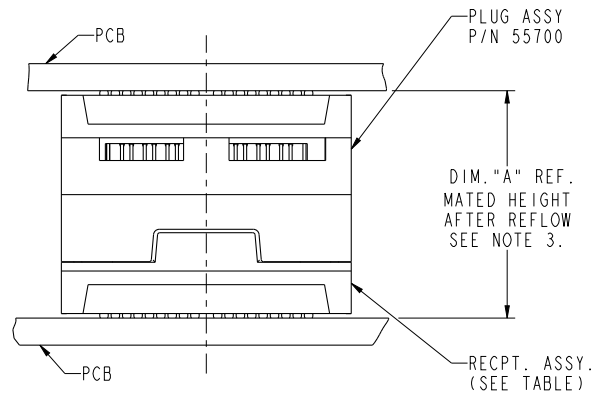
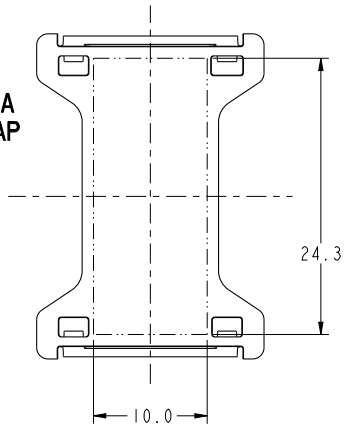
A

B

C

D

FLAT AREA  
PICK-UP CAP



END VIEW OF MATED CONNECTORS

DIM. "A"	RECPT. ASSY. P/N
20	55701
30	55733

Copyright FCI.

spec ref	-			dr	Bill Lin	2010/02/02	projection	mm	size	A4	scale	1:10
tolerance std	ASME Y14.5			eng	Nickor Zuo	2011/06/02			ecn no	ELX-DG-003943-1		
TOLERANCES UNLESS OTHERWISE SPECIFIED			chr	Alex Cao	2011/06/24	product family				GIG-Array	rel level	Released
surface		linear	0.X	±0.30		<b>www.fci.com</b>	title GIG-Array 15mm PLUG ASSY. 296 SIG. POS.	product family GIG-Array	rel level Released	cat. no. Product - Customer Drw	dwg no 55700	rev H
			0.XX	±0.10								
			0.XXX	±0.05								
		angular	0°	±2°				sheet 4 of 5				

Prod File - REV C - 2009-06-09

1

2

3

PDS: Rev :H

STATUS:Released

Printed: Jun 27, 2011

PRODUCT NUMBER	SOLDER BALL COMPOSITION	CONTACT PLATING PERFORMANCE LEVEL
55700-001	STANDARD (EUTECTIC)	PERFORMANCE-BASED PLATING, QUALIFIED TO MEET THE REQUIREMENTS OF FCI PRODUCT SPECIFICATION GS-12-192, INCLUDING TELCORDIA CENTRAL OFFICE
55700-001LF	LEADFREE	
55700-201	STANDARD (EUTECTIC)	
55700-201LF	LEADFREE	

Au over Ni

NOTES:

- ① MATERIAL:  
HOUSING: LCP  
CONTACT: COPPER ALLOY  
PLATING (CONTACT): Au OVER Ni.  
UL RATING: 94 V-0  
SOLDER BALL: (SEE TABLE) EUTECTIC SnPb OR LEADFREE 95.5 Sn/4Ag/0.5Cu
- ② SOLDER BALLS WILL NOT BE PERFECT SPHERICAL SHAPE DUE TO REFLOW ATTACHMENT.
- ③ MATED HEIGHT EFFECTED BY CUSTOMERS' PCB PAD SIZE, PLATING, SOLDER REFLOW PROFILE & SOLDER PASTE.
- ④ CONTACTS IN ROWS A,C,E,G,J,K,M,P,R AND T ARE SINGLE BEAM CONTACTS, TYPICALLY USED AS GROUND PINS.  
(NOTE: CONTACTS IN ROWS J & K ARE TIED TOGETHER [COMMONED])
- ⑤ CONTACTS IN ROWS B,D,F,H,L,N,Q AND S ARE DUAL BEAM CONTACTS, TYPICALLY USED AS SIGNAL PINS.

NOTES CONTINUED

- ⑥ SPECIFIED POSITIONAL TOLERANCE DEFINES PAD TO PAD LOCATION WITHIN LAND PATTERN. POSITIONAL TOLERANCE OF LAND PATTERN TO FUDICIAL MARKS OR PCB DATUMS SHALL BE DEFINED BY CUSTOMER. FOR RECOMMENDED PRODUCT APPLICATION AND PCB DESIGN DETAILS, SEE DOC. NO. GS-20-016.
- ⑦ FOR PROPER APPLICATION FOLLOW FCI APPLICATION SPECIFICATION GS-20-033 LEADFREE SOLDER BALLS WILL NOT SOLDER PROPERLY IN A LEADED SOLDER PROCESS DUE TO A HIGHER REFLOW TEMPERATURE, LEADFREE PRODUCT IS THEREFORE NOT BACKWARDS COMPATIBLE WITH LEADED OR SOME SOLDERING APPLICATIONS. REFERENCE FCI APPLICATION SPECIFICATION.
- ⑧ THIS PRODUCT MEETS THE EUROPEAN UNION DIRECTIVES AND OTHER COUNTRY REGULATIONS AS DESCRIBED IN GS-22-008. PRODUCT MEETING WITH THIS DIRECTIVE IS IDENTIFIED IN THE LOT CODE NUMBER MARKED ON EACH PART BY HAVING AN "X" IN THE SEVENTH CHARACTER POSITION.

spec ref	-			dr	Bill Lin	2010/02/02	projection		size	A4	scale	11:10	
tolerance std	ASME Y14.5			eng	Nickor Zuo	2011/06/02		mm	ec n no	ELX-DG-003943-1			
TOLERANCES UNLESS OTHERWISE SPECIFIED				chr	Alex Cao	2011/06/24			product family	GIG-Array	rel level	Released	
surface	linear	0.X	±0.30	appr	Pei-Ming Zheng	2011/06/27			title	GIG-Array	dwg no	55700	rev
		0.XX	±0.10				15mm PLUG ASSY. 296 SIG. POS.						
		0.XXX	±0.05	www.fci.com			cat. no.	Product - Customer Drw		sheet 5 of 5			
	angular	0°	±2°										

Print File - REV C - 2009-06-09

1

2

3

PDS: Rev :H

STATUS:Released

Printed: Jun 27, 2011



Copyright FCI.