

Excellent Integrated System Limited

Stocking Distributor

Click to view price, real time Inventory, Delivery & Lifecycle Information:

[FCI](#)
[51940-068](#)

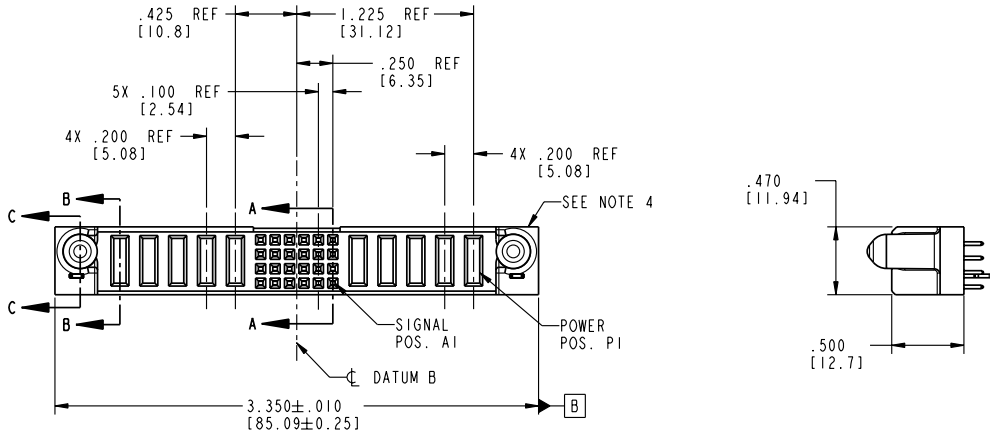
For any questions, you can email us directly:
sales@integrated-circuit.com

Tous droits strictement réservés. Reproduction ou communication, o des liens interdite sous quelque forme que ce soit sans autorisation écrite du propriétaire. Propriété de c FCI. Droits de reproduction FCI.

FCI

All rights strictly reserved. Reproduction or issue to third parties in any form whatever is not permitted without written authority from the proprietor. Property of FCI. Copyright FCI.

PRODUCT NO.	ROWS	POWER					SIGNAL					POWER							
		E2	P10	P9	P8	P7	P6	6	5	4	3	2	1	P5	P4	P3	P2	P1	E1
51940-068	D C B A																		



CODE	DIM "M" MATING LENGTH	CONTACT TYPE
E	N/A [N/A]	SIGNAL
PA	.042 [1.07]	POWER
HA	N/A [N/A]	HOLD-DOWN

mat'l code				SEE NOTE 2		tolerances unless otherwise specified		CUSTOMER	
lfr	ecn no.	dr	date	linear	$.XX \pm .01/0$	$Y \pm 0.3$	COPY		www.fciconnect.com
A	V03-1267	TAB	12/01/03	angles	$.XXX \pm .005/0$	$YY \pm 0.13$	projection		
				dr	T. BRUNGARD	12/01/03	INCH/MM		
				enrg	M. GRAY	12/01/03	product family		5P + 24S + 5P
				chr	M. GRAY	12/01/03	size		PwrBlade
				appd	M. GRAY	12/01/03	dwg no		code 213
				sheet index	1	2	scale		1 of 4
				revision sheet	A	A	A		51940-068

Pro/E

cage code 22526

PDM: Rev:A

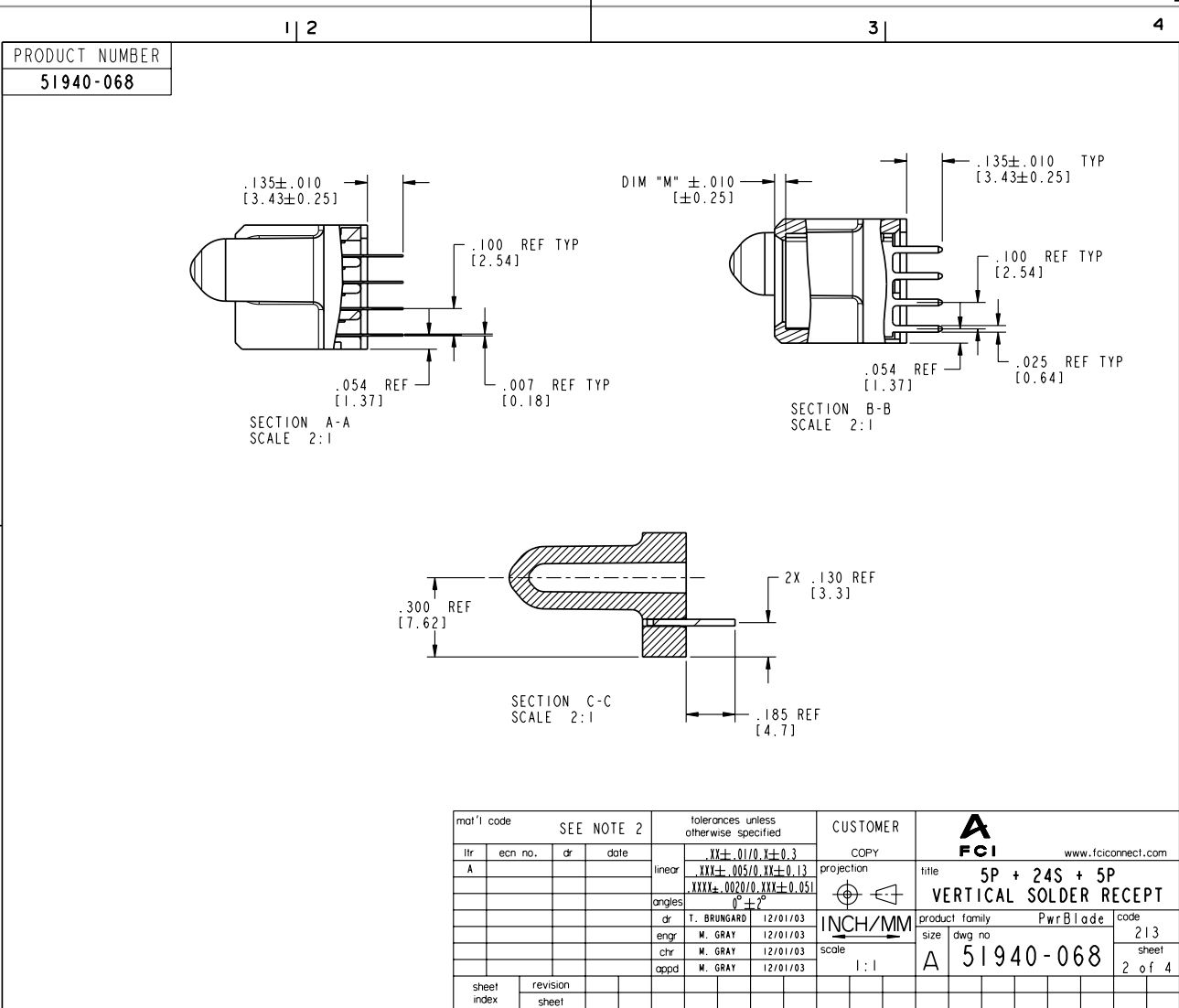
STATUS: **Released**

Printed: Dec 20, 2010

Tous droits strictement réservés. Reproduction ou communication, o des liens interdite sous quelque forme que ce soit sans autorisation écrite du propriétaire. Propriété de c FCI. Droits de reproduction FCI.

FCI

All rights strictly reserved. Reproduction or issue to third parties in any form whatever is not permitted without written authority from the proprietor. Property of FCI. Copyright FCI.

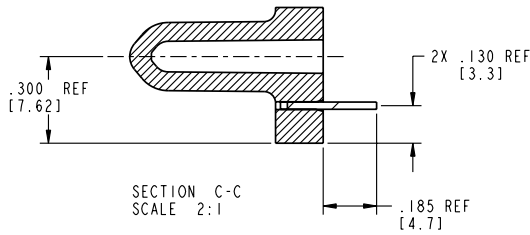
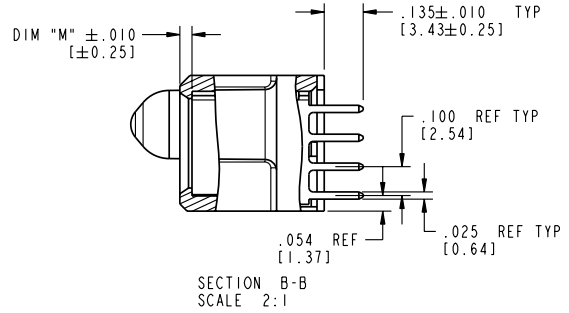
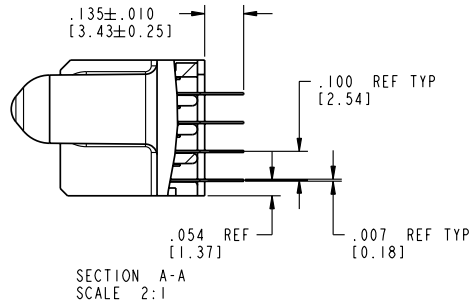


1 | 2

3 |

4

PRODUCT NUMBER
51940-068



1 | 2

3 |

4

Pro/E

cage code **22526**

PDM: Rev:A

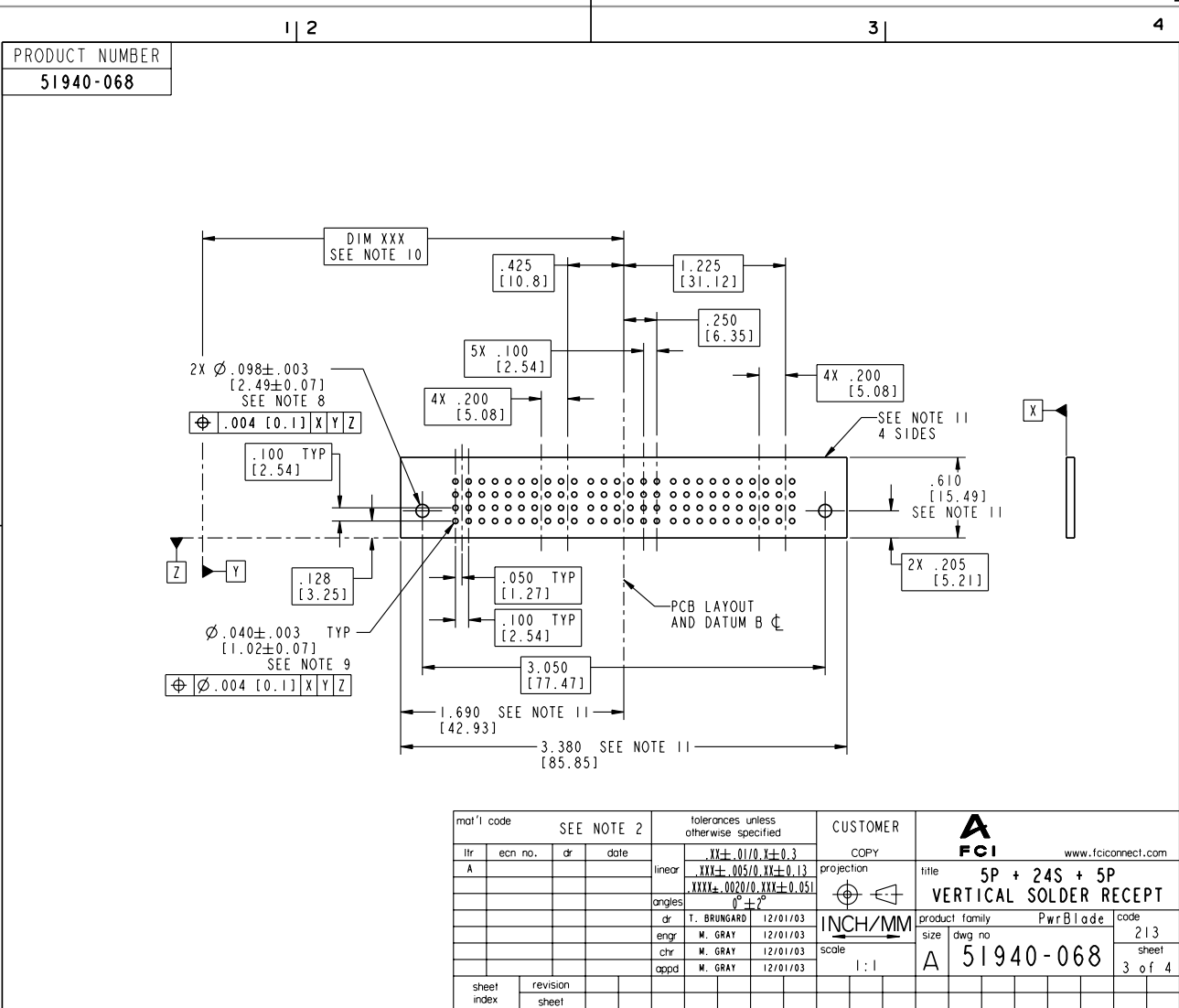
STATUS: **Released**

Printed: Dec 20, 2010

Tous droits strictement réservés. Reproduction ou communication, o des liens interdite sous quelque forme que ce soit sans autorisation écrite du propriétaire. Propriété de c FCI. Droits de reproduction FCI.

FCI

All rights strictly reserved. Reproduction or issue to third parties in any form whatever is not permitted without written authority from the proprietor. Property of FCI. Copyright FCI.



mat'l code		SEE NOTE 2		tolerances unless otherwise specified		CUSTOMER		FCI www.fciconnect.com	
lfr	ecm no.	dr	date	linear	XX±.01/0.X±0.3	projection	COPY	title	5P + 24S + 5P
A				linear	.XX±.005/0.X±0.13	projection		VERTICAL SOLDER RECEPT	
				angles	.XXX±.002/0.X±0.051	projection		product family	PwrBlade
				angles	0°±2°	projection		size	213
		dr	T. BRUNGARD	12/01/03		projection	INCH/MM	dwg no	51940-068
		enr	M. GRAY	12/01/03		projection	scale	sheet	3 of 4
		chr	M. GRAY	12/01/03		projection	1:1		
		appd	M. GRAY	12/01/03		projection			
sheet index	revision sheet							cage code	22526

Pro/E

PDM: Rev:A

STATUS:Released

Printed: Dec 20, 2010

Tous droits strictement réservés. Reproduction ou communication, o des liens interdite sous quelque forme que ce soit sans autorisation écrite du propriétaire. Propriété de c FCI. Droits de reproduction FCI.

FCI

All rights strictly reserved. Reproduction or issue to third parties in any form whatever is not permitted without written authority from the proprietor. Property of FCI. Copyright FCI.

PRODUCT NUMBER
51940-068

NOTES:

1. DIMENSIONS AND TOLERANCES ARE IN ACCORDANCE WITH ASME Y14.5M, 1994 UNLESS OTHERWISE SPECIFIED.


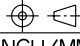
CONNECTOR NOTES:

- ② HOUSING MATERIAL: UL 94 V-0 GLASS FILLED
HIGH-TEMP THERMOPLASTIC
POWER CONTACT MATERIAL: COPPER ALLOY
SIGNAL PIN MATERIAL: COPPER ALLOY
- 3. PLATING:
SIGNAL PINS: 30u"/0.76um Au OVER 50u"/1.27um Ni
POWER CONTACTS: 50u"/1.27um Ni UNDER ALL
WITH 30u"/0.76um Au ON CONTACT AREA
AND SnPb ON PCB INTERFACE

- ④ MANUFACTURER'S NAME, P/N, AND DATE CODE TO APPEAR ON THIS SURFACE.
- 5. PRODUCT SPECIFICATION GS-12-149.
APPLICATION SPECIFICATION BUS-20-067.
- 6. PACKAGED IN TRAYS.

PCB NOTES:

- 7. ALL HOLE DIAMETERS ARE FINISHED HOLE SIZE.
- ⑧ MOUNTING HOLES, WHERE APPLICABLE, ARE UNPLATED.
- ⑨ $\varnothing .0453 \pm .0010$ [1.151 ± 0.025] DRILLED HOLES PLATED WITH .0003 [0.008] MIN SnPb OVER .001 [0.03] TO .003 [0.08] Cu PLATING TO ACHIEVE $\varnothing .040 \pm .003$ [1.02 ± .07] HOLE.
- ⑩ "DIM XXX" TO BE DETERMINED BY THE CUSTOMER.
- ⑪ CONNECTOR KEEP-OUT ZONE.

mat'l code		SEE NOTE 2		tolerances unless otherwise specified		CUSTOMER		 www.fciconnect.com	
litr	ecn no.	dr	date	linear	$.XX \pm .01/0.X \pm 0.3$ $.XXX \pm .005/0.XX \pm 0.13$ $.XXXX \pm .0020/0.XX \pm 0.051$	projection	COPY	title	5P + 24S + 5P
A				angles	$0^\circ \pm 2^\circ$			VERTICAL SOLDER RECEPT	
		dr	T. BRUNGARD	12/01/03		INCH/MM	product family	PwrBlade	code
		enrg	M. GRAY	12/01/03		scale	size	dwg no	213
		chr	M. GRAY	12/01/03		1:1	A	51940-068	sheet
		appd	M. GRAY	12/01/03					4 of 4
sheet index	revision sheet								

Pro/E

cage code 22526

PDM: Rev:A

STATUS: **Released**

Printed: Dec 20, 2010