

Excellent Integrated System Limited

Stocking Distributor

Click to view price, real time Inventory, Delivery & Lifecycle Information:

[FCI](#)
[51936-003](#)

For any questions, you can email us directly:

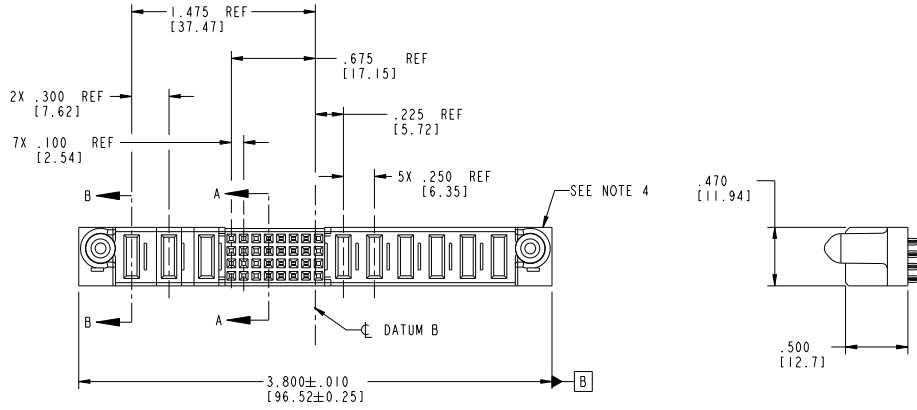
sales@integrated-circuit.com

Tous droits strictement réservés. Reproduction ou communication, en des lieux interdite sans aucune forme, que ce soit sans autorisation écrite du propriétaire. Propriété de FCI. Droits de reproduction FCI.



All rights strictly reserved. Reproduction or issue in any form whatever is not permitted without written authority from the proprietor. Property of FCI. Copyright FCI.

PRODUCT NO.	ROWS	POWER				SIGNAL								POWER						E1					
		E2	P9	P8	P7	7	6	5	4	3	2	1	P6	P5	P4	P3	P2	P1							
51936-003-- NOTE:3	D C B A					X	X	X	X	X	X	X	X	X	X	X	X	X							



CODE	DIM "M" ±.010 [0.25]		CONTACT TYPE
F	N/A	[N/A]	SIGNAL
PC	.042	[1.07]	POWER
PF	.092	[2.34]	POWER
X	OMITTED		OMITTED

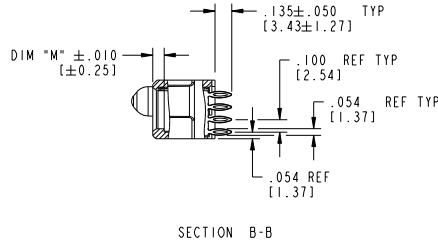
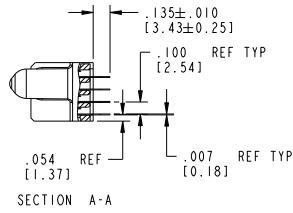
mat'l code		SEE NOTE 2	tolerances unless otherwise specified		CUSTOMER	FCI
ltr	ecm no.	dr	date	linear	projection	www.fciconnect.com
A	V20789	JWS	04-23-02	.XX±.01/0.XX±0.3	COPY	
B	0608-0273	WD	12/22/08	.XXX±.005/0.XX±0.13	INCH/MM	
				.XXX±.0020/0.XX±0.051	scale	
				0°±	1:1	
				dr J. SHAFFER 04-23-02		
				enr J. ALLISON 04-23-02		
				chr J. ALLISON 04-23-02		
				oppd J. ALLISON 04-23-02		
sheet index	revision sheet	B	B	B		
		1	2	3		
				4		

title		product family		code	
6P + 32S + 3P		PwrBlade		213	
VERTICAL PRESS FIT RECEIPT		51936-003		sheet 1 of 4	
cage code 22526					

Tous droits strictement réservés. Reproduction ou communication, en des lieux interdite sans aucune forme, que ce soit sans autorisation écrite du propriétaire. Propriété de c FCI. Droits de reproduction FCI.

All rights strictly reserved. Reproduction or issue in any form anywhere is not permitted without written authority from the proprietor. Property of FCI. Copyright FCI.

PRODUCT NUMBER
51936-003...
NOTE: 3



mat'l code		SEE NOTE 2	tolerances unless otherwise specified		CUSTOMER	FCI www.fciconnect.com	
ltr	ecm no.	dr	date	linear	COPY	title	
B				$XX \pm .01/0$ $YY \pm 0.3$	projection	6P + 32S + 3P	
				$XXX \pm .005/0$ $YY \pm 0.13$		VERTICAL PRESS FIT RECEIPT	
				angles	$0^\circ \pm 2^\circ$	product	family
				dr	J. SHAFFER 04-23-02	size	PwrBlade
				enr	J. ALLISON 04-23-02	dwg no	code
				chr	J. ALLISON 04-23-02	51936-003	213
				oppd	J. ALLISON 04-23-02	A	sheet
sheet index	revision sheet				scale		2
					1:1		

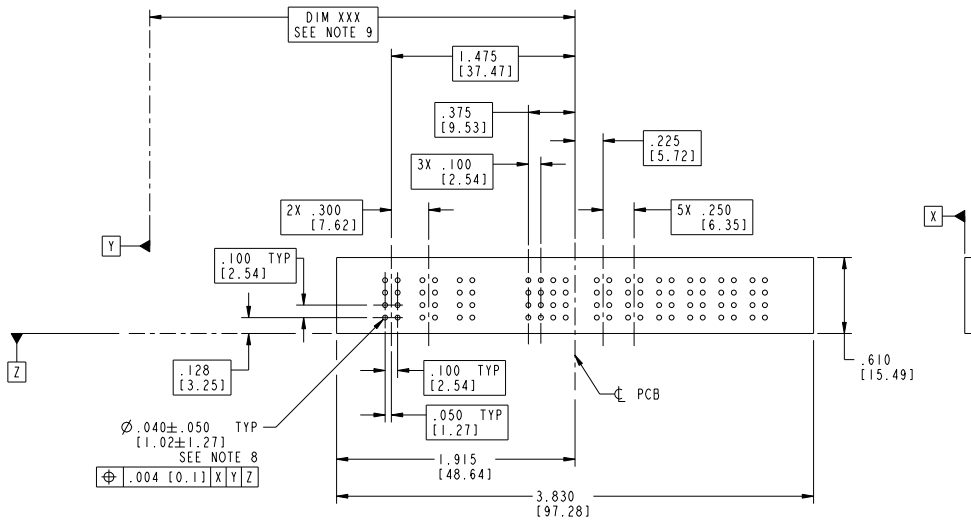
cage code 22526

Tous droits strictement réservés. Reproduction ou communication, en des lieux interdite sans aucune forme que ce soit sans autorisation écrite du propriétaire. Propriété de c FCI. Droits de reproduction FCI.



All rights strictly reserved. Reproduction or issue in any form wherever is not permitted without written authority from the proprietor. Property of FCI. Copyright FCI.

PRODUCT NUMBER
51936-003...
NOTE: 3



mat'l code		SEE NOTE 2	tolerances unless otherwise specified	CUSTOMER	FCI	www.fciconnect.com
ltr	ecm no.	dr	date	COPY	projection	title
B						6P + 32S + 3P VERTICAL PRESS FIT RECEPT
					INCH/MM	product family PwrBlade
					scale 1:1	size dwg no 51936-003
sheet index	revision sheet					code 213 sheet 3

code code 22526

Tous droits strictement réservés. Reproduction ou communication, en des lieux interdite sans aucune forme, ou de son sans autorisation écrite du propriétaire. Propriété de FCI. Droits de reproduction FCI.



All rights strictly reserved. Reproduction or issue in third parties in any form whatever is not permitted without written authority from the proprietor. Property of FCI. Copyright FCI.

PRODUCT NUMBER
 51936-003
 NOTE: 3

NOTES:

1. DIMENSIONS AND TOLERANCES ARE IN ACCORDANCE WITH ASME Y14.5M, 1994 UNLESS OTHERWISE SPECIFIED.
- CONNECTORS NOTES:
2. HOUSING MATERIAL: UL 94 V-0 GLASS FILLED HIGH TEMP THERMO PLASTIC
 POWER CONTACT MATERIAL: COPPER ALLOY
 SIGNAL PIN MATERIAL: COPPER ALLOY
3. SEE ITEM 7 & 8 IN PRINT 10064183 FOR PLATING SPEC OF 51936-003 AND 51936-003LF RESPECTIVELY.
4. "MANUFACTURER" NAME, P/N, AND DATE CODE TO APPEAR ON THIS SURFACE.
5. PRODUCT SPECIFICATION GS-12-149.
- PCB - NOTES:
6. ALL HOLE DIAMETERS ARE FINISHED HOLE SIZE.
7. HOLD DOWN THROUGH HOLES ARE UNPLATED.
8. $\varnothing .0453 \pm 0.0010$ [1.151 \pm 0.025] DRILLED HOLES PLATED WITH 0.0003 [0.008] MIN SnPb OVER .001 [0.03] TO .003 [0.08] Cu PLATING TO ACHIEVE $\varnothing .040 \pm .003$ [1.02 \pm .07] HOLE.
9. "DIM XXX" TO BE DETERMINED BY THE CUSTOMER.
10. A/B SYMBOL WILL BE NEXT TO ANY DIMENSION, VIEW, OR NOTE WHICH HAS BEEN MODIFIED WITH THE CURRENT DRAWING REVISION.

mat'l code		SEE NOTE 2	tolerances unless otherwise specified	CUSTOMER	FCI www.fciconnect.com	
ltr	ecm no.	dr	date	linear	projection	title
B				$XX \pm .01/0$ $XY \pm 0.13$ $XYZ \pm .005/0$ $XYZ \pm 0.051$		6P + 32S + 3P VERTICAL PRESS FIT RECEIPT
				angles		product family PwrBlade code 213
				dr	J. SHAFFER 04-23-02	size
				engr	J. ALLISON 04-23-02	dwg no
				chr	J. ALLISON 04-23-02	51936-003
				oppd	J. ALLISON 04-23-02	sheet 4
sheet index	revision sheet					

cage code 22526