

## Excellent Integrated System Limited

Stocking Distributor

Click to view price, real time Inventory, Delivery & Lifecycle Information:

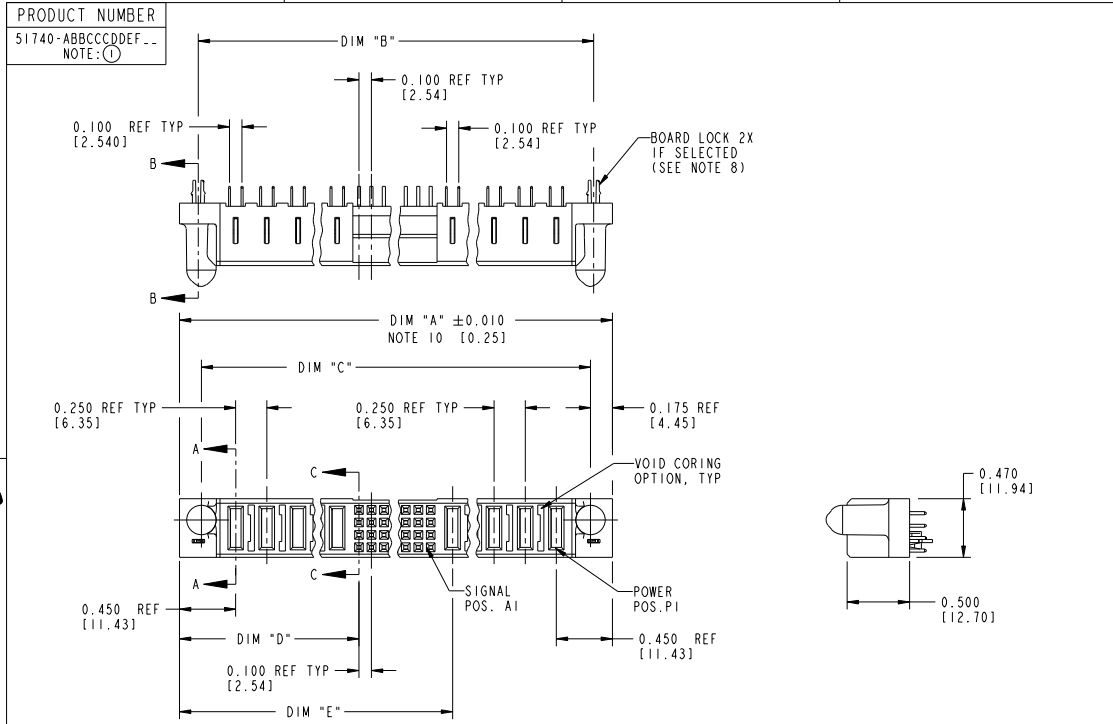
[FCI](#)  
[51740-10602406AA](#)

For any questions, you can email us directly:  
[sales@integrated-circuit.com](mailto:sales@integrated-circuit.com)

Tous droits strictement réservés. Reproduction ou communication de ces lignes infidèle sans aucune forme que ce soit sans autorisation écrite du propriétaire. Propriété de c FCI. Droits de reproduction FCI.



All rights strictly reserved. Reproduction or issue in any form without written authority from the proprietor. Property of FCI. Copyright FCI.



| mat'l code  |                |       |          | SEE NOTE 2 | tolerances unless otherwise specified | CUSTOMER   | FCI                                   |
|-------------|----------------|-------|----------|------------|---------------------------------------|------------|---------------------------------------|
| lfr         | ecm no.        | dr    | date     |            | .XX±.01/0.XX±0.3                      | COPY       | www.fciconnect.com                    |
| K           | DG05-0132      | SJ    | 06/06/05 | linear     | .XXX±.005/0.XX±0.13                   | projection | title VERTICAL RECEPTACLE #/GUIDE PIN |
| L           | DG05-0153      | SJ    | 06/10/05 |            | .XXX±.0020/.XXX±.051                  | INCH/MM    | POWER / SIGNAL / POWER                |
| M           | DG05-0485      | GUOJM | 11/21/05 | angles     | 0°±2°                                 | scale 1:1  | product family PwrBlade code 213      |
| N           | DG06-0362      | JULIA | 08/30/06 | dr         | D. EATON 05-25-99                     |            | size dwg no 51740 sheet 1 of 3        |
| P           | DG08-0239      | JC    | 09/11/08 | enr        | RYAN TUAN 11/08/06                    |            |                                       |
| R           | DG10-0318      | AL    | 09/03/10 | chr        | J. BROWN 05-24-99                     |            |                                       |
|             |                | oppd  |          | J. BROWN   | 05-24-99                              |            |                                       |
| sheet index | revision sheet | R 1   | R 2      | R 3        |                                       |            |                                       |

Pro/E 3 cage code 22526 4

Tous droits strictement réservés. Reproduction ou communication, en des lieux interdite sans autorisation écrite du propriétaire. Property of FCI. © droits de reproduction FCI.



All rights strictly reserved. Reproduction or issue in third parties in any form without written permission is not permitted without written authority from the proprietor. Property of FCI. © Copyright FCI.

| PRODUCT NUMBER                |
|-------------------------------|
| 51740-ABBBCCDEF...<br>NOTE: ① |

| DIM     | LENGTH FORMULAS (SEE NOTE 10)  |
|---------|--|
| DIM "A" | .250 [6.35] x DD + .100 [2.54] x (CCC/4) + .250 [6.35] x BB + .650 [16.51] (NOTE 10) |
| DIM "B" | .250 [6.35] x DD + .100 [2.54] x (CCC/4) + .250 [6.35] x BB + .350 [8.89]            |
| DIM "C" | .250 [6.35] x DD + .100 [2.54] x (CCC/4) + .250 [6.35] x BB + .300 [7.62]            |
| DIM "D" | .250 [6.35] x DD + .375 [9.53]   |
| DIM "E" | .250 [6.35] x DD + .100 [2.54] x (CCC/4) + .450 [11.43]                              |
| DIM "F" | .250 [6.35] x DD + .100 [2.54] x (CCC/4) + .250 [6.35] x BB + .680 [17.27]           |
| DIM "G" | .250 [6.35] x DD + .225 [5.72]   |
| DIM "H" | .250 [6.35] x DD + .100 [2.54] x (CCC/4) + .250 [6.35]                               |

CONNECTOR NOTES

- PRODUCT NUMBER CODE:  
51740 - A BB CCC DD E F LF

NO THIS SUFFIX: 100µm/72.54µm SnPb ON PCB INTERFACE  
ADD THIS SUFFIX: 78µm/72.00µm Sn ON PCB INTERFACE  
RETENTION TO PCB (NOTE 8)  
TAIL OPTIONS (NOTE 7)  
NUMBER OF LEFT END POWER CONTACTS (NOTE 6)  
NUMBER OF SIGNAL CONTACTS (NOTE 5)  
NUMBER OF RIGHT POWER CONTACTS (NOTE 4)  
PLATING (NOTE 3)  
BASE NUMBER
  - HOUSING MATERIAL: GLASS FILLED V-0 HIGH TEMP THERMO PLASTIC.  
SIGNAL CONTACT MATERIAL: COPPER ALLOY  
POWER CONTACT MATERIAL: COPPER ALLOY
  - PLATING OPTION:  
1 - SEE PRINT 10064183 FOR PLATING SPEC OF 51740-1BBCCDEF; 51740-1BBCCDEF LF
  - RIGHT END POWER CONTACT, 01 TO 20 AVAILABLE.  
MAXIMUM OF 20 POWER CONTACTS PER CONNECTOR.
  - SIGNAL CONTACTS, 004 TO 148 AVAILABLE.
  - LEFT END POWER CONTACTS, 01 TO 20 AVAILABLE.  
MAXIMUM OF 20 POWER CONTACTS PER CONNECTOR.
  - TAIL OPTIONS:  
A = .135 ± 0.010 [3.43 ± 0.25] SOLDER TO BOARD  
C = .135 ± 0.010 [3.43 ± 0.25] PRESS FIT
  - RETENTION TO PCB OPTIONS:  
A = BOARD LOCK (REQUIRES .098 + .002, -.001 [2.48 + 0.05, -0.03] THRU HOLE IN PCB)  
RECOMMENDED ON SYMMETRIC CONNECTORS.  
BOARD LOCK TO BE USED IN CONJUNCTION WITH AN .092 PCB OR THICKER.  
C = NO RETENTION FEATURE.
  - MANUFACTURE'S NAME, P/N, AND DATE CODE TO APPEAR ON THIS SURFACE.
  - THE MAXIMUM OVERALL LENGTH (DIM A) OF A PART IS 8.00 [203.2].
  - PRODUCT SPECIFICATION GS-12-149.
  - REFERENCE 51698 FOR SPECIALS WORKSHEET.
- PCB NOTES:
- ALL DIMENSIONS ARE BASIC UNLESS OTHERWISE SPECIFIED.
  - ALL THROUGH HOLES ARE LOCATED WITH A TRUE POSITION OF .004 [0.01]
  - ALL HOLE DIAMETERS ARE FINISHED HOLE SIZE.
  - 0.0453 ± .001 [1.151 ± .02] DRILLED HOLES PLATED WITH 0.0003 [0.007] MIN SnPb OVER 0.001 [1.03] TO .003 [0.08] PLATING TO ACHIEVE A .040 ± .003 [1.02 ± .08] HOLE.
  - A SYMBOL WILL BE NEXT TO ANY DIMENSION, VIEW, OR NOTE WHICH HAS BEEN MODIFIED WITH THE CURRENT DRAWING REVISION.

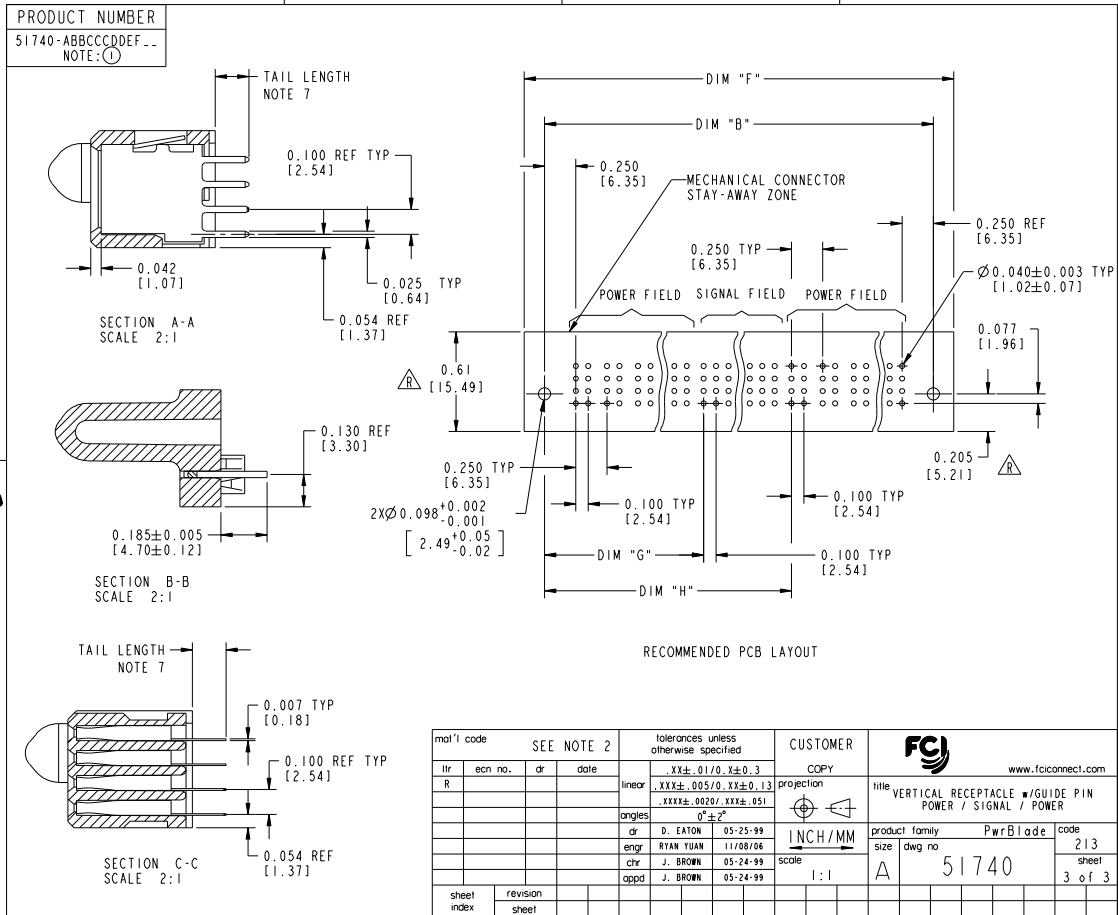
|             |                |            |                                       |            |   |
|-------------|----------------|------------|---------------------------------------|------------|---|
| mat'l code  |                | SEE NOTE 2 | tolerances unless otherwise specified | CUSTOMER   | www.fciconnect.com<br>title VERTICAL RECEPTACLE #/GUIDE PIN<br>POWER / SIGNAL / POWER |
| ltr         | ecm no.        | dr         | date                                  | COPY       |   |
| R           |                |            |                                       | projection | product family PwrBlade code 213<br>size dwg no 51740 sheet 2 of 3                    |
|             |                |            |                                       | INCH/MM    |   |
|             |                |            |                                       | scale 1:1  |   |
| sheet index | revision sheet |            |                                       |            |   |

|       |       |                 |   |
|-------|-------|-----------------|---|
| 1   2 | Pro/E | 3               | 4 |
|       |       | cage code 22526 |   |

Tous droits strictement réservés. Reproduction ou communication, en des lieux interdite sans aucune forme que ce soit sans autorisation écrite du propriétaire. Propriété de FCI. Droits de reproduction FCI.



All rights strictly reserved. Reproduction or issue in any form anywhere is not permitted without written authority from the proprietor. Property of FCI. Copyright FCI.



|             |                |            |                                       |   |  |
|-------------|----------------|------------|---------------------------------------|---|--|
| mat'l code  |                | SEE NOTE 2 | tolerances unless otherwise specified | CUSTOMER  | www.fciconnect.com<br>title VERTICAL RECEPTACLE #/GUIDE PIN POWER / SIGNAL / POWER |
| ltr         | ecm no.        | dr         | date                                  | COPY  |  |
| R           |                |            |                                       | linear .XX±.01/0.XX±0.3<br>.XXX±.005/0.XX±0.13<br>.XXX±.0020/.XXX±.051                            | projection   |
|             |                |            |                                       | angles 0°±2°  | INCH/MM  |
|             |                |            |                                       | dr D. EATON 05-25-99<br>enr RYAN TUAN 11/08/06<br>chr J. BROWN 05-24-99<br>appd J. BROWN 05-24-99 | product family PwrBlade code 213<br>size dwg no 51740 sheet 3 of 3                 |
| sheet index | revision sheet |            |                                       | scale 1:1   | cage code 22526  |