

Excellent Integrated System Limited

Stocking Distributor

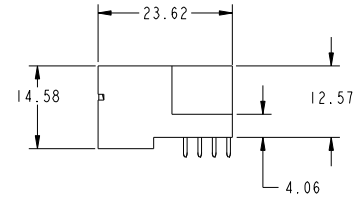
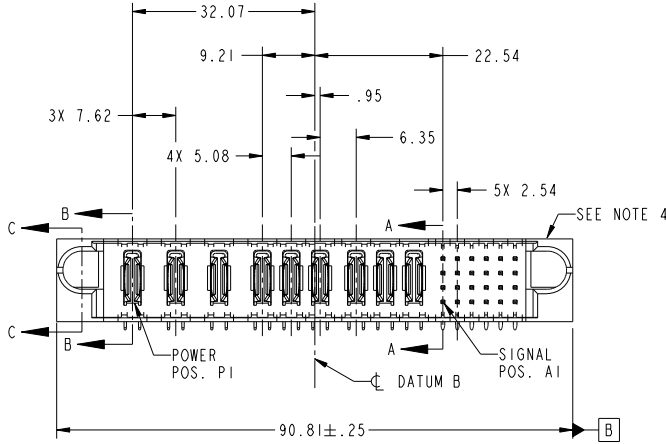
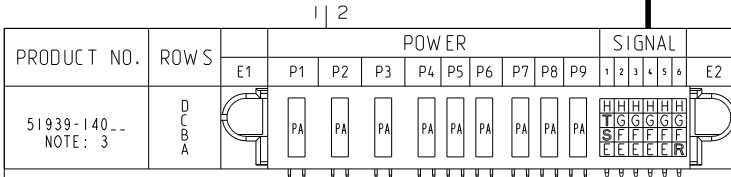
Click to view price, real time Inventory, Delivery & Lifecycle Information:

[FCI](#)
[51939-140LF](#)

For any questions, you can email us directly:
sales@integrated-circuit.com

Tous droits strictement réservés. Reproduction ou communication à des tiers interdite sous quelque forme que ce soit sans autorisation écrite du propriétaire. Propriété de FCI. Droits de reproduction FCI.

All rights strictly reserved. Reproduction or issue to third parties in any form whatever is not permitted without written authority from the proprietor. Property of FCI. Copyright FCI.



CODE	DIM "M" MATING LENGTH	CONTACT TYPE
PA	[N/A]	POWER
T	[6.86]	SIGNAL
S	[6.86]	SIGNAL
R	[6.86]	SIGNAL
H	[5.59]	SIGNAL
G	[5.59]	SIGNAL
F	[5.59]	SIGNAL
E	[5.59]	SIGNAL

mat'l code		SEE NOTE		tolerances unless otherwise specified		CUSTOMER			
ltr	ecn no.	dr	date	linear	0.X ± 0.5	COPY	www.fciconnect.com		
A	V04-1024	TAB	10/14/04	projection	0.XX ± 0.25	projection			
B	V04-1181	TAB	12/14/04	angles	0.XXX ± 0.10		title		
C	DG05-0164	SJ	06/29/05		0° ± 2°		title	9P + 24S RIGHT ANGLE SOLDER HEADER	
D	DG05-0415	GuoJM	10/25/05	dr	T. BRUNGARD 10/14/04		product family	PwrBlade	code
E	DG07-0498	JW	09/15/08	enr	M. GRAY 10/14/04		scale	A	51939-140
				chr	M. GRAY 10/14/04		size		sheet
				appd	M. GRAY 10/14/04		dwg no		1 of 4
sheet index	revision sheet	E	E	E	E				
		1	2	3	4				

1 | 2

Pro/E

PDM: Rev:E

STATUS: **Released**

Printed: Dec 20, 2010

cage code 22526

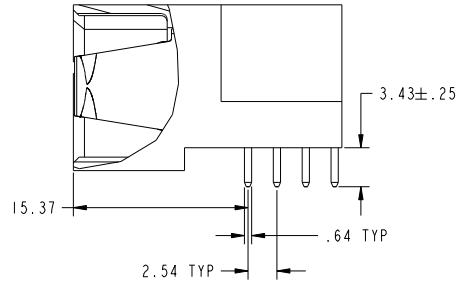
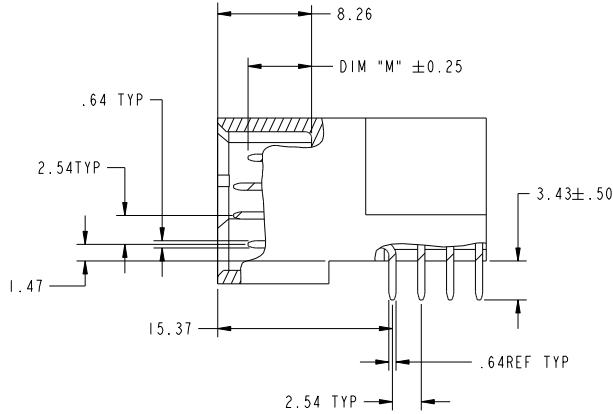
4

Tous droits strictement réservés. Reproduction ou communication à des tiers interdite sous quelque forme que ce soit sans autorisation écrite du propriétaire. Propriété de FCI. Droits de reproduction FCI.



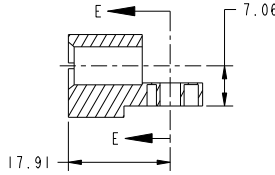
All rights strictly reserved. Reproduction or issue to third parties in any form whatsoever is not permitted without written authority from the proprietor. Property of FCI. Copyright FCI.

PRODUCT NUMBER
51939-140
NOTE: 3

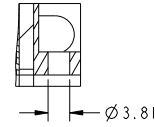


BROKEN-OUT SECTION B-B
SCALE 2:1

BROKEN-OUT SECTION A-A
SCALE 2:1



SECTION C-C



PARTIAL SECTION E-E

mat'l code		SEE NOTE		tolerances unless otherwise specified		CUSTOMER		FCI	
ltr	ecn no.	dr	date	linear	0.X ±0.5	projection	COPY	www.fciconnect.com	
E					0.XX ±0.25			title	
				angles	0.XXX ±0.10			9P + 24S	
				dr	0° ±2°	MM	product family	PwrBlade	code
				enr	T. BRUNGARD 10/14/04	scale	size	dwg no	213
				chr	M. GRAY 10/14/04	1:1	A	51939-140	sheet
				appd	M. GRAY 10/14/04				2
sheet index	revision sheet								

1 | 2

Pro/E

PDM: Rev:E

STATUS: Released

Printed: Dec 20, 2010

1 | 2

3 |

4

A

A

B

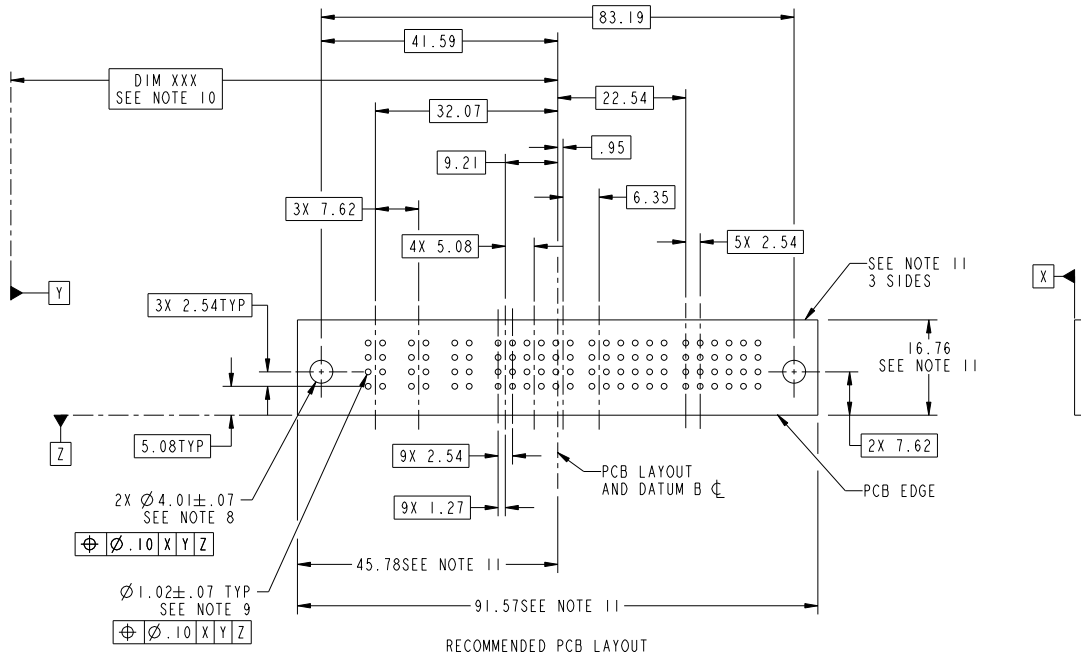
B

Tous droits strictement réservés. Reproduction ou communication à des tiers
interdite sous quelque forme que ce soit sans autorisation écrite du propriétaire.
Propriété de c FCI. Droits de reproduction FCI.



All rights strictly reserved. Reproduction or issue to third parties in any
form whatever is not permitted without written authority from the proprietor.
Property of FCI. Copyright FCI.

PRODUCT NUMBER
51939-140...
NOTE: 3



mat'l code		SEE NOTE		tolerances unless otherwise specified		CUSTOMER	
ltr	ecn no.	dr	date	linear	0.X ± 0.5	COPY	www.fciconnect.com
E				angular	0.XX ± 0.25	projection	
				angles	0.XXX ± 0.10		title
				dr	0° ± 2°		
				enr	T. BRUNGARD 10/14/04	MM	product family
				chr	M. GRAY 10/14/04	scale	PwrBlade
				appd	M. GRAY 10/14/04	1:1	code
sheet index	revision sheet						213
							51939-140
							3

1 | 2

Pro/E

PDM: Rev:E

STATUS: **Released**

Printed: Dec 20, 2010

Tous droits strictement réservés. Reproduction ou communication à des tiers interdite sous quelque forme que ce soit sans autorisation écrite du propriétaire. Propriété de FCI. Droits de reproduction FCI.



All rights strictly reserved. Reproduction or issue to third parties in any form whatsoever is not permitted without written authority from the proprietor. Property of FCI. Copyright FCI.

PRODUCT NUMBER
51939-140..
NOTE: 3

NOTES:

1. DIMENSIONS AND TOLERANCES ARE IN ACCORDANCE WITH ASME Y14.5M, 1994 UNLESS OTHERWISE SPECIFIED.

CONNECTOR NOTES:

2. HOUSING MATERIAL: UL 94 V-0 GLASS FILLED HIGH-TEMP THERMOPLASTIC
 POWER CONTACT MATERIAL: COPPER ALLOY
 SIGNAL PIN MATERIAL: COPPER ALLOY

△3. PLATING:
SEE ITEM 1 & 2 IN PRINT 10064183 FOR PLATING SPEC OF 51939-140; 51939-140LF PRESPECTIVELY

4. MANUFACTURER'S NAME, P/N, AND DATE CODE TO APPEAR ON THIS SURFACE.

5. PRODUCT SPECIFICATION GS-12-149.
APPLICATION SPECIFICATION BUS-20-067.

6. PACKAGED IN TRAYS.

PCB NOTES:

7. ALL HOLE DIAMETERS ARE FINISHED HOLE SIZE.

8. MOUNTING HOLES, WHERE APPLICABLE, ARE UNPLATED.

10. $\varnothing 1.151 \pm 0.025$ DRILLED HOLES PLATED WITH 0.008 MIN SnPb OR Sn OVER 0.03 TO 0.08 Cu PLATING TO ACHIEVE $\varnothing 1.02 \pm .07$ HOLE.

11. "DIM XXX" TO BE DETERMINED BY THE CUSTOMER.

12. CONNECTOR KEEP-OUT ZONE.

13 A/E SYMBOL WILL BE NEXT TO ANY DIMENSION, VIEW, OR NOTE WHICH HAS BEEN MODIFIED WITH THE CURRENT DRAWING REVISION.

mat'l code		SEE NOTE		tolerances unless otherwise specified		CUSTOMER		FCI	
ltr	ech no.	dr	date	linear	angular	projection	copy	title	www.fciconnect.com
E				$0.X \pm 0.5$	$0.XX \pm 0.25$			9P + 24S	
				$0.XXX \pm 0.10$	$0^\circ \pm 2^\circ$			RIGHT ANGLE SOLDER HEADER	
		dr	T. BRUNGARD	10/14/04				product family PwrBlade	code 213
		enr	M. GRAY	10/14/04		scale 1:1		size dwg no	sheet 4
		chr	M. GRAY	10/14/04				A 51939-140	
		appd	M. GRAY	10/14/04					
sheet index	revision sheet								

1 | 2

Pro/E

PDM: Rev:E

STATUS: **Released**

Printed: Dec 20, 2010

1 | 2

3 |

4

A

A

B

B